

TRACK & RIG INSTALLATION

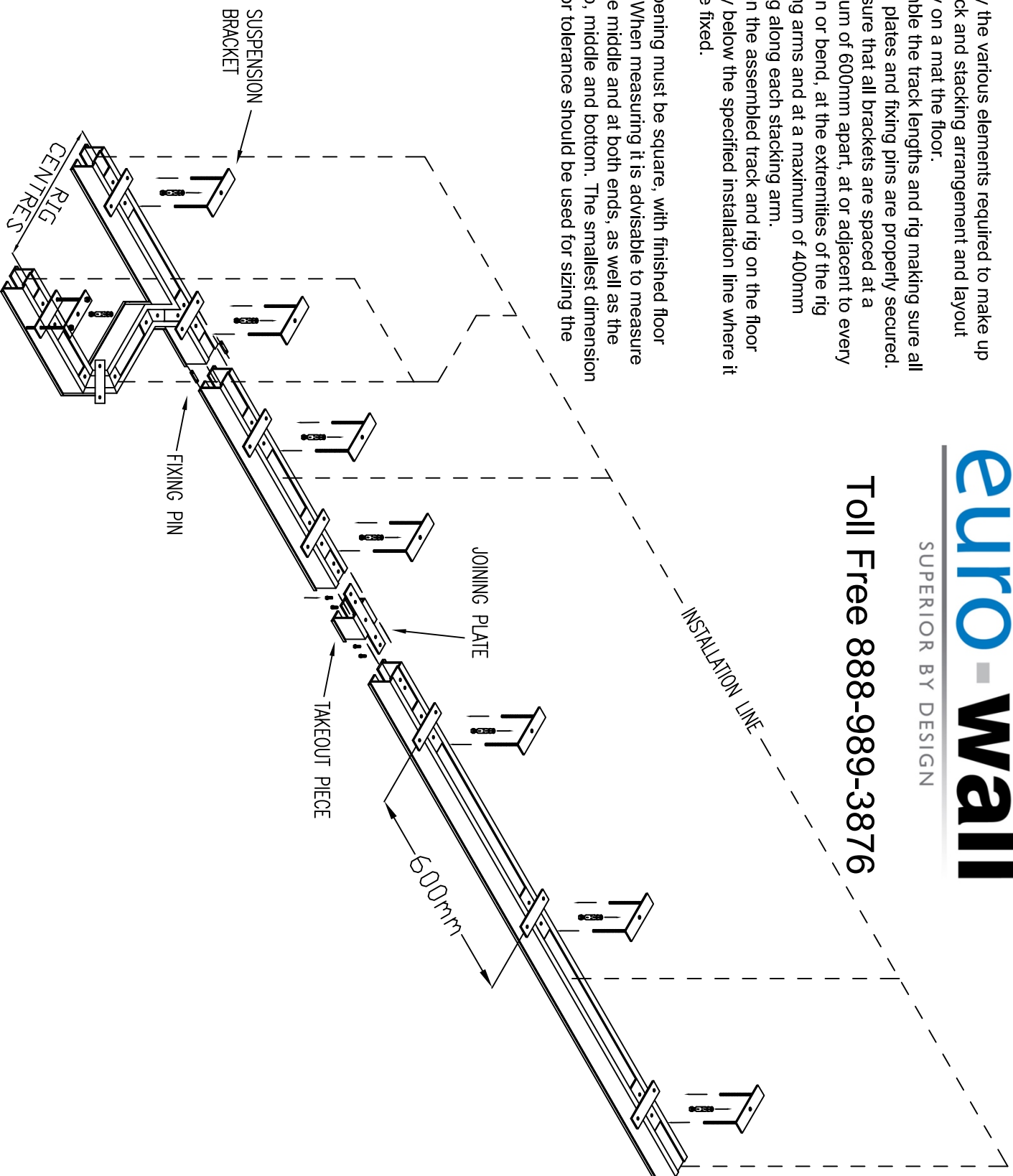
1. Identify the various elements required to make up the track and stacking arrangement and layout loosely on a mat the floor.
2. Assemble the track lengths and rig making sure all joining plates and fixing pins are properly secured.
3. Make sure that all brackets are spaced at a maximum of 600mm apart, at or adjacent to every junction or bend, at the extremities of the rig stacking arms and at a maximum of 400mm spacing along each stacking arm.
4. Position the assembled track and rig on the floor directly below the specified installation line where it is to be fixed.

NOTE: The opening must be square, with finished floor perfectly level. When measuring it is advisable to measure the height in the middle and at both ends, as well as the width at the top, middle and bottom. The smallest dimension minus 10mm for tolerance should be used for sizing the doors.

euro-wall

SUPERIOR BY DESIGN

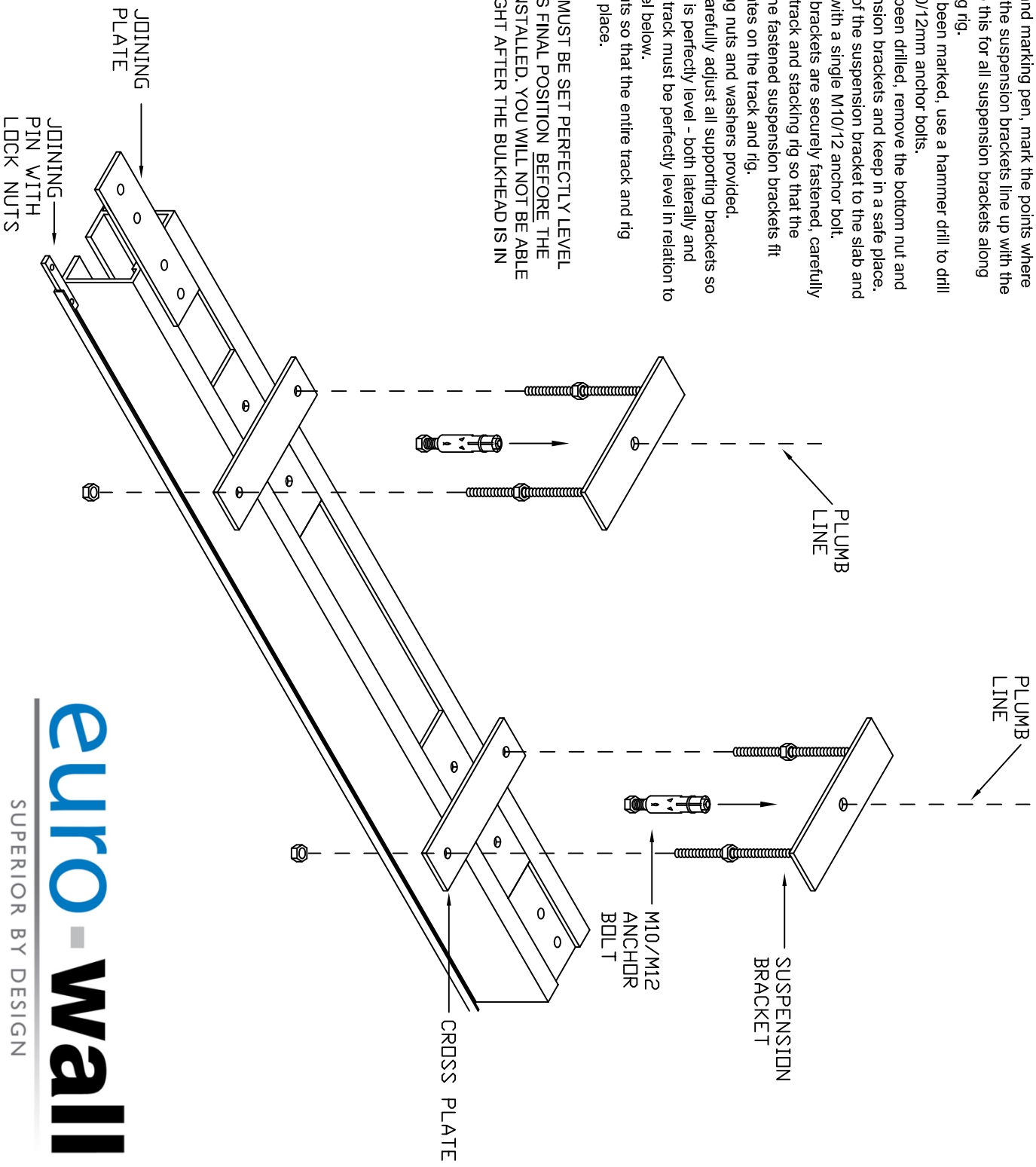
Toll Free 888-989-3876

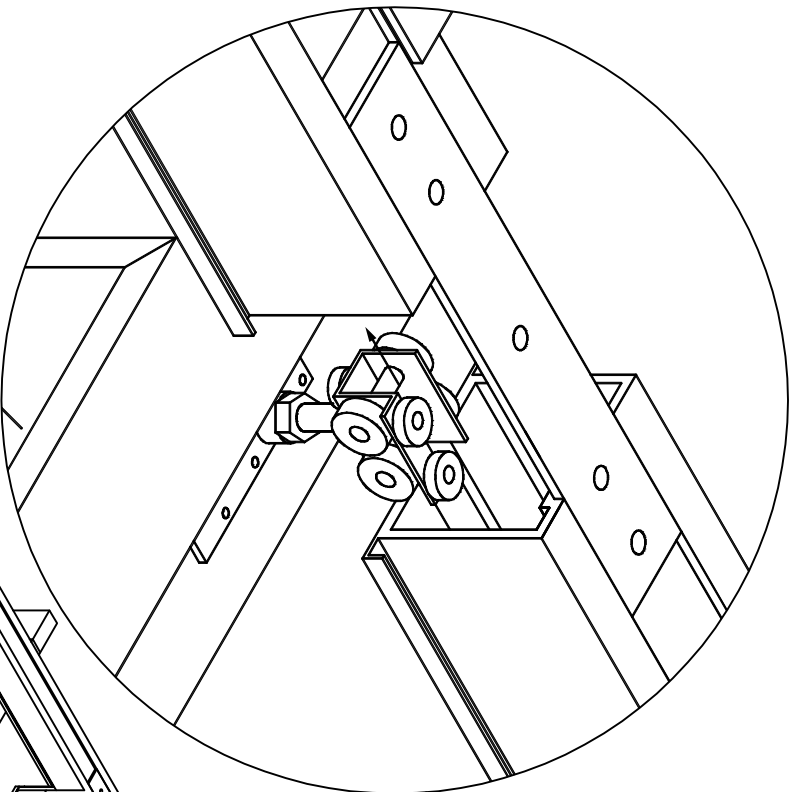


TRACK & RIG INSTALLATION cont...

5. Using a plumb bob and marking pen, mark the points where the threaded rods of the suspension brackets line up with the concrete support. Do this for all suspension brackets along the track and stacking rig.
6. Once all points have been marked, use a hammer drill to drill holes to suit either 10/12mm anchor bolts.
7. Once all holes have been drilled, remove the bottom nut and washers from suspension brackets and keep in a safe place. Position the top half of the suspension bracket to the slab and fix securely in place with a single M10/12 anchor bolt.
8. Once all suspension brackets are securely fastened, carefully raise the assembled track and stacking rig so that the threaded rods from the fastened suspension brackets fit through the cross plates on the track and rig.
9. Secure the track using nuts and washers provided.
10. Using a spirit level, carefully adjust all supporting brackets so that the track and rig is perfectly level - both laterally and along its length. The track must be perfectly level in relation to the finished floor level below.
11. Secure all bracket nuts so that the entire track and rig assembly is rigidly in place.

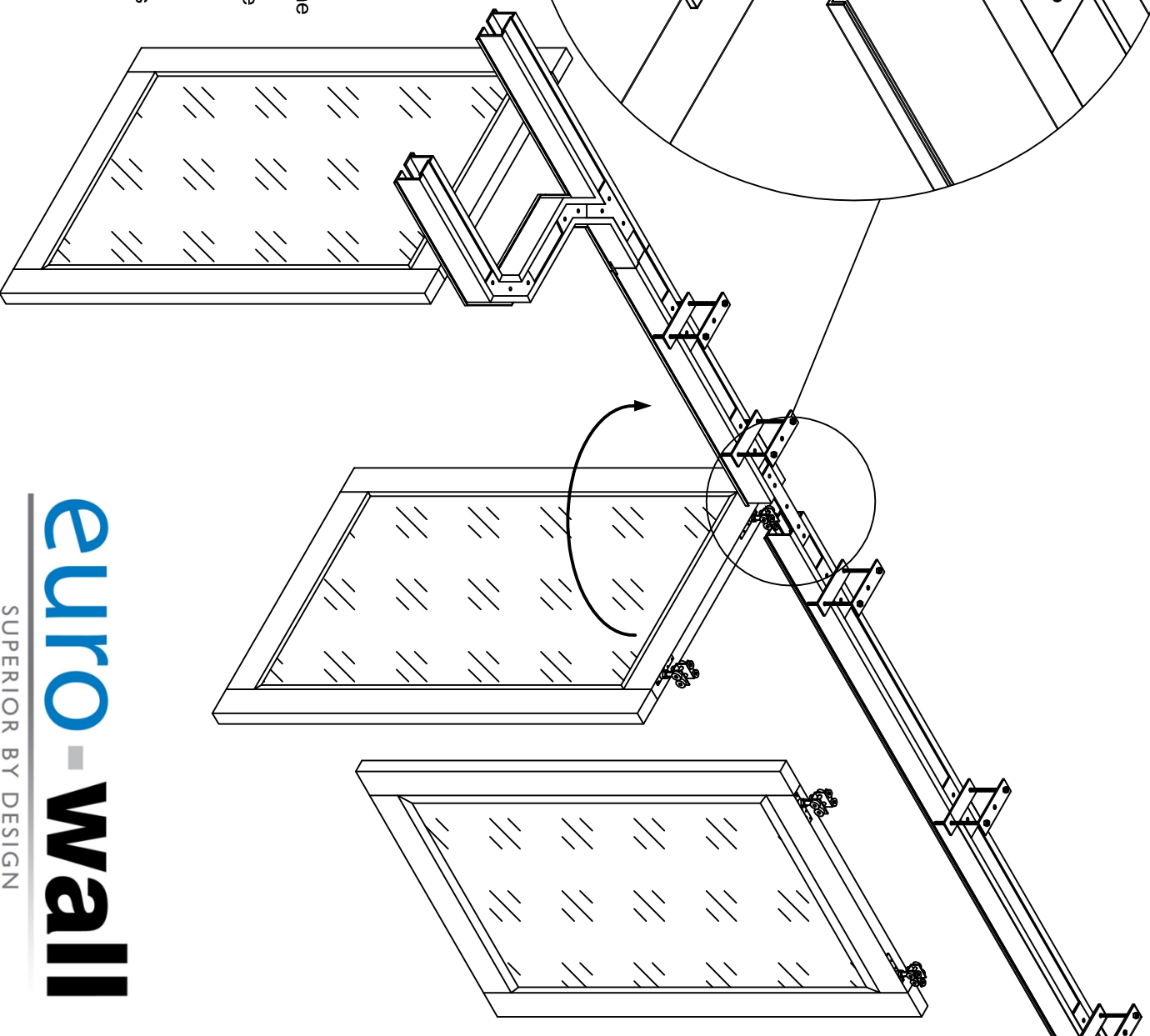
NOTE: THE TRACK AND RIG MUST BE SET PERFECTLY LEVEL AND SECURELY FIXED IN ITS FINAL POSITION BEFORE THE CEILING OR BULKHEAD IS INSTALLED. YOU WILL NOT BE ABLE TO ADJUST THE TRACK HEIGHT AFTER THE BULKHEAD IS IN PLACE.



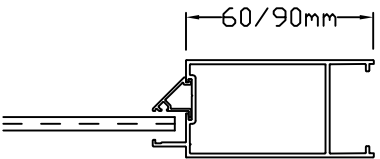
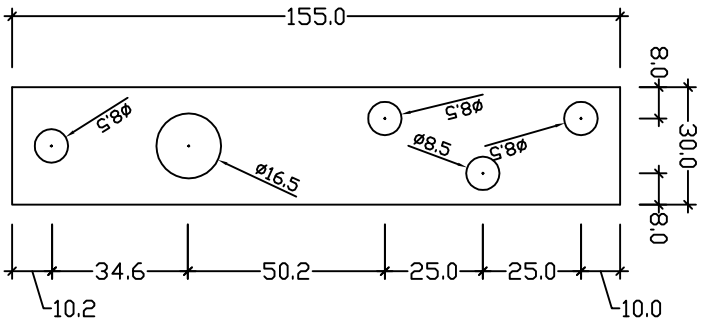


DOOR INSTALLATION

1. Carefully remove takeout piece by loosening securing bolts inside the track.
2. Lift the door and insert the hanger as shown making sure that the guide bearings are facing the correct side. The positions of the guide bearings determine which way the doors enter and exit the rig/parking bay.
3. Rotate the door and insert the second hanger. Once the hanger are in the track, slide the door into the stacking rig to make sure the door stacks correctly.
4. Repeat steps 2 & 3 for each door.
5. Replace takeout piece making sure it is securely fastened



TOP PLATE HOLE DETAILS



HANGER FIXING

1. Hangers and top plates need to be fixed to the top door rail before fitting and assembling the door siles.
 2. Cut the top rail to the specified width and mark and drill holes according to top plate details (see fig A)
 3. Secure hangers to top rail using 6mm bolts and nuts.
 4. Hangers must be positioned on the doors at the correct centres as per the manufactured drawing.
- NOTE: HEIGHT ADJUSTMENT WILL ONLY BE DONE ONCE THE DOORS ARE INSTALLED.**

