



euro-wall®

Euro-Wall Interior Products Overview

Folding | Sliding | Pivot | Storefront



EURO INTRA FOLD™ ALUMINUM FOLDING DOORS

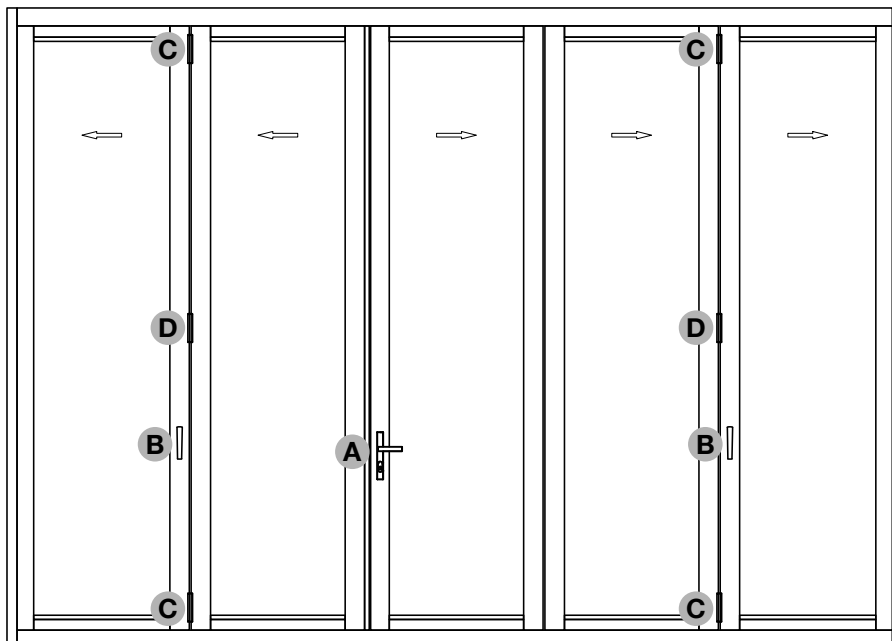
The Euro Intra Fold™ aluminum door system provides unobstructed views and seamless transitions. Euro-Wall folding doors systems can span heights up to 168”, widths up to 52”, can be configured as a radius or postless corner systems and can span any opening width with an unlimited number of sequential panels. For projects that go beyond the given specifications please contact your sales agent for consultation.

PANEL MINIMUM / MAXIMUM

| | | | |
|-------------------|---------|-------------------|-----------|
| Max Panel Weight: | 350 lbs | Min Panel Height: | 32” |
| Min Panel Width: | 18” | Max Panel Height: | 168” |
| Max Panel Width: | 52” | Max Sq Ft: | 415 sq ft |

OVERVIEW DIAGRAM

Interior View



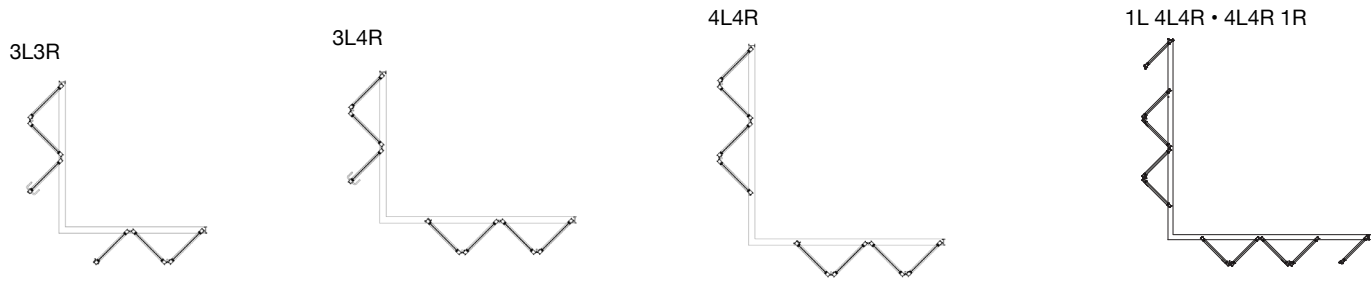
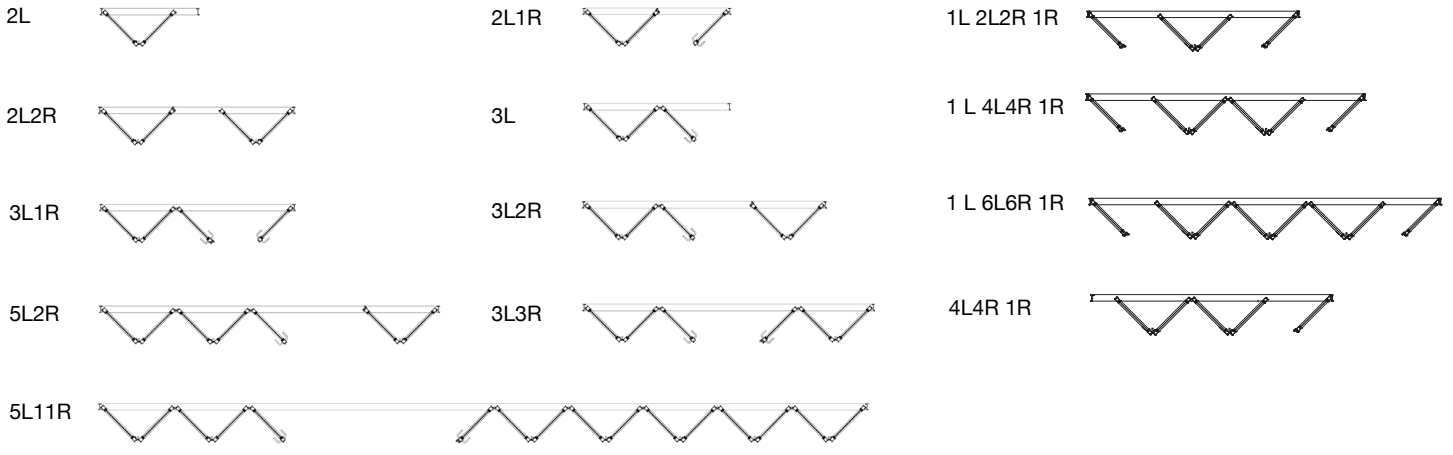
- A** Multipoint Handle
- B** Twinpoint Lever
- C** Modified Hinge
- D** D Pull Handle

Exterior View

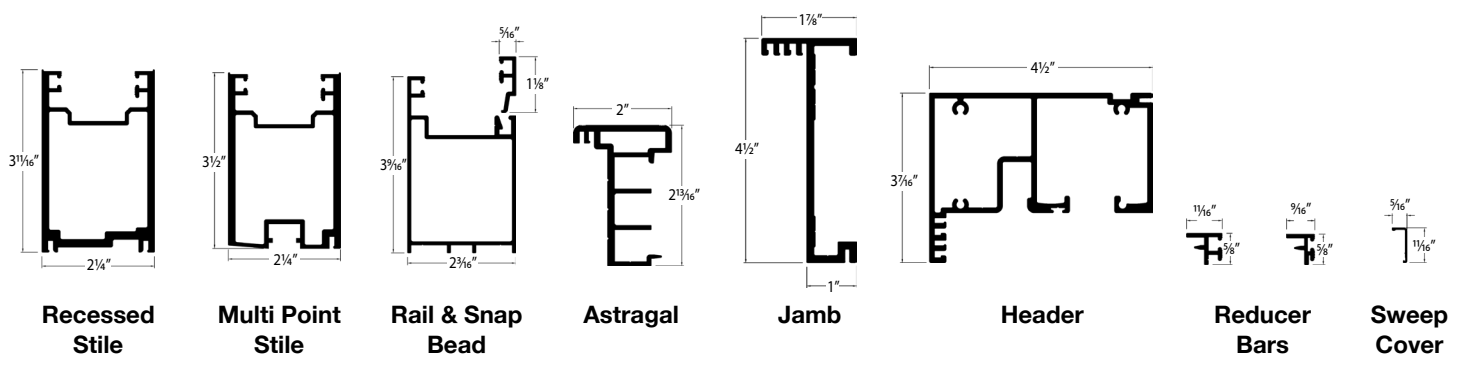


- A** Multipoint Handle
- B** Upper Jamb Hinge
- C** Lower Jamb Hinge
- D** Center Wall Pivot
- E** Upper Intermediate Carrier
- F** Lower Intermediate Carrier
- G** Upper Carrier
- H** Lower Carrier
- I** Modified Hinge

CONFIGURATIONS

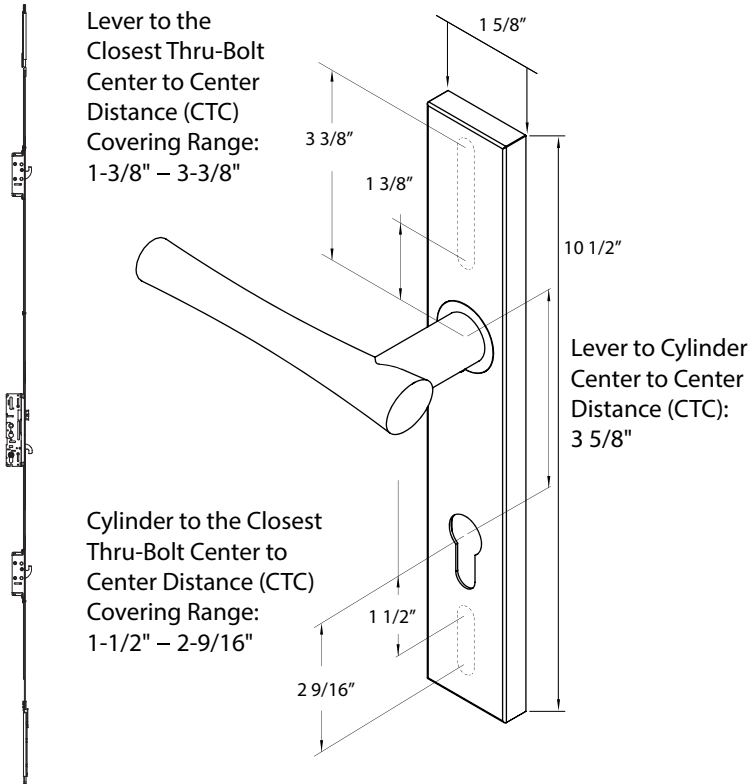


EXTRUSION PROFILES



HANDLES

Multi Point 5 Point Locking Handle

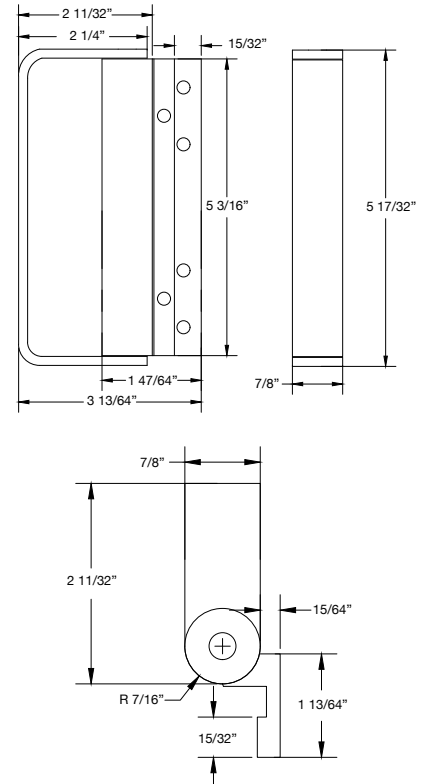


Details of multi point lock continued on pg. 5



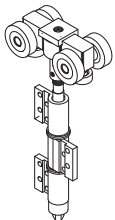
PULL HARDWARE

D Pull Handle

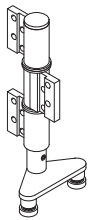


HINGES

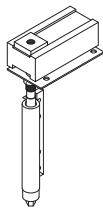
Upper Intermediate Carrier



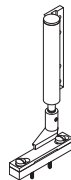
Lower Intermediate Carrier



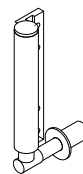
Upper Jamb Hinge



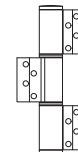
Lower Jamb Hinge



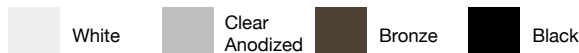
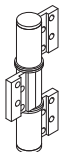
Center Wall Pivot

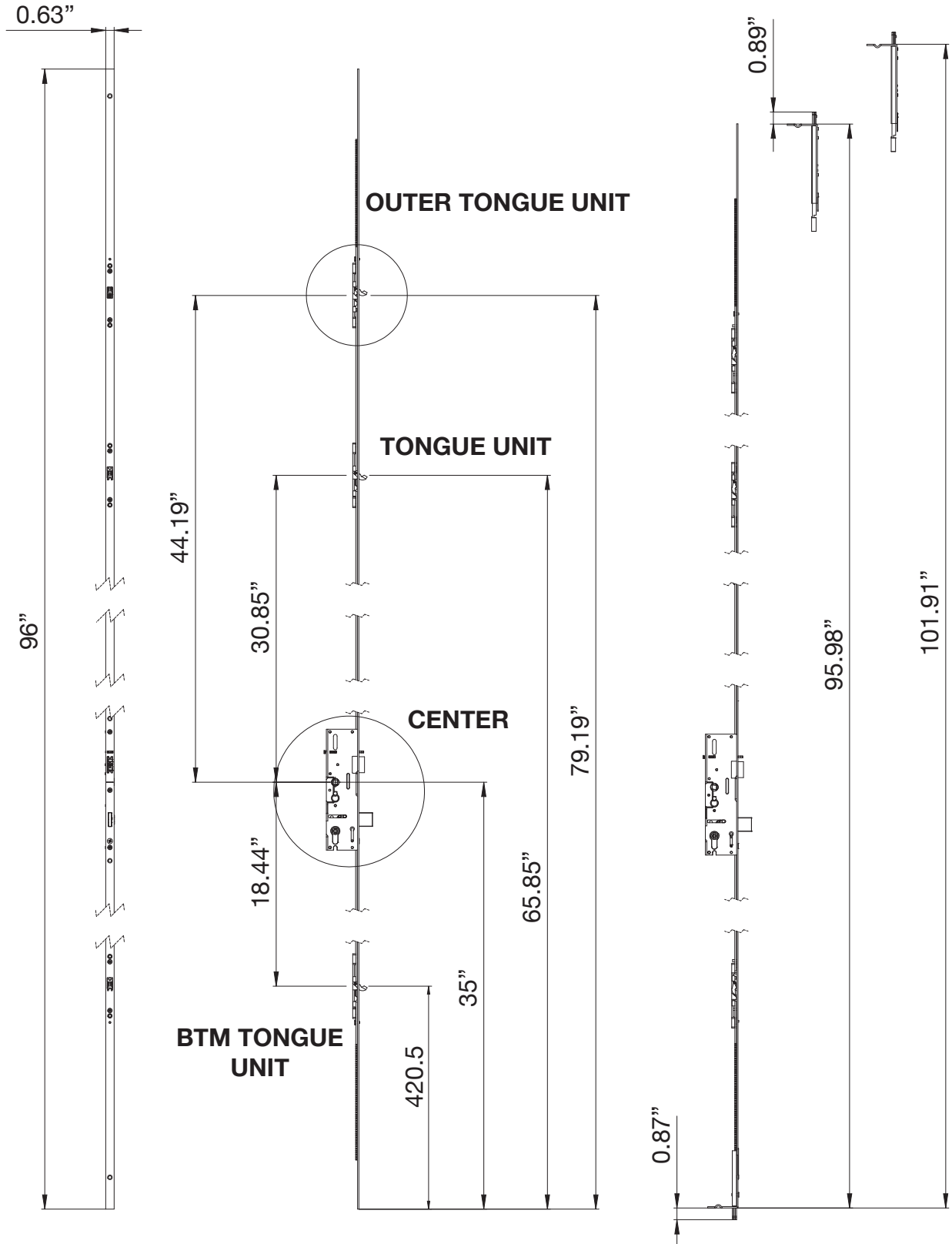


Straight Hinge



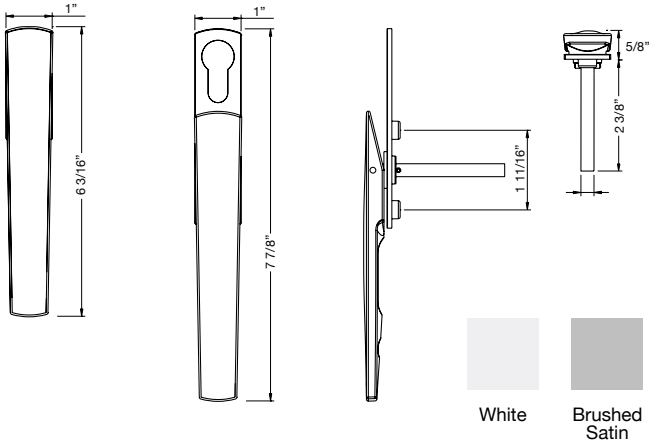
Modified Hinge



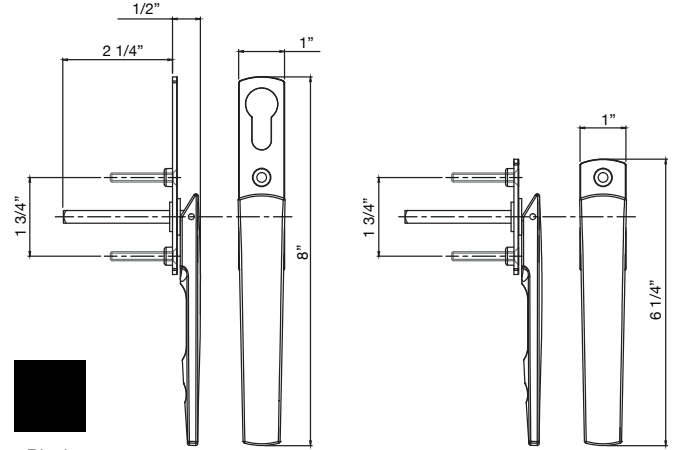


LOCKS

Twinpoint Lever



Twinpoint Lever Short



Thumb Turn Locks



50mm Single Sided • Twinpoint Lever
Euro Cylinder Key
Use: Exterior Locking Only



Satin Nickel



70mm Double Sided • Twinpoint Lever
Euro Cylinder Key / Thumb Turn
Use: Swing Door or Special Request



Satin Nickel



70mm Double Sided • Twinpoint Lever
Euro Cylinder Key / Key
Use: Standard Option



Satin Nickel



90mm Double Sided • Multi Point Handle
Euro Cylinder Key / Thumb Turn
Use: Standard Option
Finish: Satin Nickel, Bronze, Polished, Black



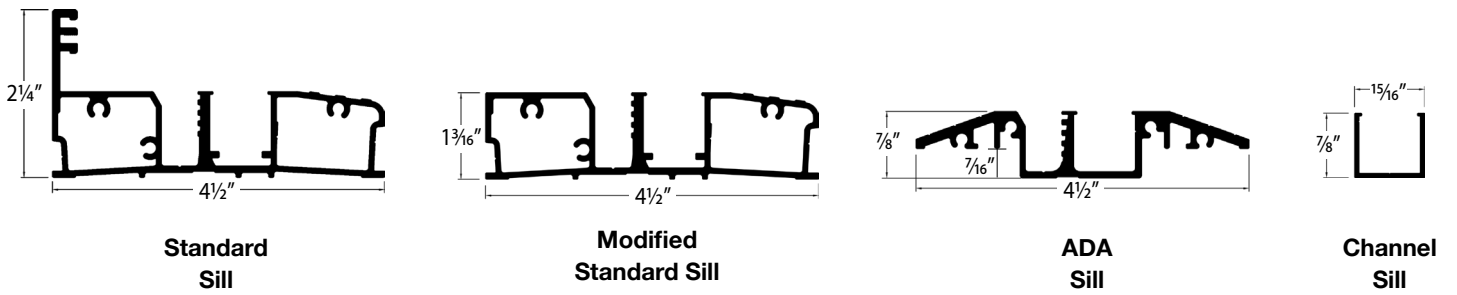
Satin Nickel

Polished

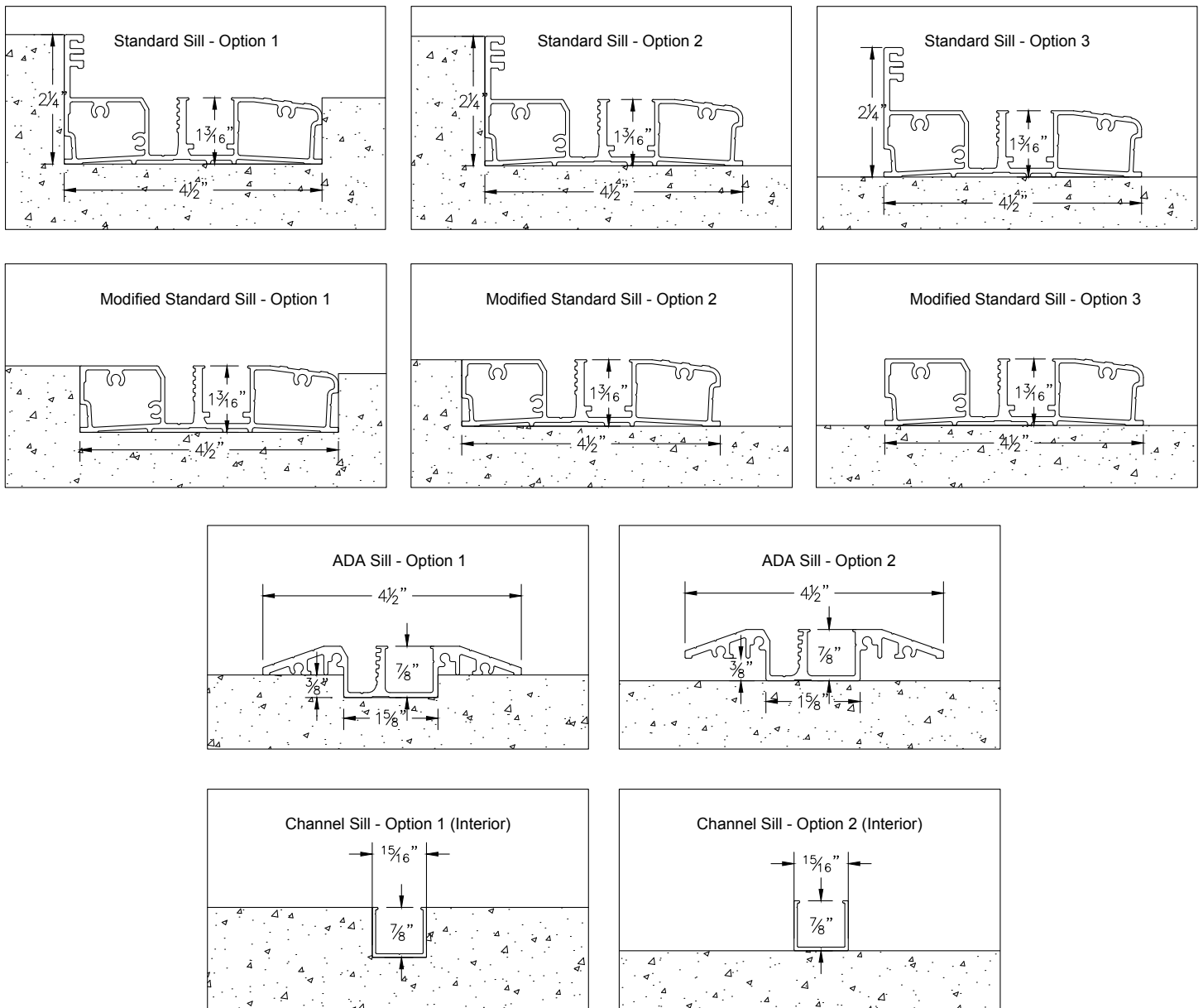
Bronze

Black

SILLS



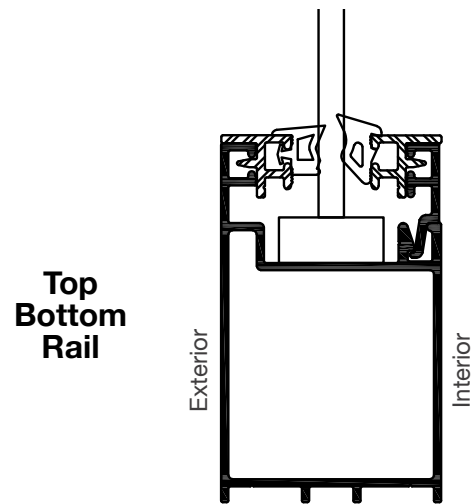
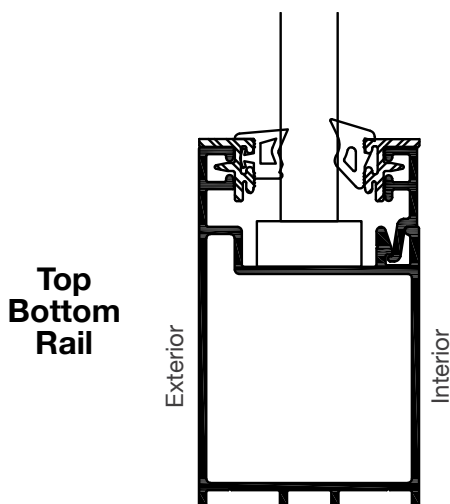
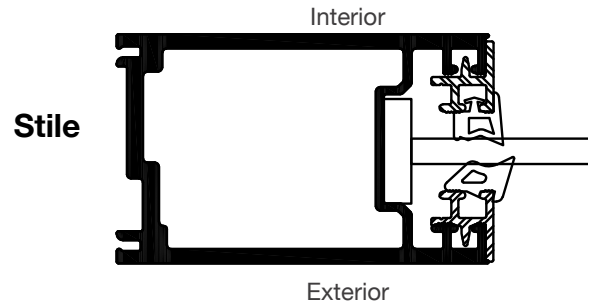
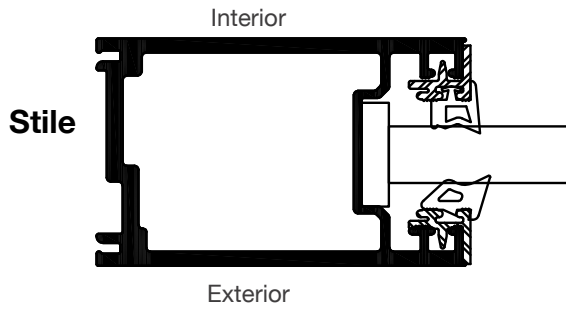
EMBED OPTIONS



GLAZING DETAILS

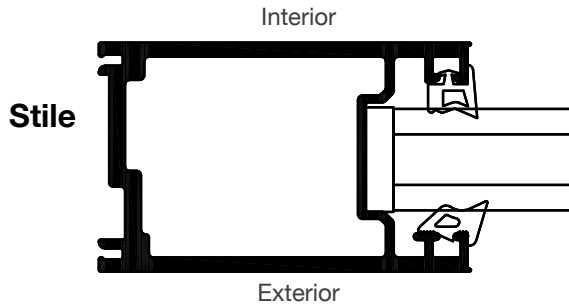
1/2" Tempered Glass

1/4" Monolithic Glass

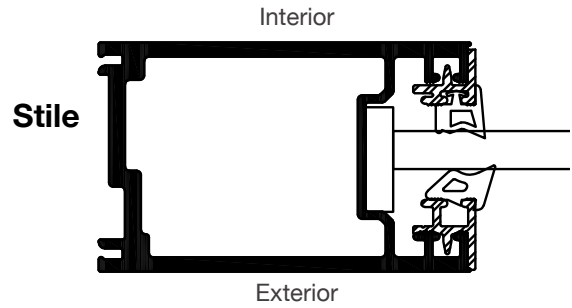


GLAZING DETAILS

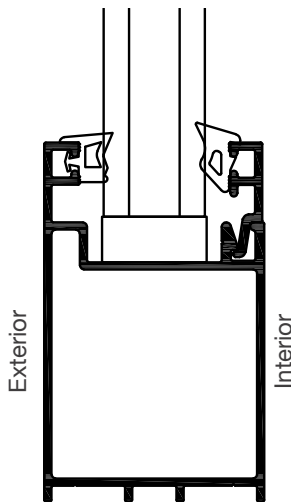
1" IG Non-Impact Glass



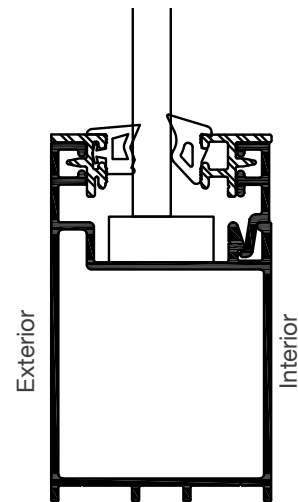
3/8" Tempered Glass



Top
Bottom
Rail



Top
Bottom
Rail



STC TESTING

Type: 1" IG Imp Clear PVB - STC

Makeup: 3/16 CL Temp - 1/2 Spacer - 3/16 CL HS \ .060PVB \ 3/16 CL HS

34
Standard Sill

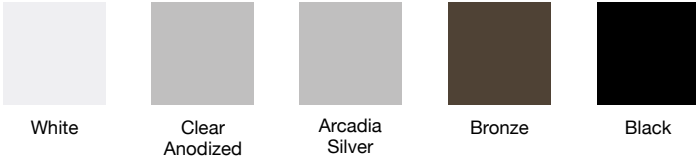
32
Modified Sill

32
ADA Sill

32
Channel Sill

FINISH OPTIONS

Standard Finishes



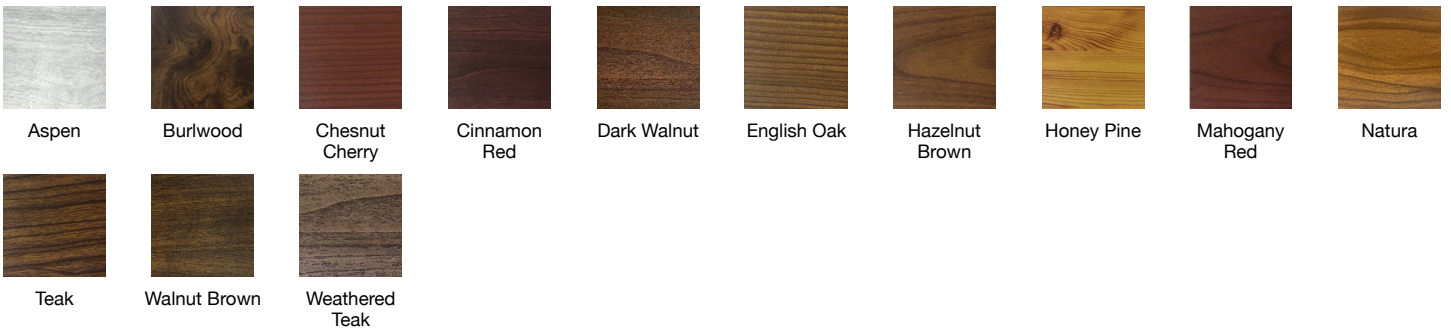
Standard Wood Finishes



Exotic Wood Finishes

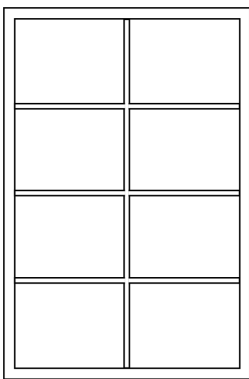


Faux Wood Grain Finishes

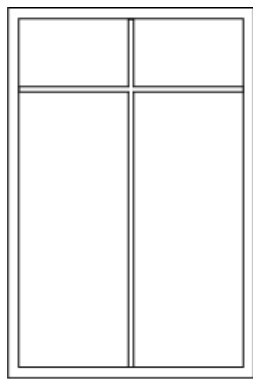


GRID OPTIONS

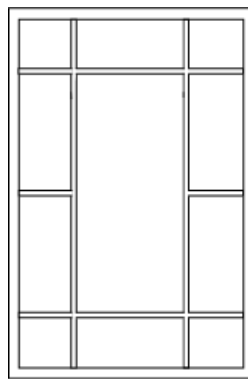
These muntin configurations are just a few examples of the numerous possibilities. All configurations are available in aluminum or wood.



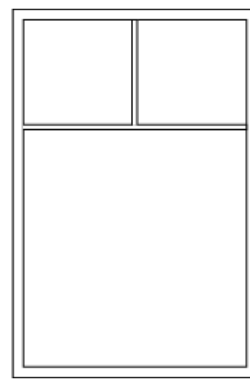
Traditional Grid



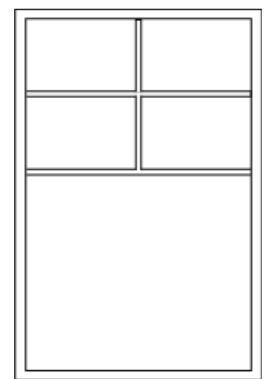
Cross Grid



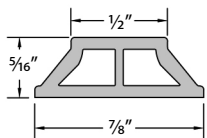
English Grid



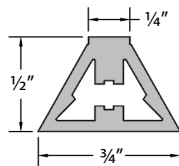
Ladder



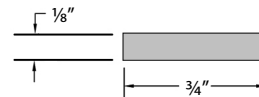
Double Ladder



7/8" OG MUNTIN



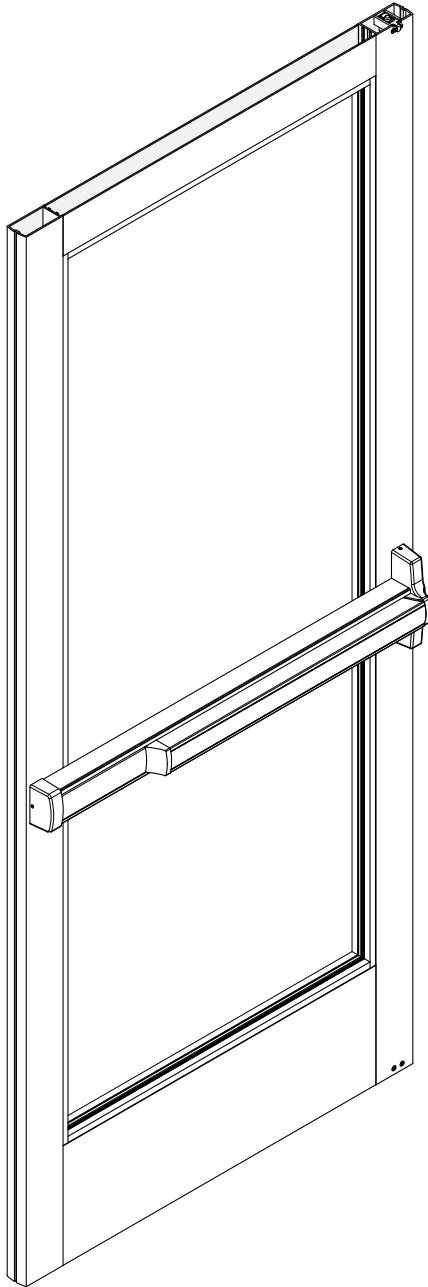
3/4" STANDARD MUNTIN



3/4" FLAT MUNTIN

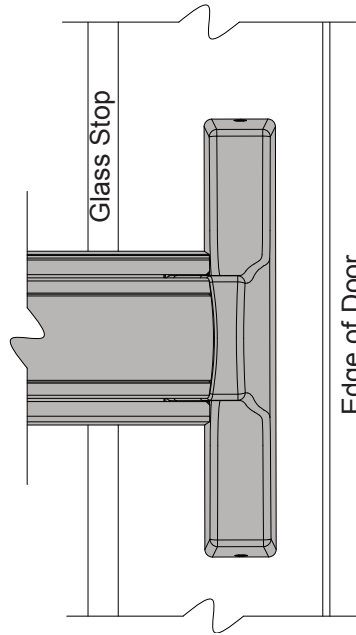
NOTE: Additional muntin profiles available upon request. The 3/4" flat muntin is primarily used for sliding doors, however if your project has folding and sliding doors this muntin will be used to make them all match.

ADA - PANIC BARS

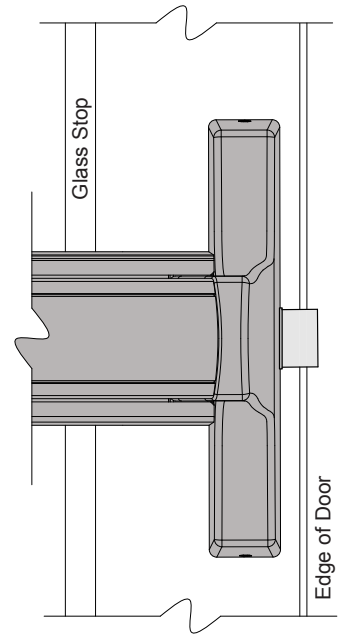


Interior Access

Two Component / Astragal Condition

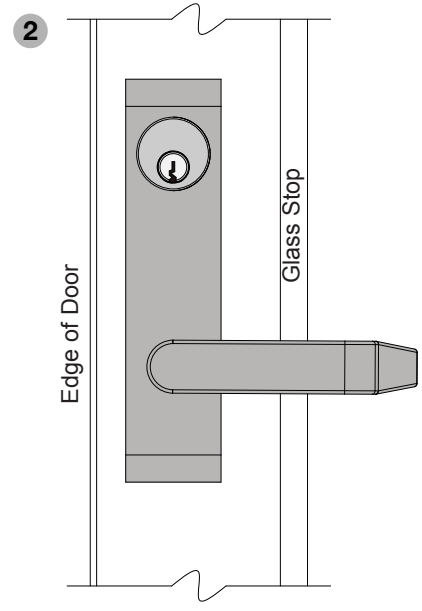
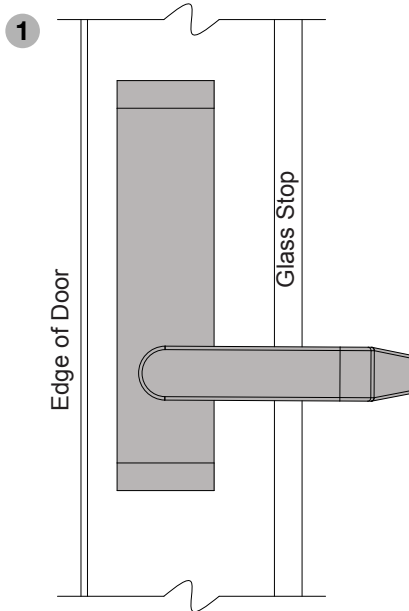


Single Components Condition

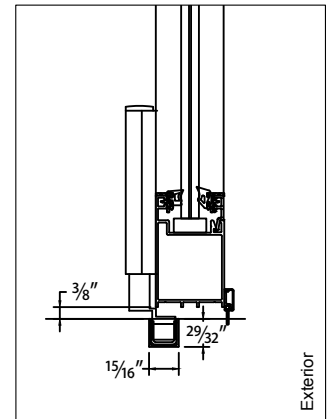
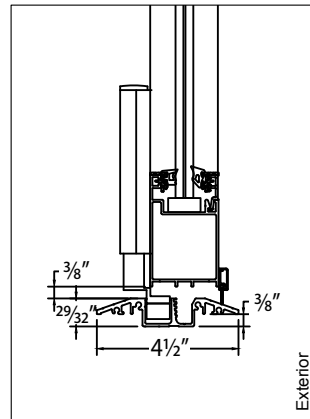
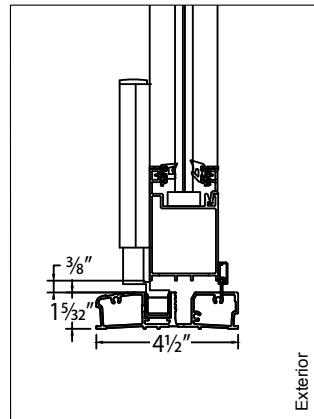
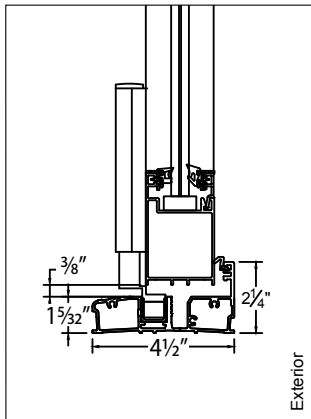
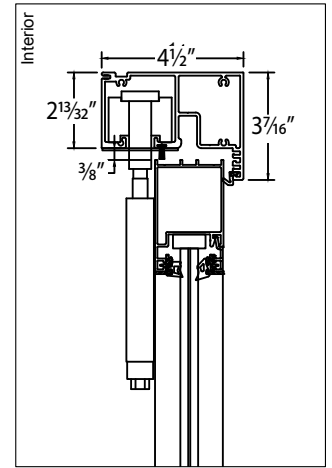
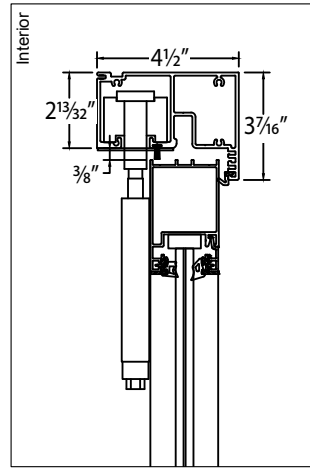
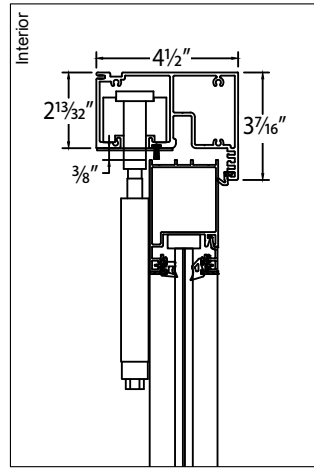
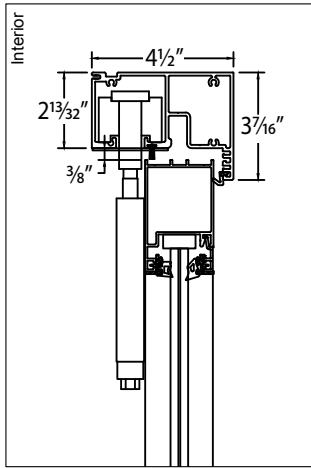


Exterior Access

Note: Optional to have no exterior access.



ELEVATION DETAILS

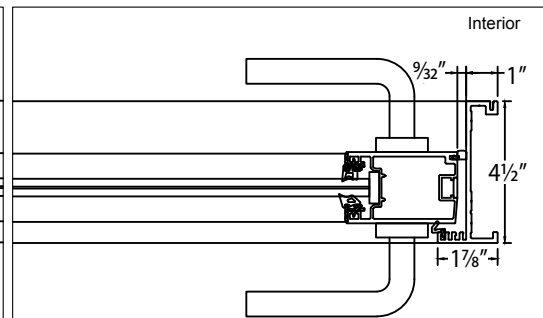
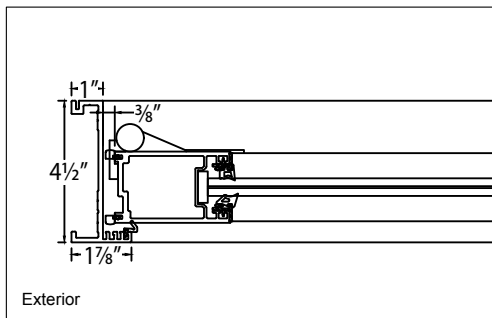


Standard Sill

Modified Sill

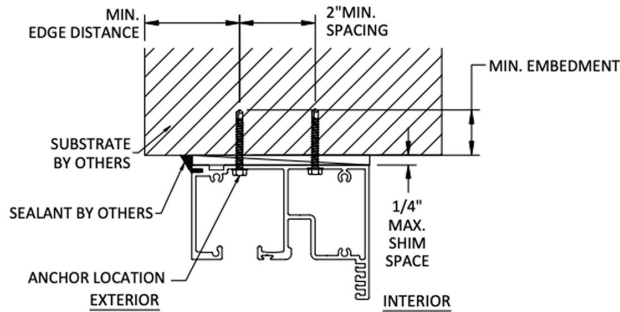
ADA Sill

Channel Sill

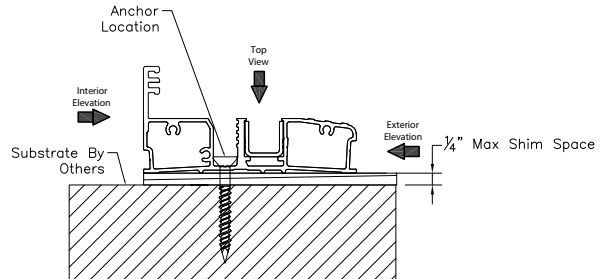


ANCHOR DETAILS

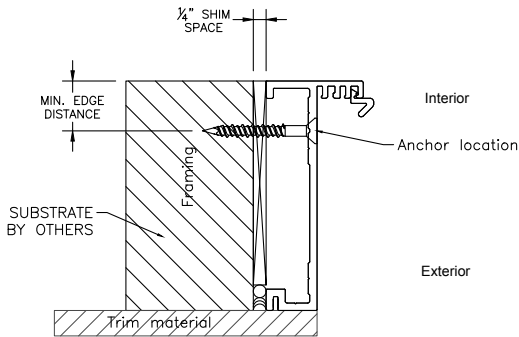
*This is a top hung system, appropriate header and substrate needed for door system support and anchoring.



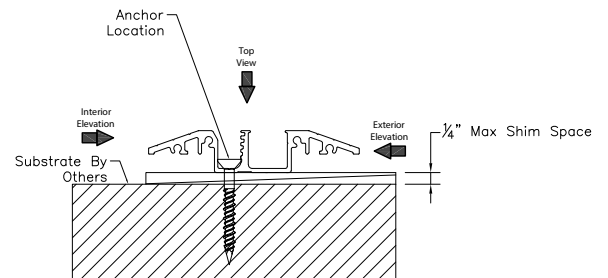
ANCHOR DETAIL
HEAD - THROUGH FRAME



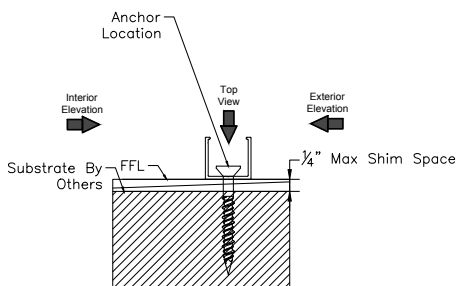
ANCHOR DETAIL
STANDARD SILL - THROUGH FRAME
INSWING/OUTSWING



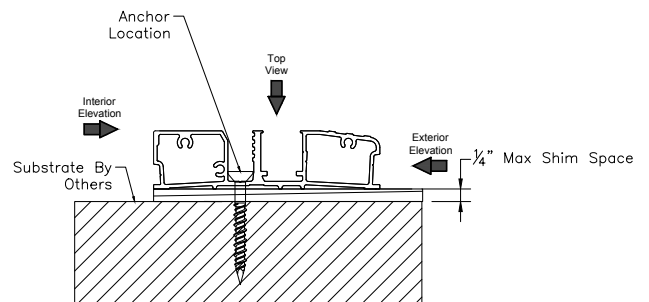
ANCHOR DETAIL
JAMBS - THROUGH FRAME



ANCHOR DETAIL
ADA SILL - THROUGH FRAME



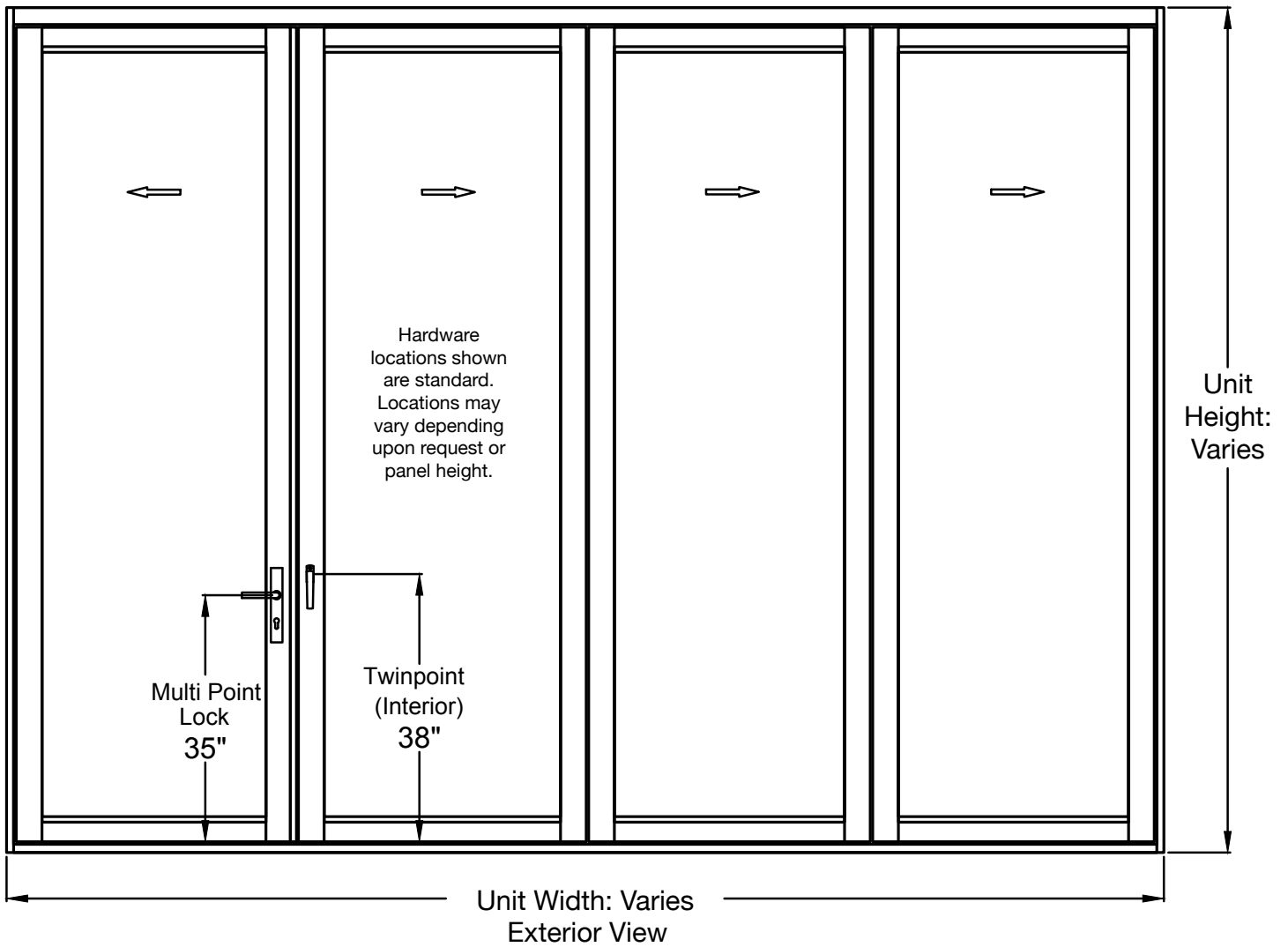
ANCHOR DETAIL
CHANNEL SILL - THROUGH FRAME



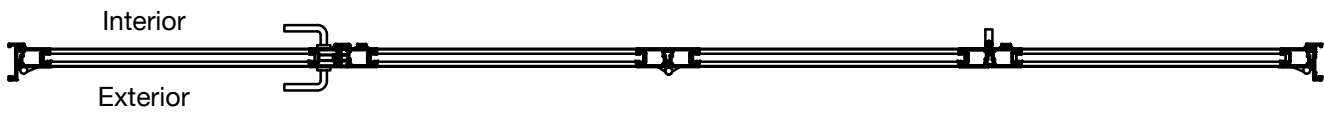
ANCHOR DETAIL
MODIFIED STANDARD SILL - THROUGH FRAME

| ANCHOR SCHEDULE | | | | | |
|-------------------|------------------|---|---------------------------------|---|---------------------|
| INSTALLATION TYPE | QTY PER LOCATION | SUBSTRATE | ANCHOR TYPE | EMBEDMENT (IN.) | EDGE DISTANCE (IN.) |
| THRU FRAME | 2 | WOOD (MIN. S.G. = 0.55) | #14 WOOD SCREW | 1.5000 | 0.7500 |
| | 2 | CONCRETE (MIN. F'C = 2,000 psi) OR CMU (PER ASTM C90) | 1/4" ITW TAPCON | 1.7500 | 2.5000 |
| | 2 | METAL STUD (STEEL MIN. 18GA, Fy = 33ksi) | 1/4" SMS OR SELF DRILLING SCREW | 3 THREADS PENETRATION BEYOND METAL WALL | 0.5000 |
| | | ALUMINUM MIN 1/8", 6063-T5) | | | |

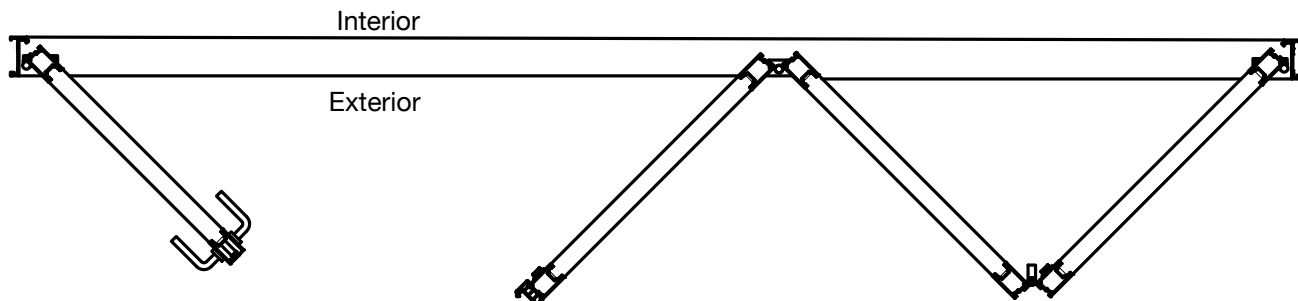
1 Left 3 Right Configuration Shown



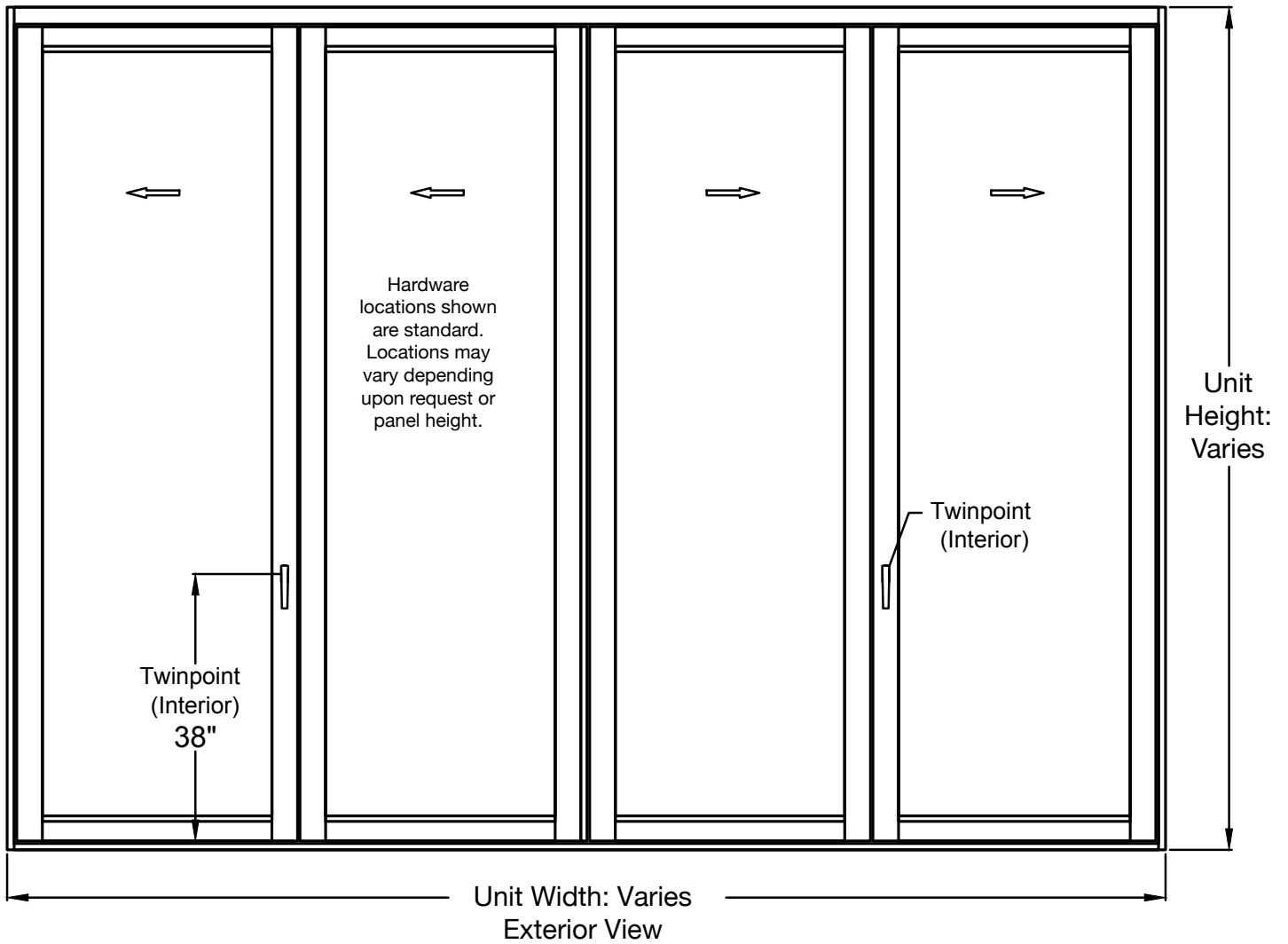
EXTERIOR ELEVATION



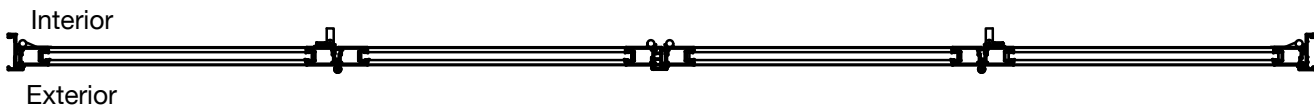
HORIZONTAL CROSS SECTION



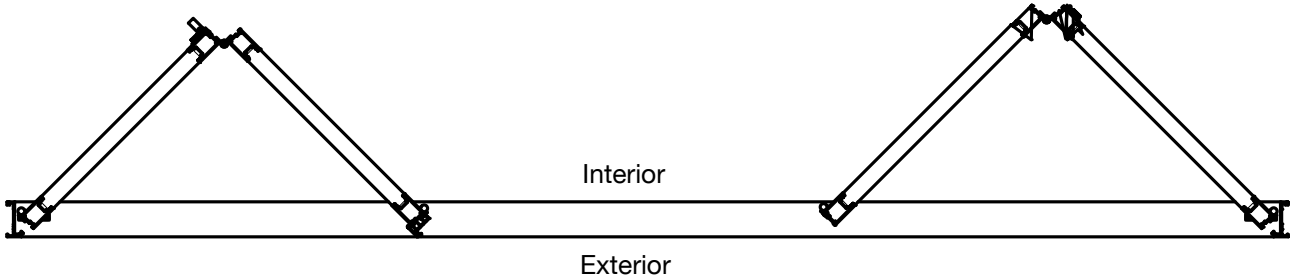
2 Left 2 Right Configuration Shown



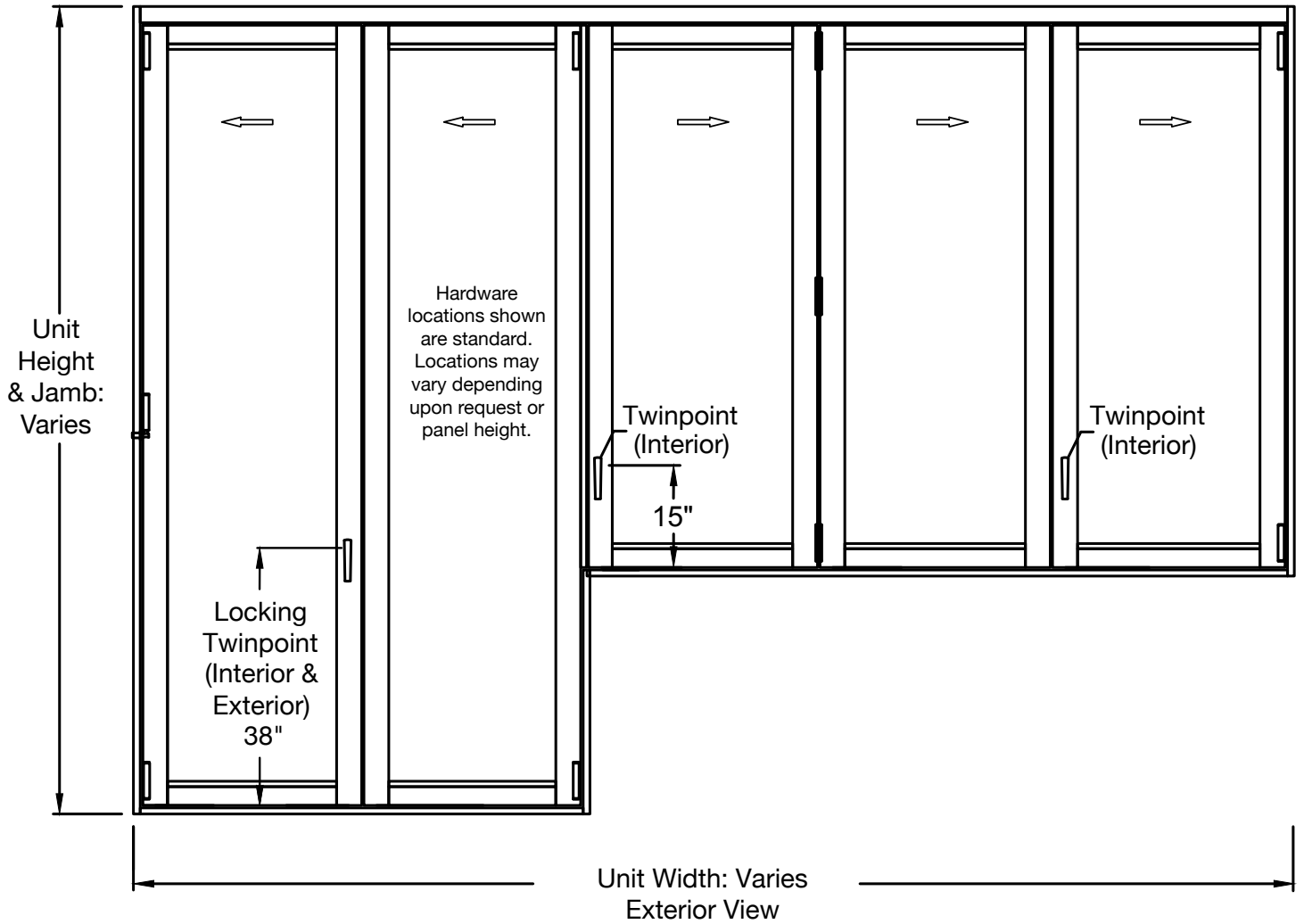
EXTERIOR ELEVATION



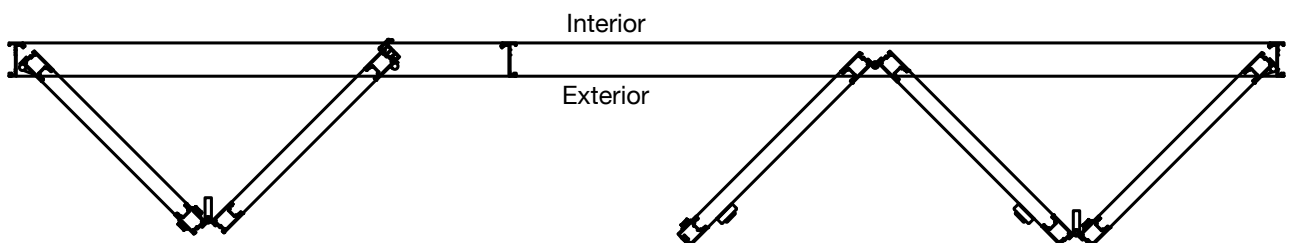
HORIZONTAL CROSS SECTION



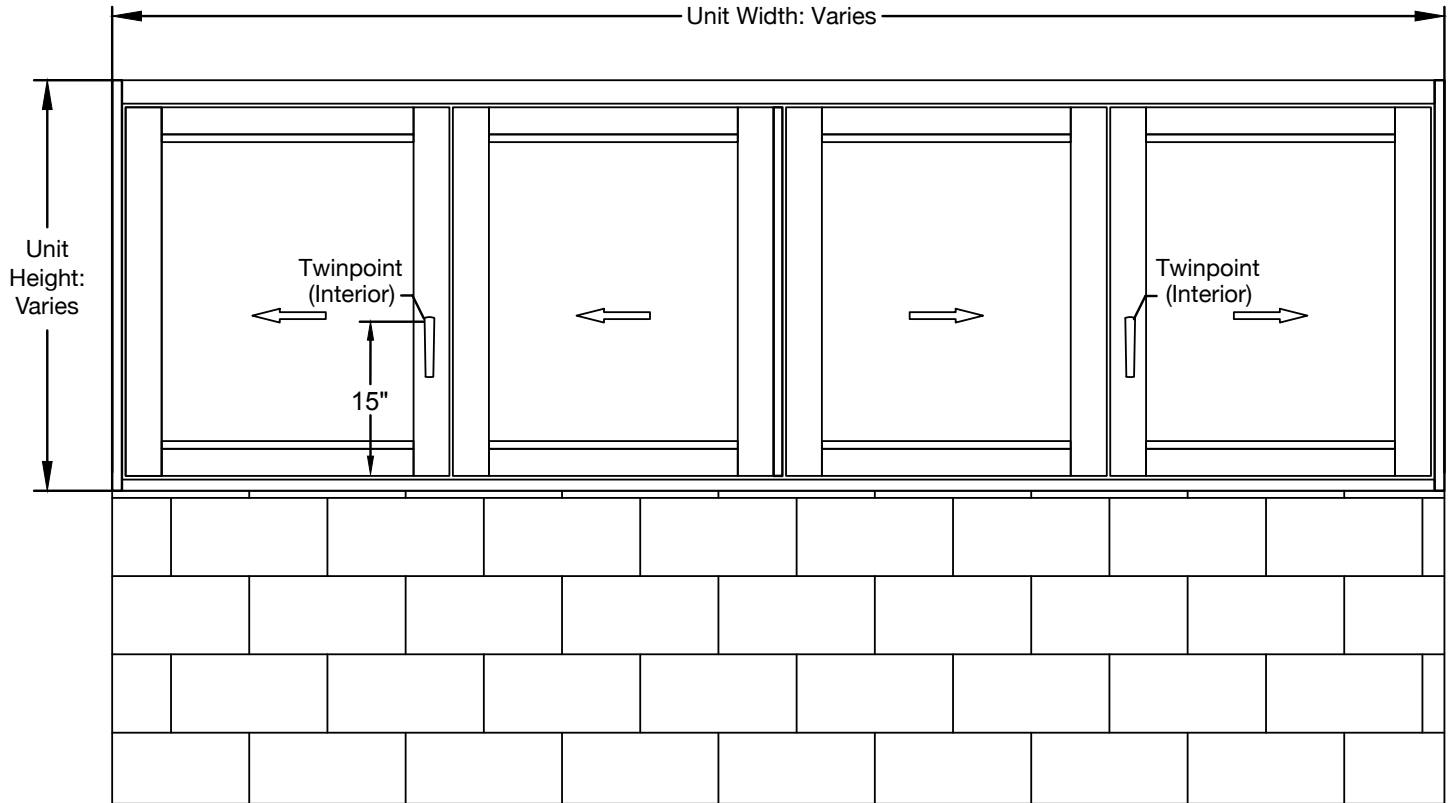
2 Left 2 Right Split Configuration Shown



HORIZONTAL CROSS SECTION

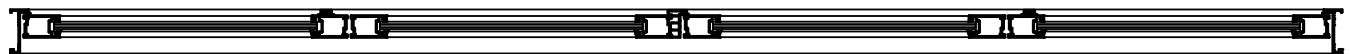


2 Left 2 Right Bar Top Configuration Shown

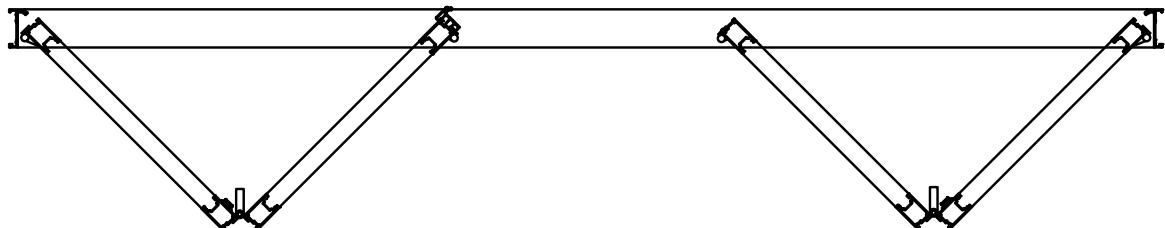


Exterior View

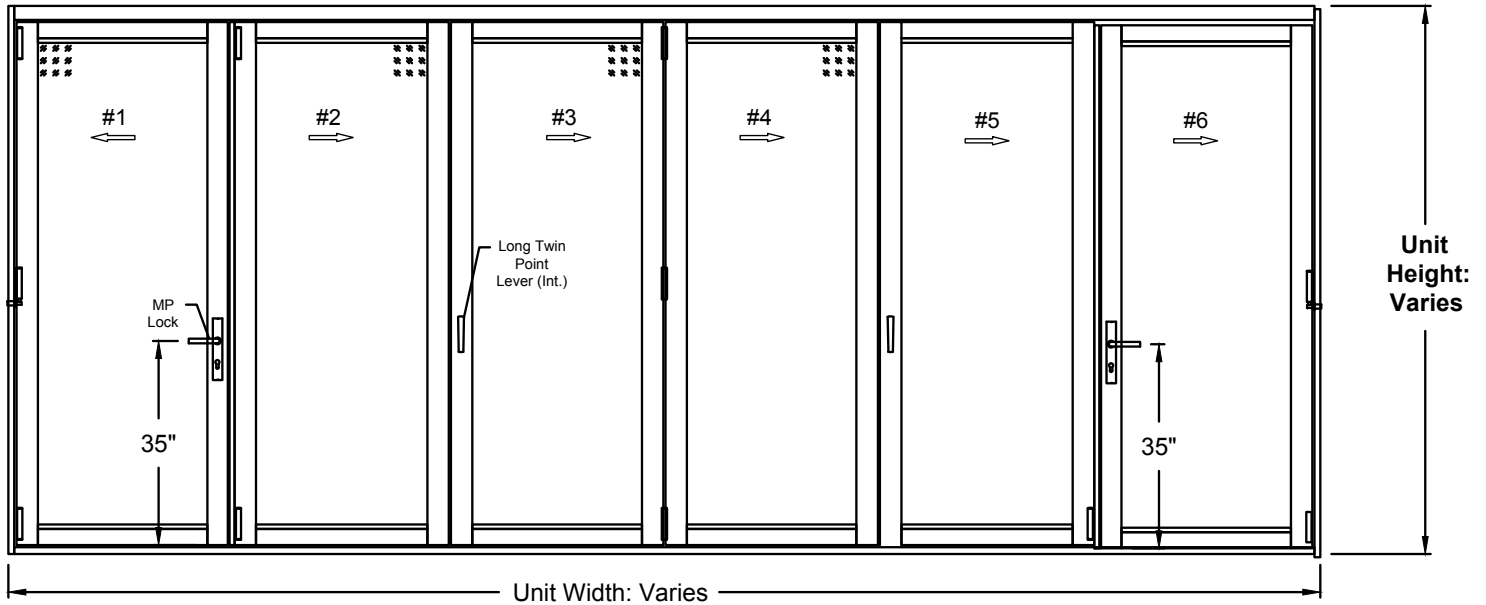
EXTERIOR ELEVATION



HORIZONTAL CROSS SECTION



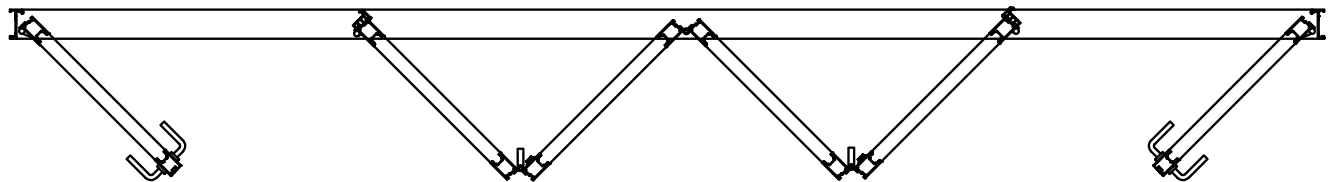
1L 4L4R 1R Configuration Shown



EXTERIOR ELEVATION



HORIZONTAL CROSS SECTION



RECOMMENDED HEIGHT/WIDTH

| | | Panel Width (Inches) | | | | | | | | |
|-----------------------|-----|----------------------|----|-----------|-----------|-----------|-----------|-----------|-----------|-----------|
| | | 20 | 24 | 28 | 32 | 36 | 40 | 44 | 48 | 52 |
| Panel Height (Inches) | 96 | | | | | | | | | Up to 52" |
| | 102 | | | | | | | | Up to 48" | |
| | 108 | | | | | | | Up to 44" | | |
| | 114 | | | | | | | Up to 44" | | |
| | 120 | | | | | | Up to 40" | | | |
| | 126 | | | | | | Up to 40" | | | |
| | 132 | | | | | Up to 36" | | | | |
| | 138 | | | | | Up to 36" | | | | |
| | 144 | | | | Up to 32" | | | | | |
| | 159 | | | | Up to 32" | | | | | |
| | 156 | | | | Up to 32" | | | | | |
| | 162 | | | Up to 28" | | | | | | |
| | 168 | | | Up to 28" | | | | | | |



EURO INTRA MULTI SLIDE™ ALUMINUM SLIDING DOORS

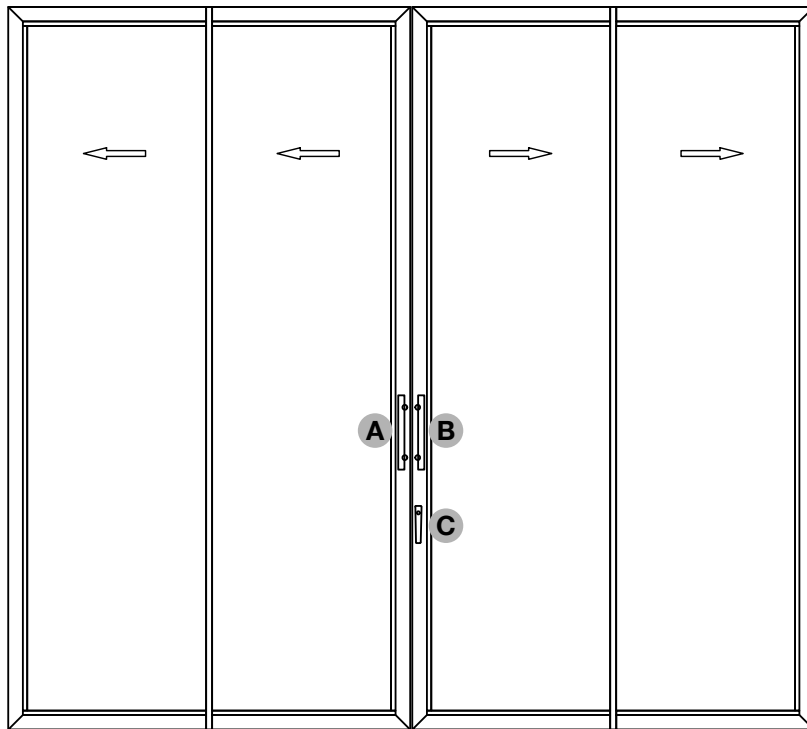
The Euro Intra Multi Slide™ is unlike any other multi slide door. The panel interlock, at less than 1", is the slimmest sight line profile available providing the largest views and the maximum panel to glass ratios. The panels can span up to 98 sq ft with heights up to 14' and widths up to 7'. These massive panels glide open and close effortlessly thanks to the unique roller and wheels system. The sill can be embedded flush with the finish floor and can meet water ratings without the need of a sill riser. The Euro Intra Multi Slide™ is a truly unique sliding door system and provides consumer benefits that cannot be found anywhere else. For projects that go beyond the given specifications please contact your sales agent for consultation.




PANEL MINIMUM / MAXIMUM

| | | | |
|-------------------|---------|-------------------|------|
| Max Panel Weight: | 800 lbs | Min Panel Height: | 24" |
| Min Panel Width: | 24" | Max Panel Height: | 168" |
| Max Panel Width: | 84" | Max # of Panels: | 8 |

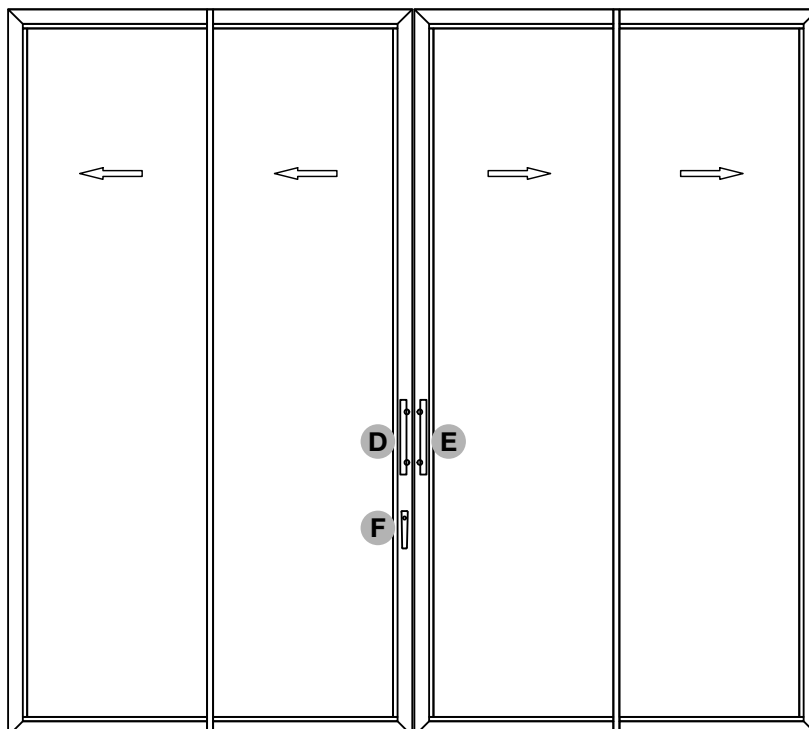
OVERVIEW DIAGRAM




Interior View



- A**  Offset Ladder Pull Handle
- B**  Offset Ladder Pull Handle
- C**  Twinpoint Lever

Exterior View

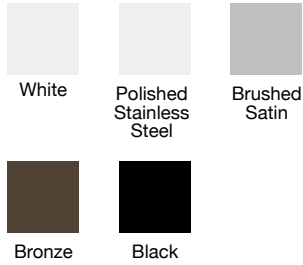


- D**  Offset Ladder Pull Handle
- E**  Offset Ladder Pull Handle
- F**  Twinpoint Lever

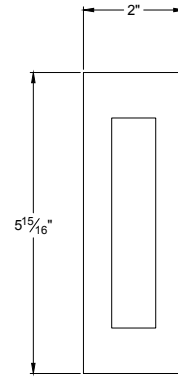
HANDLES



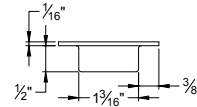
Ladder Pull Handle



Standard 12"
Custom up to 72" nominal

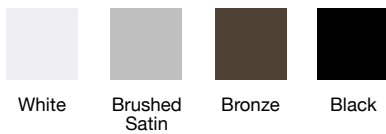


Recessed Pull

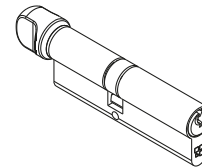


LOCKS

Twinpoint Lever



Thumb Turn



62mm Double Sided
Key / Thumb Turn
Use: Standard Option
Finish: Raw

CONFIGURATIONS

OXX



O = FIXED PANEL
X = ACTIVE PANEL

OOXX



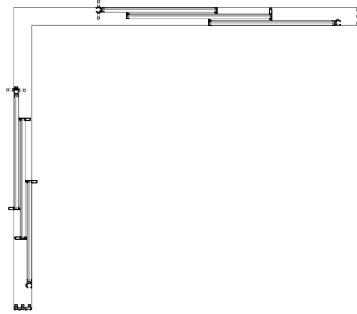
OXX-XXO



XXXXX



OXX-XXO



OXX-XXXXO



XXX-XXX



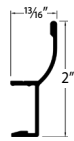
EXTRUSION PROFILES



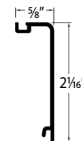
Snap Track



Jamb / Header Track



Condensation Drain



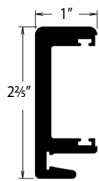
End Cap



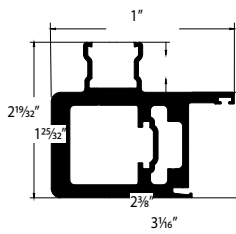
Reducer Bar



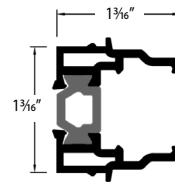
P Hook



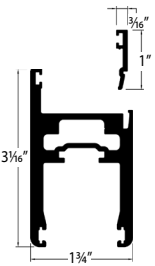
Slim Stile Interlock



Corner Astragal

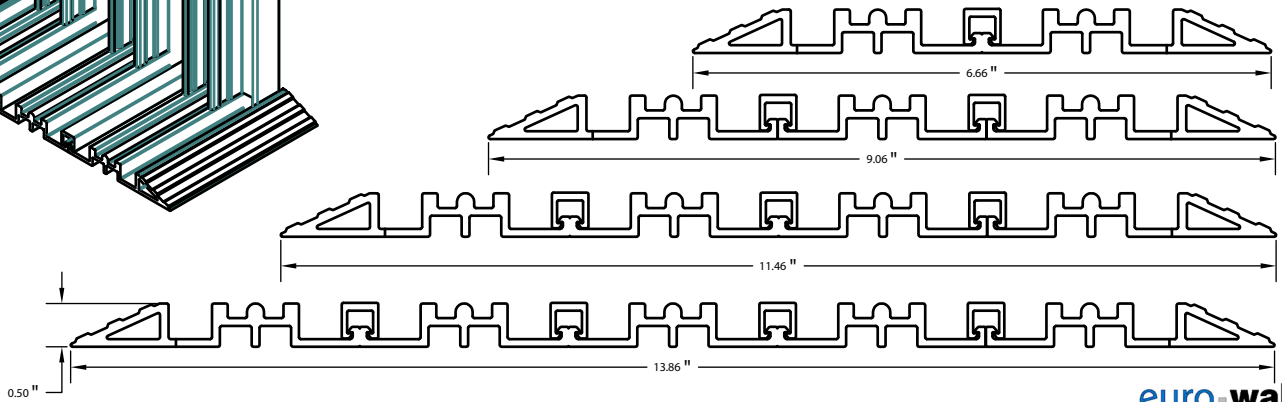
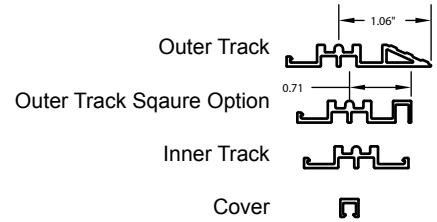
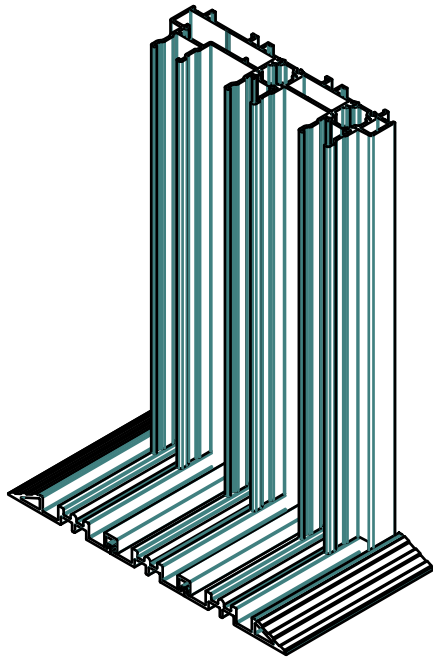


Center Meet Astragal

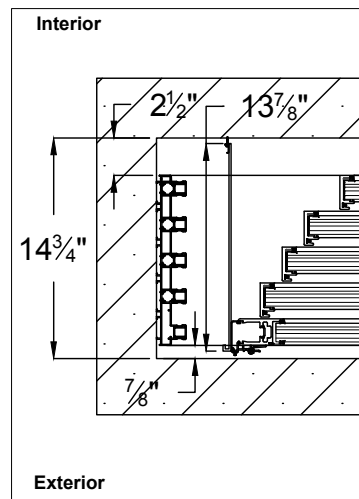
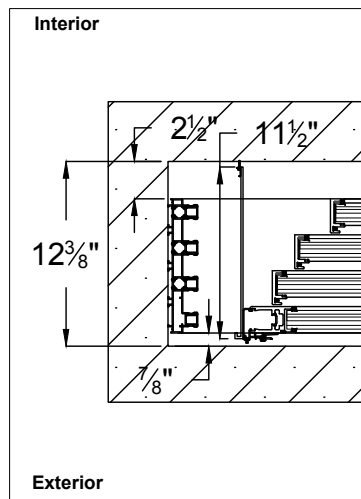
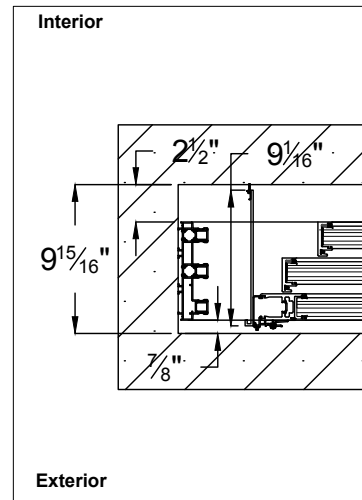
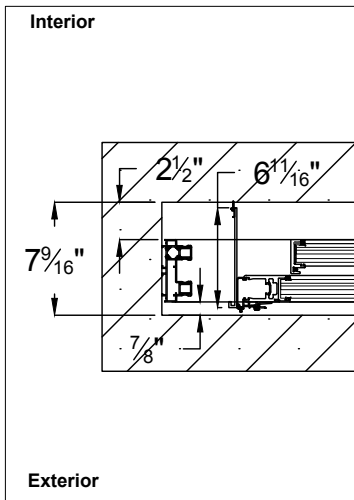
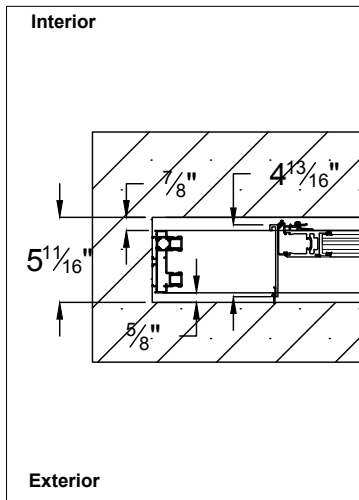
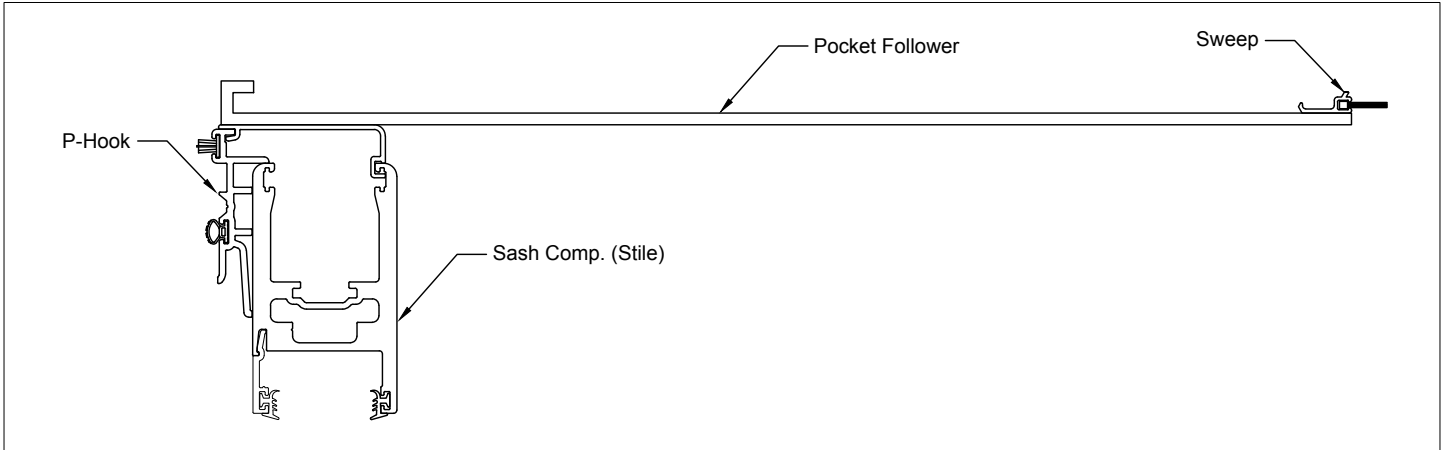


Sash & Glazing Bead

Multi-Slide ADA Sill Option

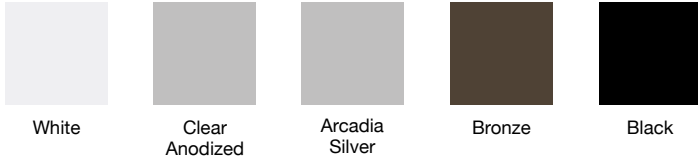


POCKETS



FINISH OPTIONS

Standard Finishes



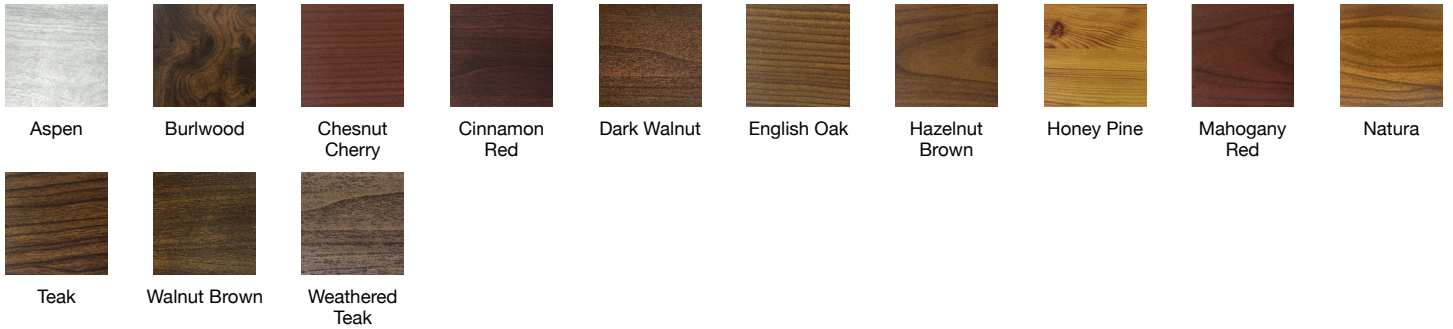
Standard Wood Finishes



Exotic Wood Finishes

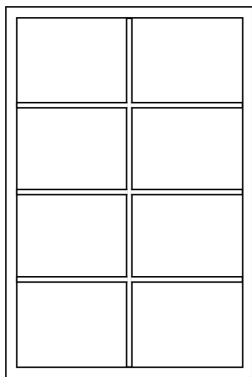


Faux Wood Grain Finishes

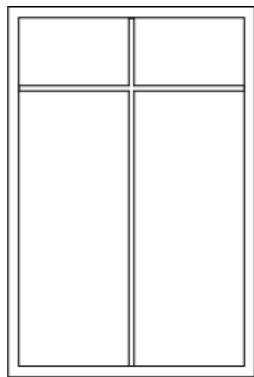


COMMON GRID & MUNTIN OPTIONS

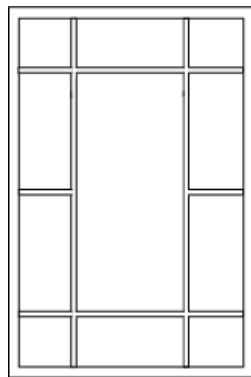
These muntin configurations are just a few examples of the numerous possibilities. All configurations are available in aluminum or wood.



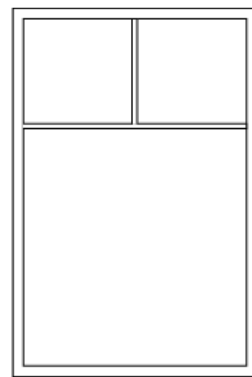
Traditional Grid



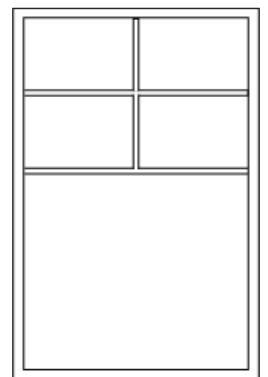
Cross Grid



English Grid

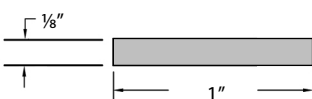


Ladder

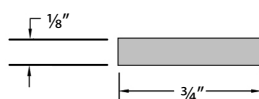


Double Ladder

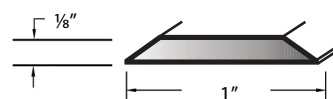
1" Flat Muntin



3/4" Flat Muntin



1" Angled Muntin

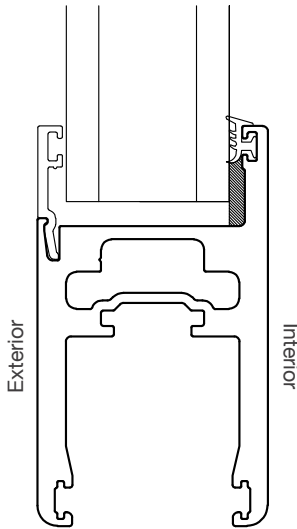


NOTE: Additional muntin profiles available upon request.

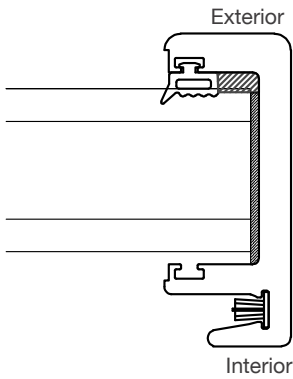
GLAZING DETAILS

1 1/4" Insulated Glass

Sash & Glazing Bead

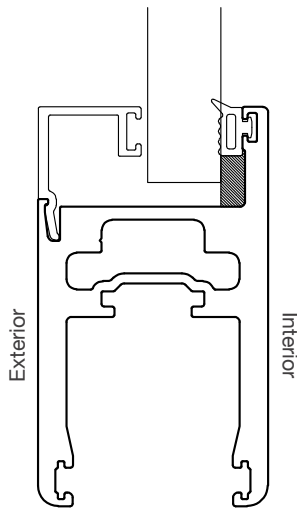


Interlock

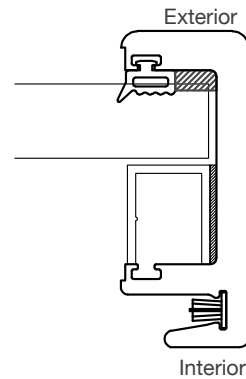


1/2" Tempered Glass

Sash & Glazing Bead



Interlock



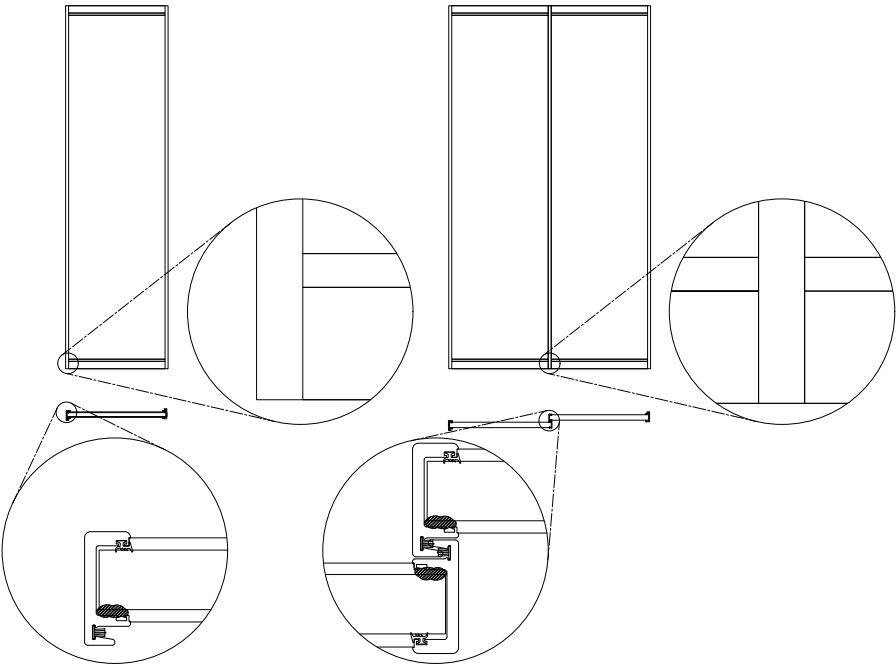
STC TESTING

Type: 1 1/4" IG Imp Clear PVB - STC

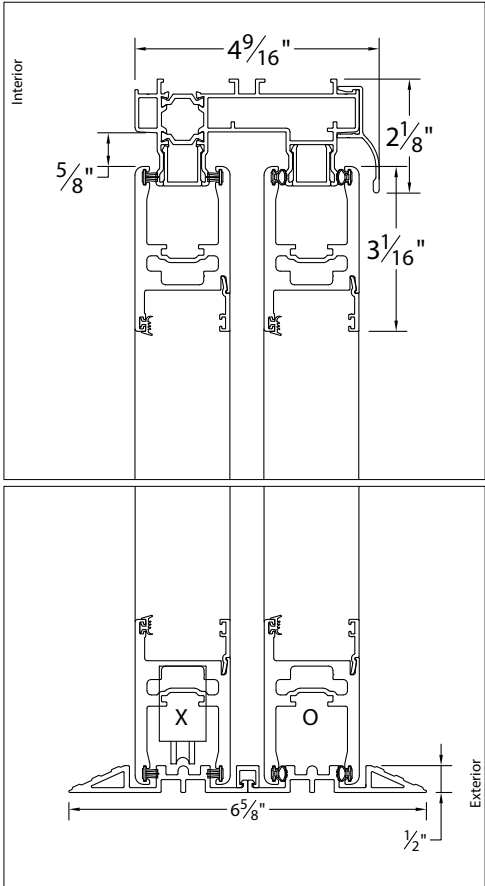
Makeup: 1/4 CL Temp - 1/2 Black Spacer - 1/4 CL HS \ .060PVB \ 3/16 CL HS

32
ADA SIII

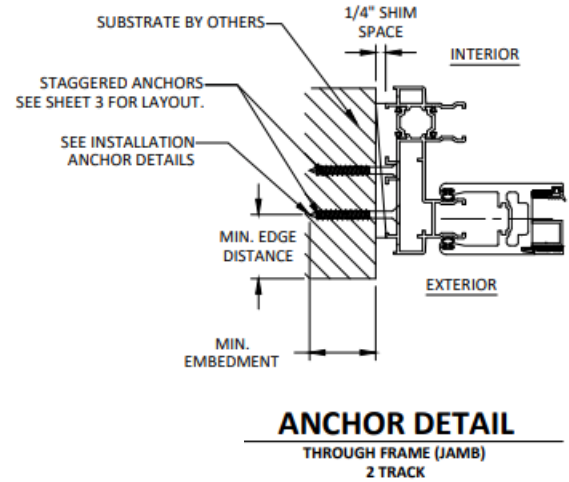
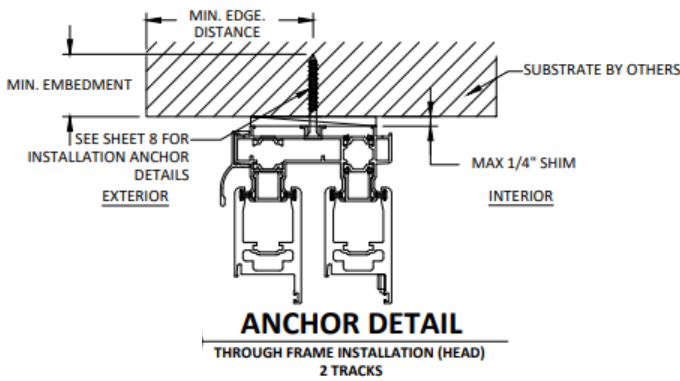
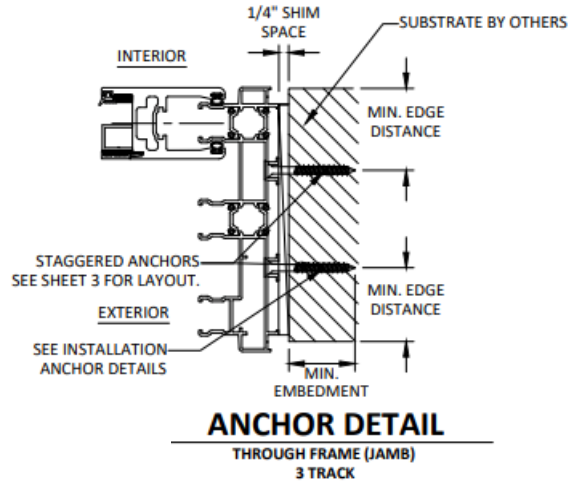
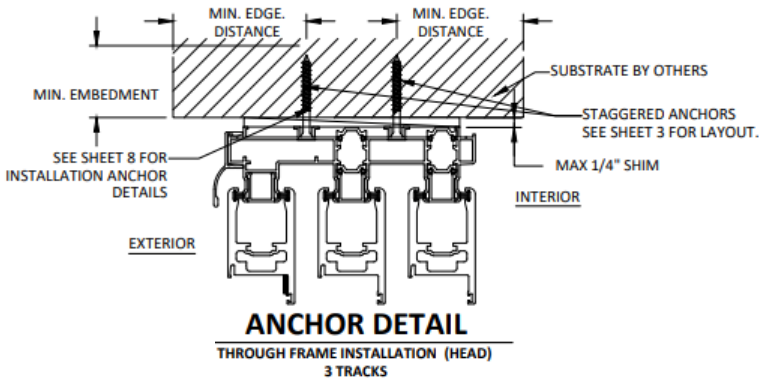
INTERLOCK DETAILS



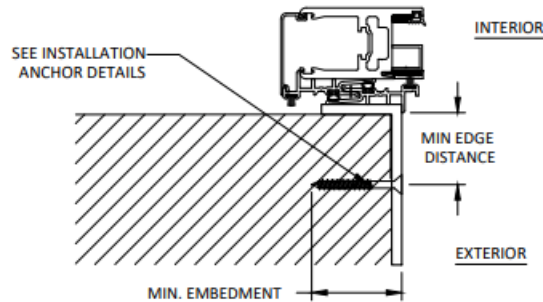
ELEVATION DETAILS



ANCHOR DETAILS



ANCHOR FOR WALL BRACKET TO BE LOCATED AT A MAXIMUM OF 4" FROM THE CORNER AND MAXIMUM OF 12" O.C. SPACING



ANCHOR DETAIL
POCKET BRACKET INSTALLATION

ANCHOR DETAILS

Anchor Installation Notes

1. One installation anchor is required at each anchor location shown unless specified in the anchor schedule. Two installation anchors at the jambs.
2. The number of installation anchors depicted is the minimum number of anchors to be used for product installation of the maximum size listed.
3. Install individual installation anchors within a tolerance of $\pm 1/2"$ the depicted location & spacing in the anchor layout details. (I.E., without consideration of tolerances). Tolerances are not cumulative from one installation anchor to the next.
4. Shim as required at each installation anchor with load bearing shim(s). Maximum allowable shim stack to be $1/4"$. Shim where space of $1/16"$ or greater occurs. Shim(s) shall be constructed of high density plastic or better.
5. For masonry or concrete openings, 1x wood buck may be used (optional as long as the minimum embedment and edge

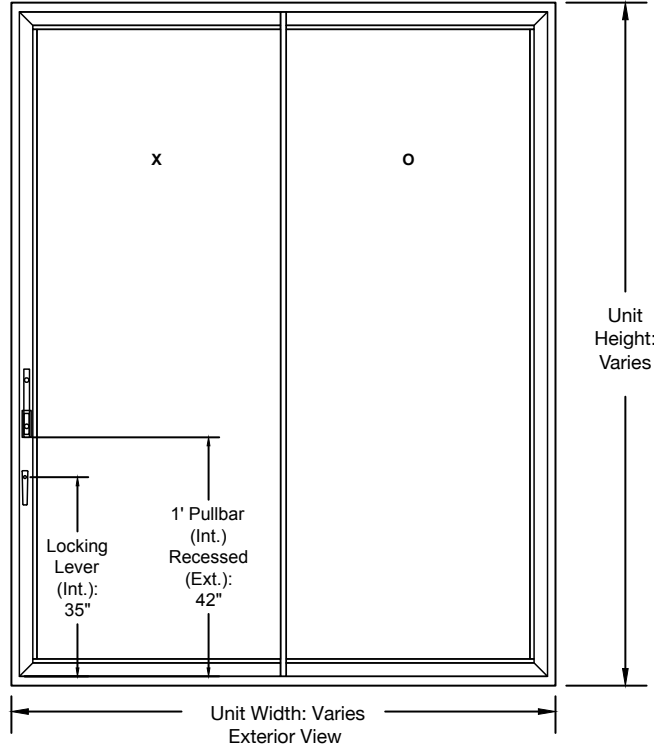
- distance requirements are still met within the corresponding host substrate).
6. Minimum embedment and edge distance exclude wall finishes, including but not limited to stucco, foam, brick veneer and siding.
 7. Installation anchors and associated hardware must be made of corrosion resistant material or have a corrosion resistant coating.
 8. For hollow block and grout filled block, do not install installation anchors into mortar joints. Edge distance is measured from free edge of block or edge of mortar joint into face shell of block.
 9. Installation anchors shall be installed in accordance with anchor manufacturer's installation instructions, and anchors shall not be used in substrates with strengths less than the minimum strength specified by the anchor manufacturer.

| ANCHOR SCHEDULE | | | | |
|-----------------|---|---|--|-------------------|
| METHOD | SUBSTRATE | ANCHOR SCHEDULE | MIN EMBEDMENT | MIN EDGE DISTANCE |
| Through Frame | Wood: Min. SG = 0.55 | #14 Wood Screw | 1.5" | 0.75" |
| | Metal: 18 Gauge Steel Min. Fy= 33KSI | #12 Self Drilling or Self Tapping Screw | 3 Threads Min. Penetration Beyond Metal | 0.50" |
| | Metal: 1/8" Min. Thickens Aluminum Min. 6063-T5 | | | |
| | Concrete: f'c = 3000PSI | 1/4" ITW Tapcon | 1.25" | 2.00" |
| | Masonry: CMU per ASTM C90 | 1/4" ITW Tapcon | 1.25" | 2.00" |

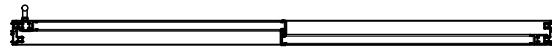
XO Configuration

O = Fixed Panel
X = Active Panel

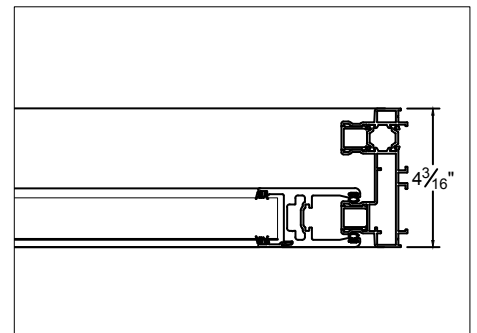
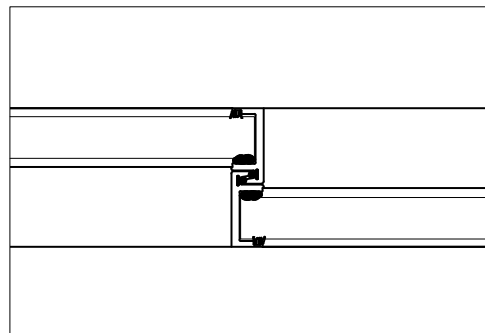
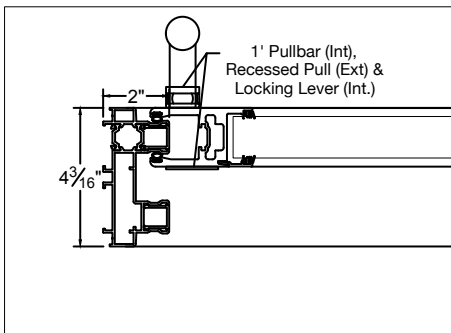
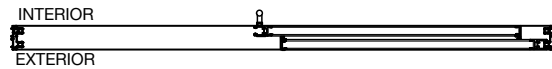
Hardware locations shown are standard. Locations may vary depending upon request or panel height.



EXTERIOR ELEVATION



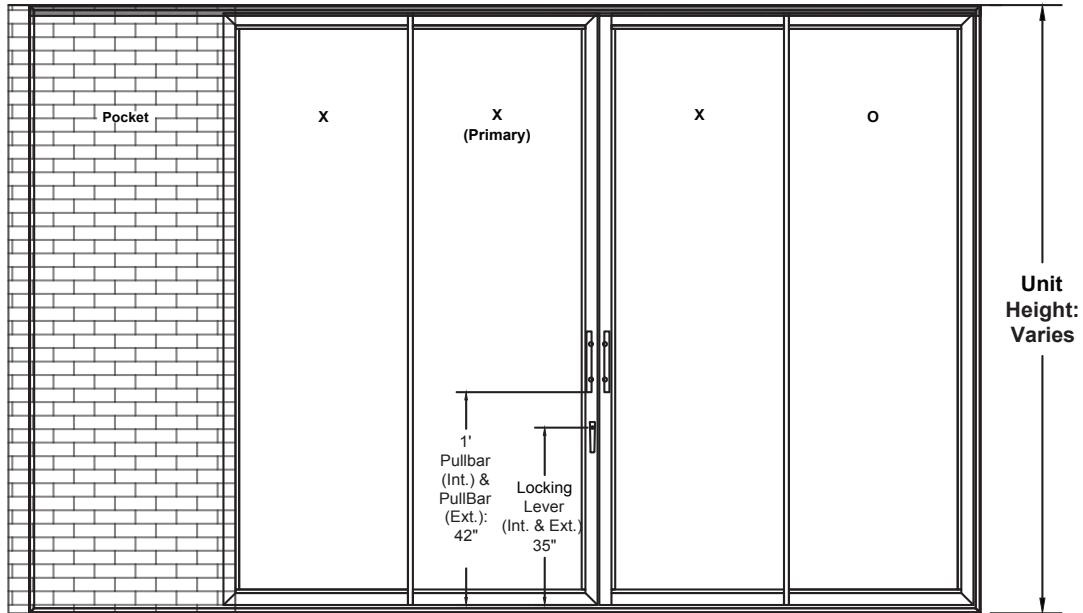
HORIZONTAL CROSS-SECTION



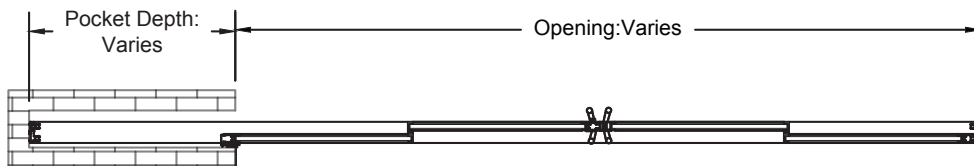
PXX-XO Configuration

O = Fixed Panel
X = Active Panel

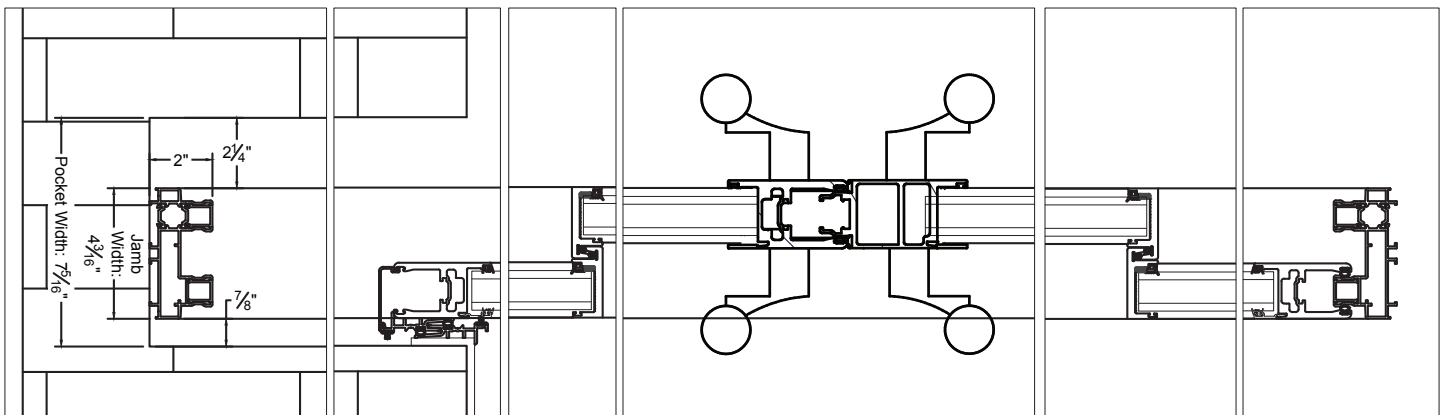
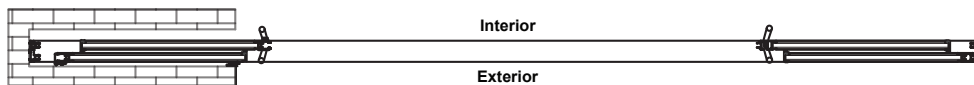
Hardware locations shown are standard. Locations may vary depending upon request or panel height.



EXTERIOR ELEVATION



HORIZONTAL CROSS SECTION



RECOMMENDED HEIGHT/WIDTH

| | | Panel Width (Inches) | | | | | | | | | | | | | |
|-----------------------|-----|----------------------|----|-----------|-----------|-----------|-----------|-----------|-----------|----|-----------|-----------|-----------|----|-----------|
| | | 45 | 48 | 51 | 54 | 57 | 60 | 63 | 66 | 69 | 72 | 75 | 78 | 81 | 84 |
| Panel Height (Inches) | 90 | | | | | | | | | | | | | | Up to 84" |
| | 96 | | | | | | | | | | | | | | Up to 84" |
| | 102 | | | | | | | | | | | | | | Up to 84" |
| | 108 | | | | | | | | | | | | Up to 78" | | |
| | 114 | | | | | | | | | | | Up to 75" | | | |
| | 120 | | | | | | | | | | Up to 72" | | | | |
| | 126 | | | | | | | | Up to 66" | | | | | | |
| | 132 | | | | | | | Up to 63" | | | | | | | |
| | 138 | | | | | | Up to 60" | | | | | | | | |
| | 144 | | | | | | Up to 60" | | | | | | | | |
| | 150 | | | | | Up to 57" | | | | | | | | | |
| | 156 | | | | Up to 54" | | | | | | | | | | |
| | 162 | | | Up to 51" | | | | | | | | | | | |
| | 168 | | | Up to 51" | | | | | | | | | | | |



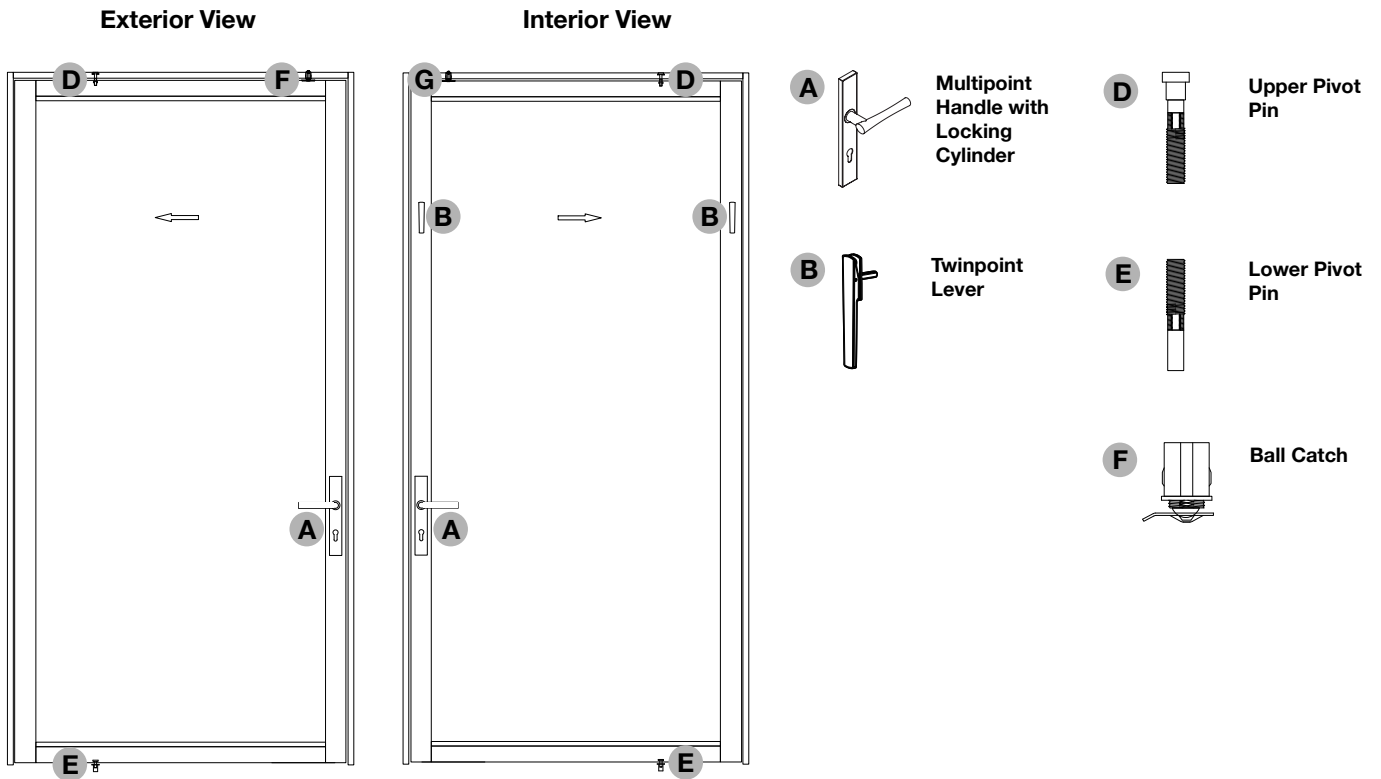
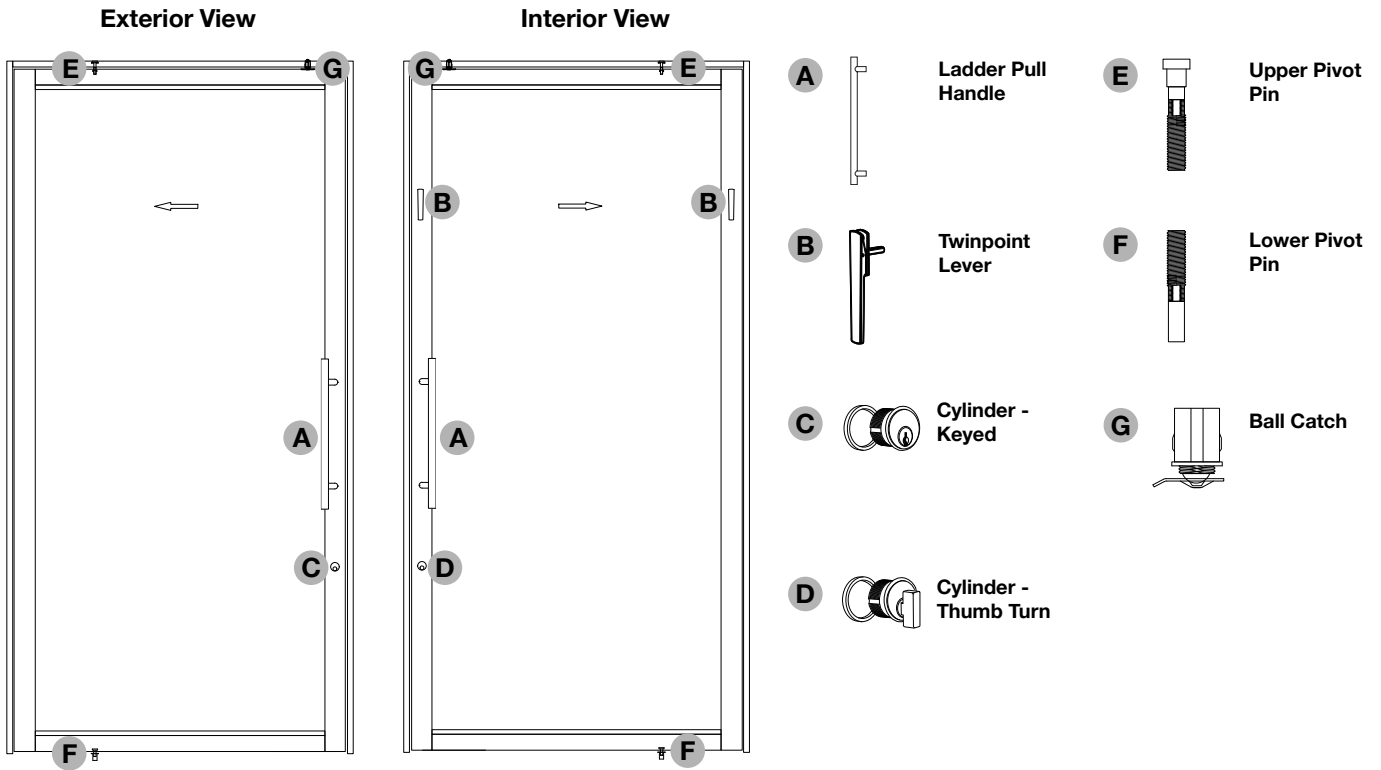
EURO INTRA PIVOT™ ALUMINUM DOORS

Euro-Wall's Euro Intra Pivot™ door comes in aluminum or aluminum with wood clad. The Euro Intra Pivot™ can be constructed to a height of 14' and a width of 8' providing solutions for non-traditional breathtaking openings. The Euro Pivot™ is an unparalleled pivot door, perfect for any commercial or residential application. For projects that go beyond the given specifications please contact your sales agent for consultation.

PANEL MINIMUM / MAXIMUM

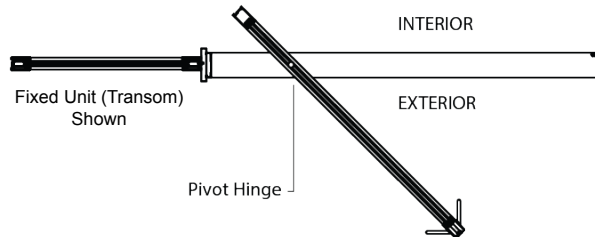
| | | | |
|-------------------|---------|-------------------|--------|
| Max Panel Weight: | 700 lbs | Min Panel Height: | 48" |
| Min Panel Width: | 36" | Max Panel Height: | 168" |
| Max Panel Width: | 100" | Panel Thickness: | 2-1/4" |

OVERVIEW DIAGRAM



SWING ORIENTATIONS

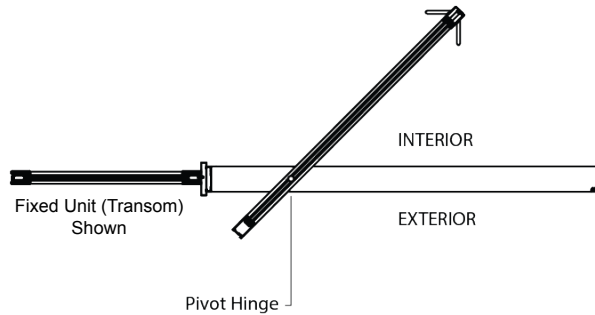
**Left Hand
Outswing**



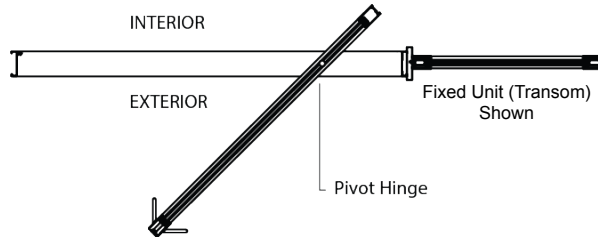
Jamb Orientation



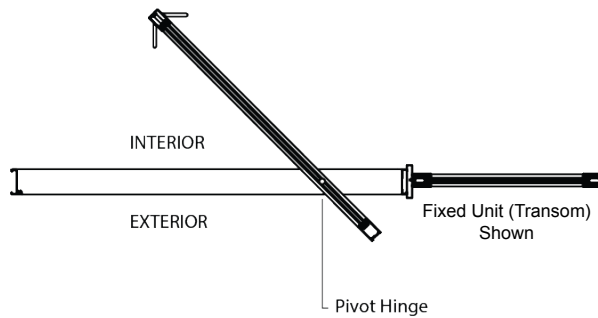
**Left Hand
Inswing**



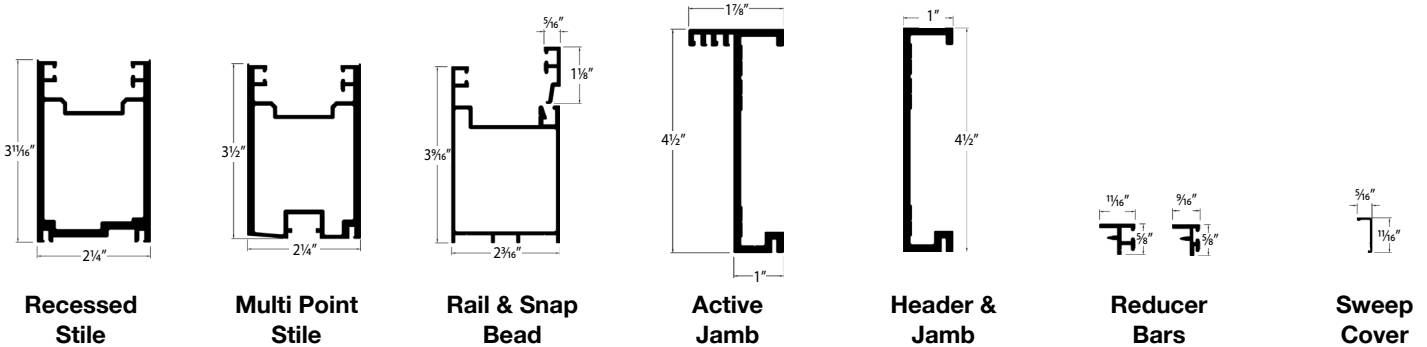
**Right Hand
Outswing**



**Right Hand
Inswing**



EXTRUSION PROFILES

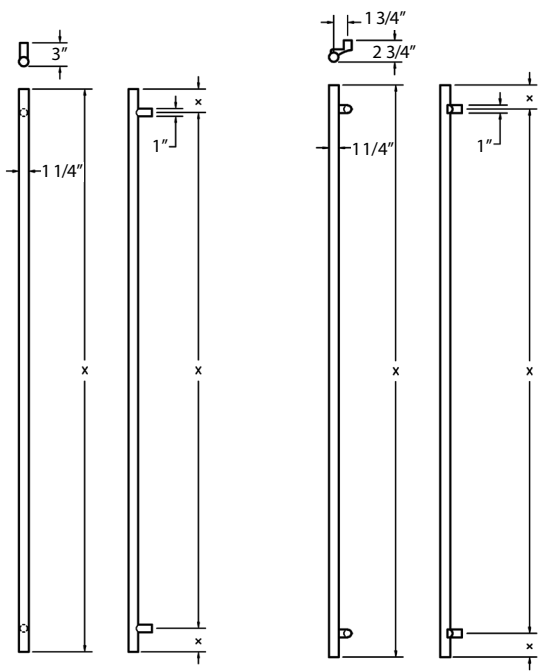


HANDLES

Ladder Pull Handle

Straight

Offset

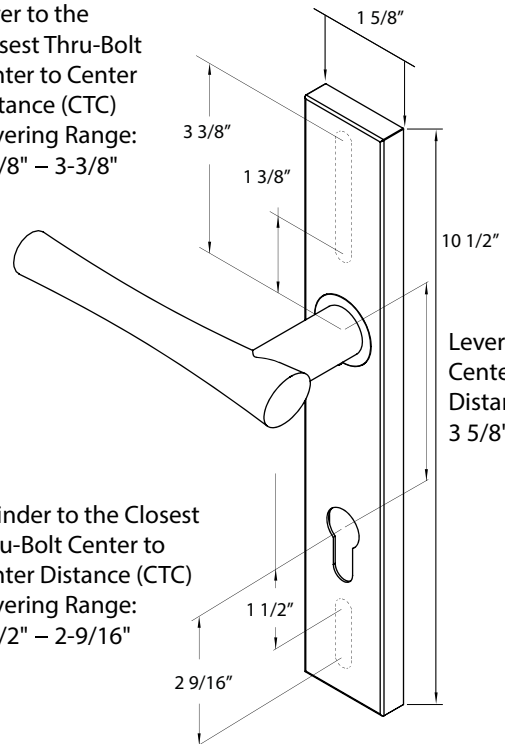


Standard 12"
Custom up to 72" nominal

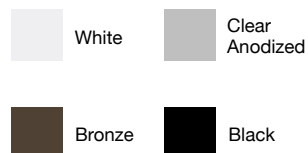


Multi Point 5 Point Locking Handle

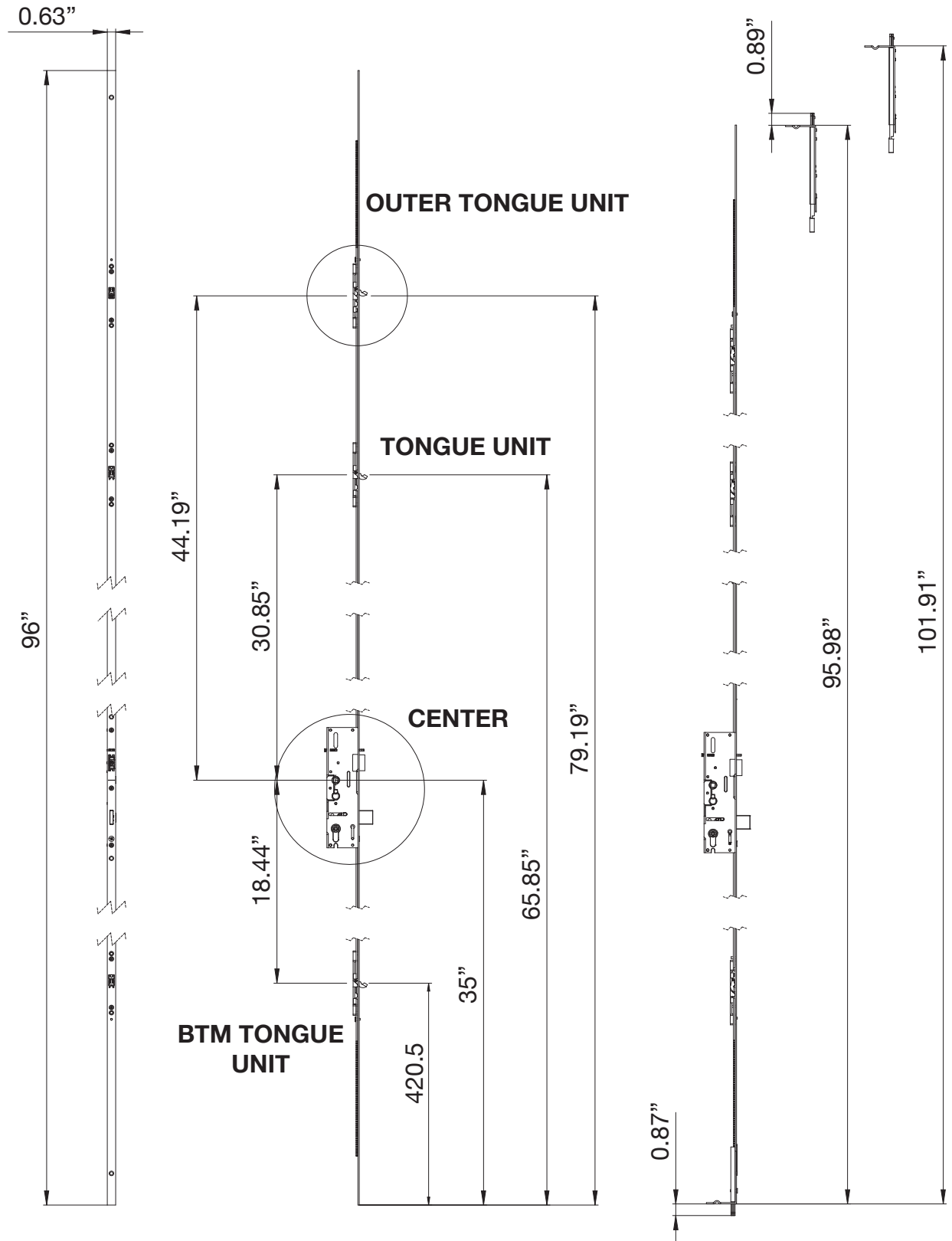
Lever to the
Closest Thru-Bolt
Center to Center
Distance (CTC)
Covering Range:
1-3/8" – 3-3/8"



Cylinder to the Closest
Thru-Bolt Center to
Center Distance (CTC)
Covering Range:
1-1/2" – 2-9/16"

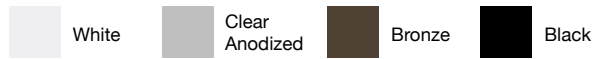
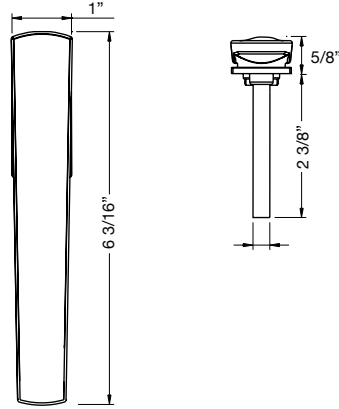


5 POINT LOCK



LOCKS

Twinpoint Lever



Key & Thumb Turn Locks



1" • Key Cylinder
Use: Non-Cladded Door

1-1/8" • Key Cylinder
Use: Single Side Clad Door

1-1/2" • Key Cylinder
Use: Double Side Clad Door



1" • Thumb Turn Cylinder
Use: Non-Cladded Door

1-1/8" • Thumb Turn Cylinder
Use: Single Side Clad Door

1-1/4" • Thumb Turn Cylinder
Use: Clad > 3/16"

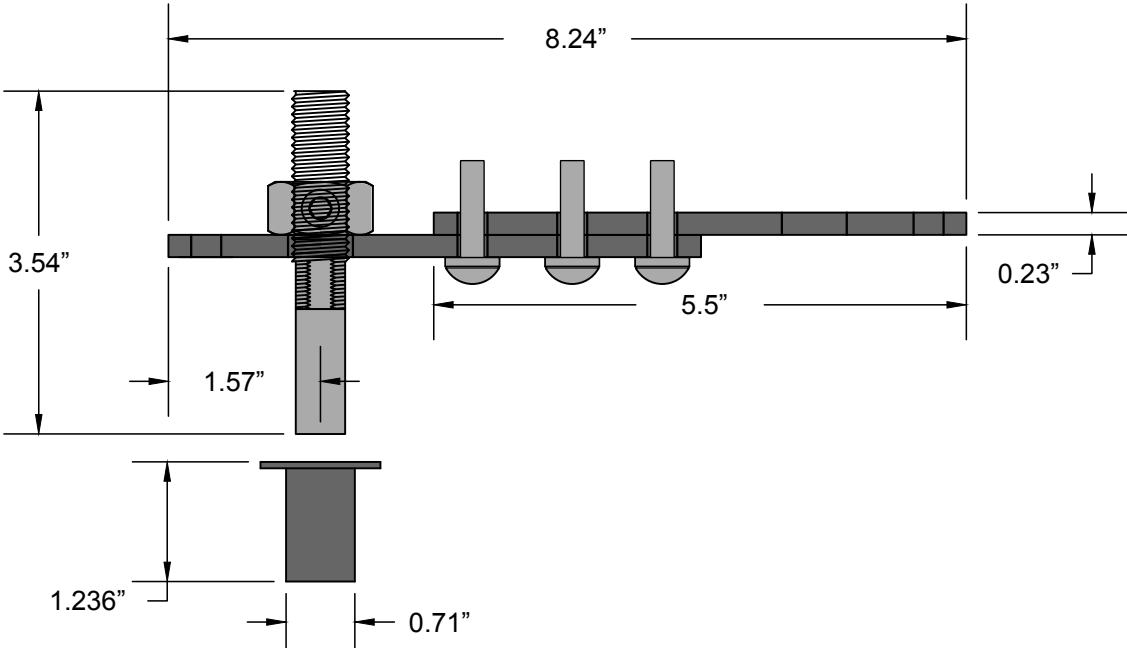
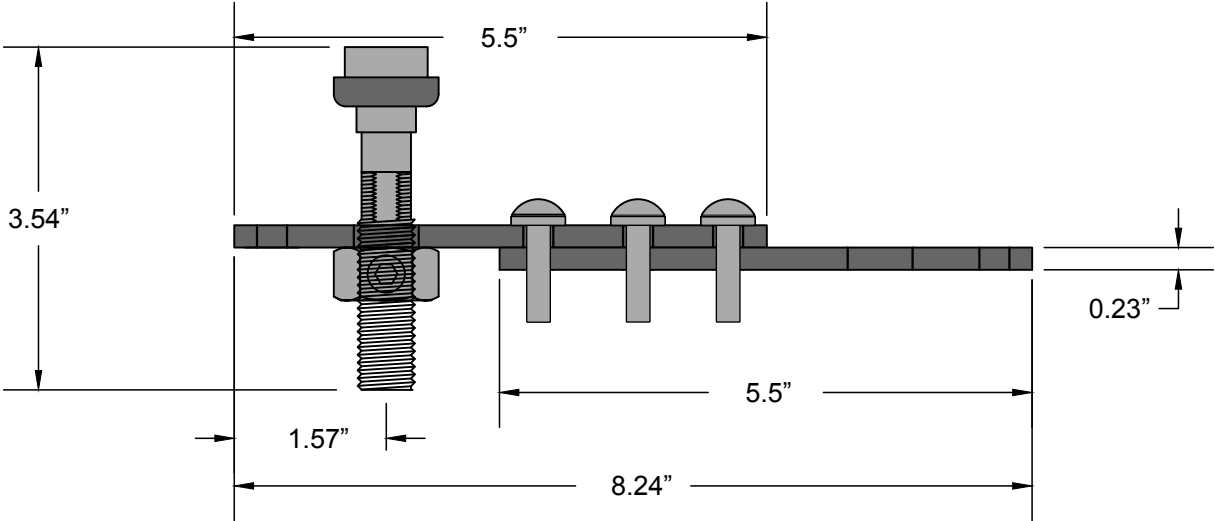
1-1/2" • Thumb Turn Cylinder
Use: Double Side Clad Door



1/8" Collar Ring
Use: All Cylinders

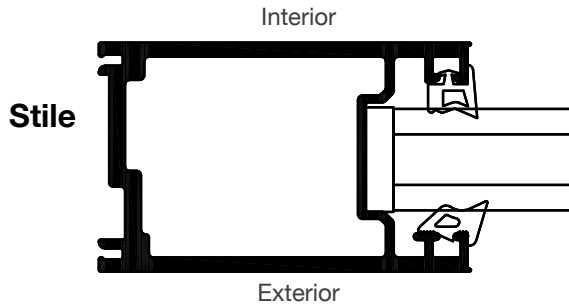


PIVOT PINS

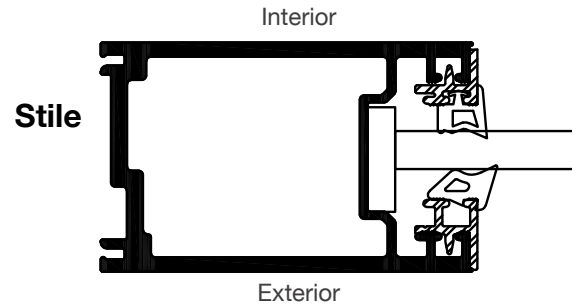


GLAZING DETAILS

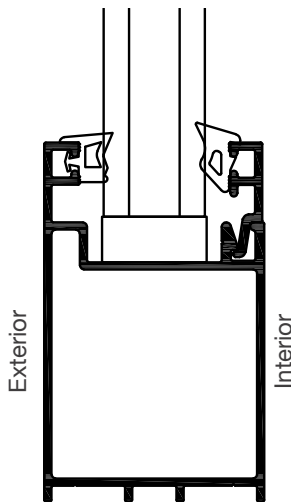
1" IG Non-Impact Glass



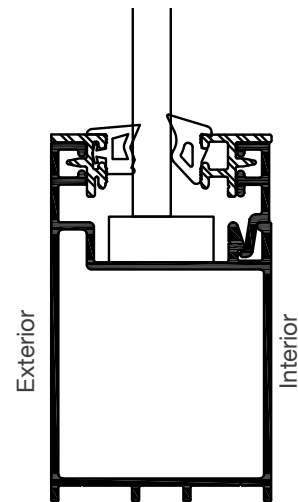
3/8" Tempered Glass



Top
Bottom
Rail



Top
Bottom
Rail



STC TESTING

Type: 1" IG Imp Clear PVB - STC

Makeup: 3/16 CL Temp - 1/2 Spacer - 3/16 CL HS \ .060PVB \ 3/16 CL HS

23
No Sill

FINISH OPTIONS

Standard Finishes



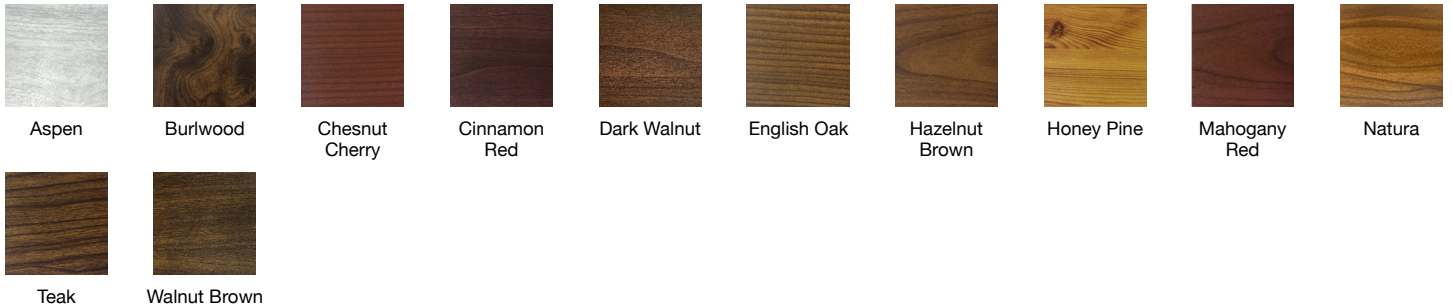
Standard Wood Finishes



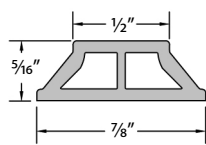
Exotic Wood Finishes



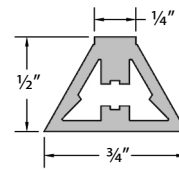
Faux Wood Grain Finishes



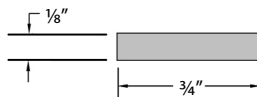
GRID OPTIONS



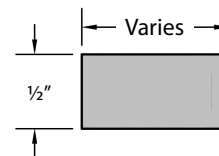
7/8" OG MUNTIN



3/4" STANDARD MUNTIN



3/4" FLAT MUNTIN



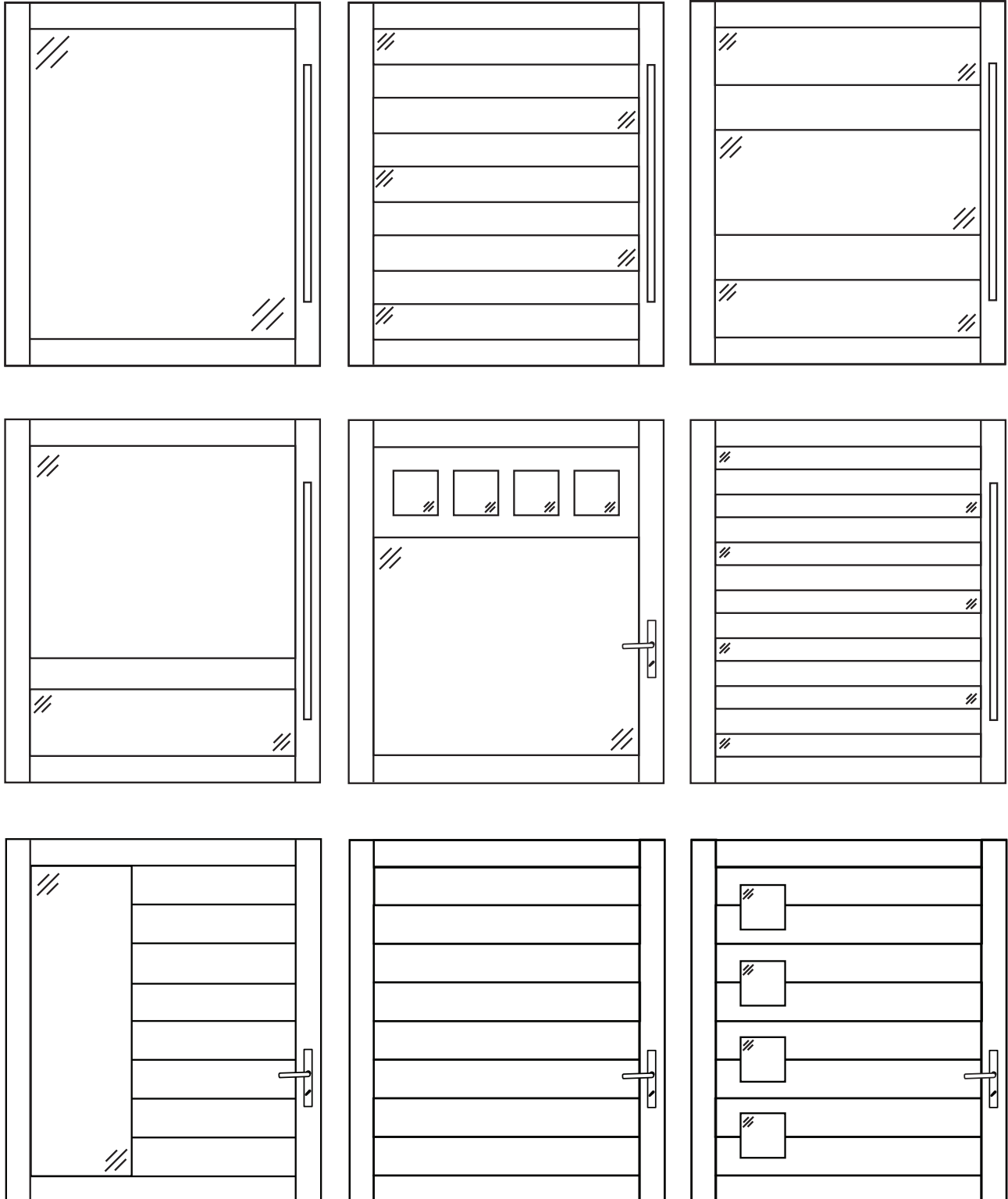
1/2" STANDARD MIDRAIL

Used for midrails up to 4"

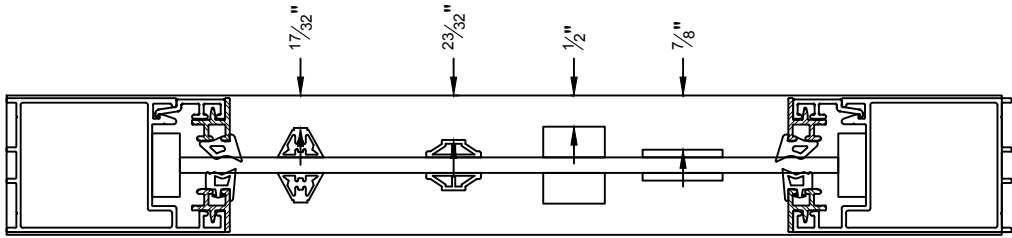
NOTE: Additional muntin profiles available upon request. The 3/4" flat muntin is primarily used for sliding doors, however if your project has pivot and sliding doors this muntin will be used to make them all match.

MIDRAIL CONFIGURATIONS

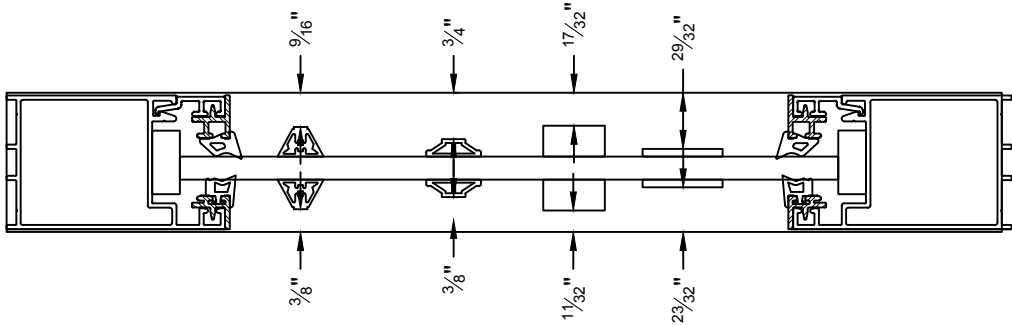
The configurations below are just a few examples of the numerous possibilities for Euro Pivot™ Door. All configurations are available in aluminum, interior wood clad or an interior/exterior faux wood grain kynar finish.



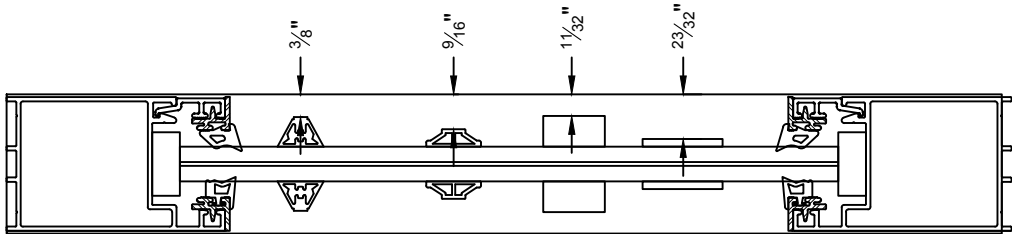
1/4



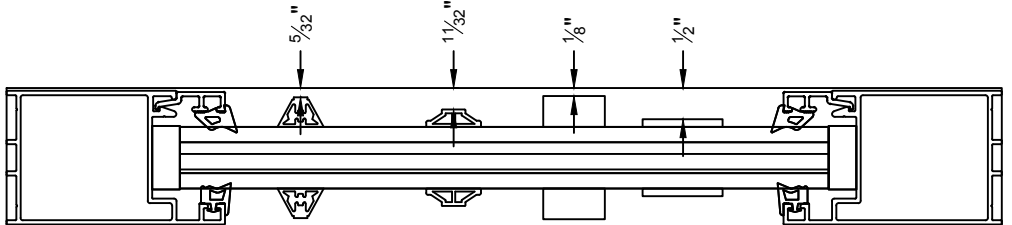
3/8



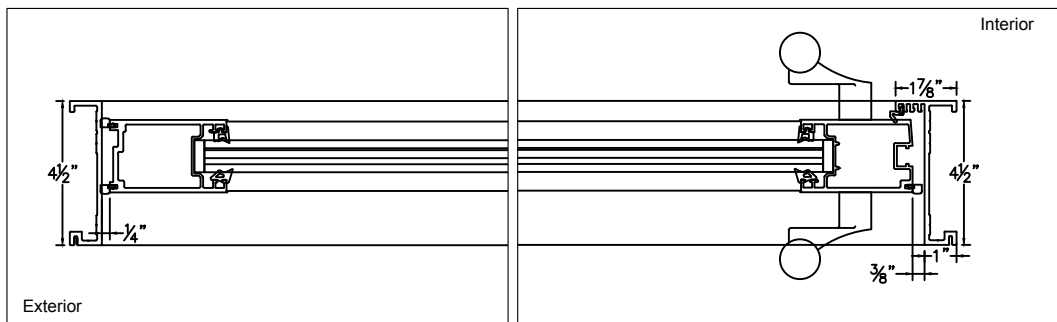
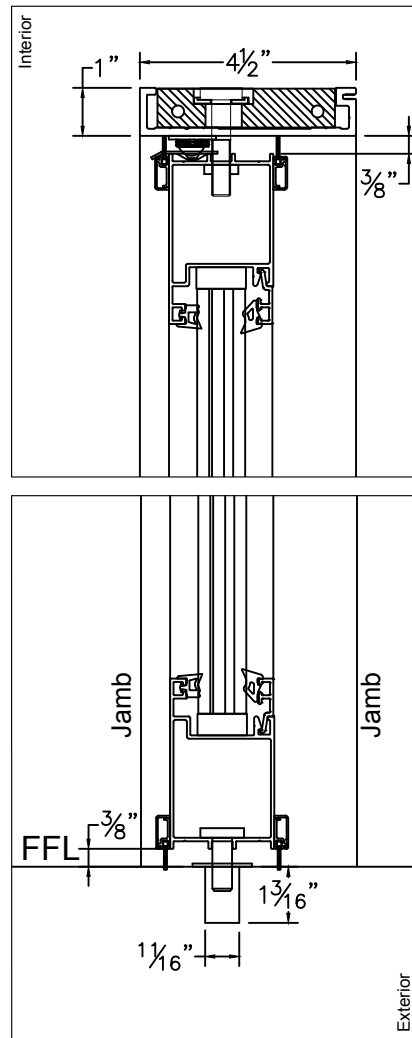
9/16 Mono



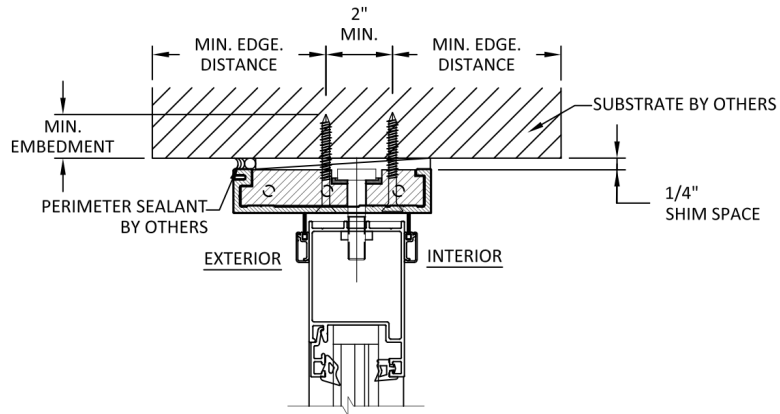
IG



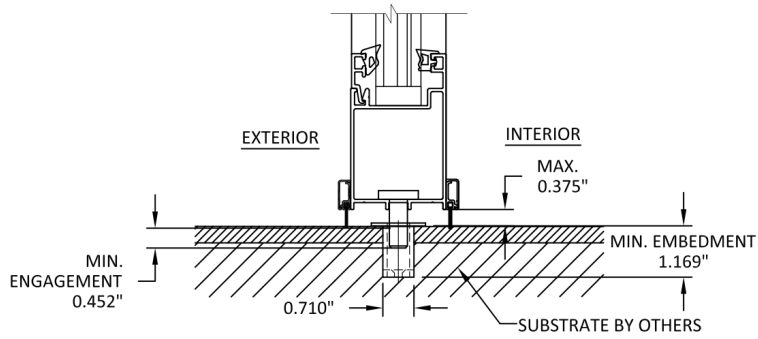
ELEVATION DETAILS



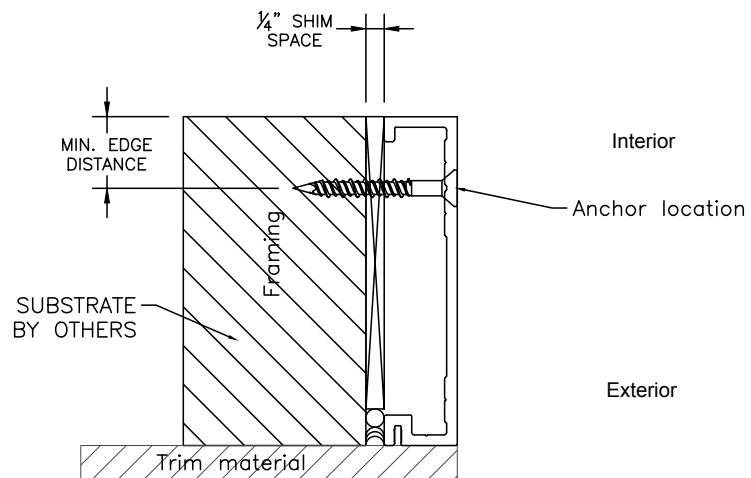
ANCHOR DETAILS



ANCHOR DETAIL
THROUGH FRAME (HEAD)



ANCHOR DETAIL
PIVOT (SILL)



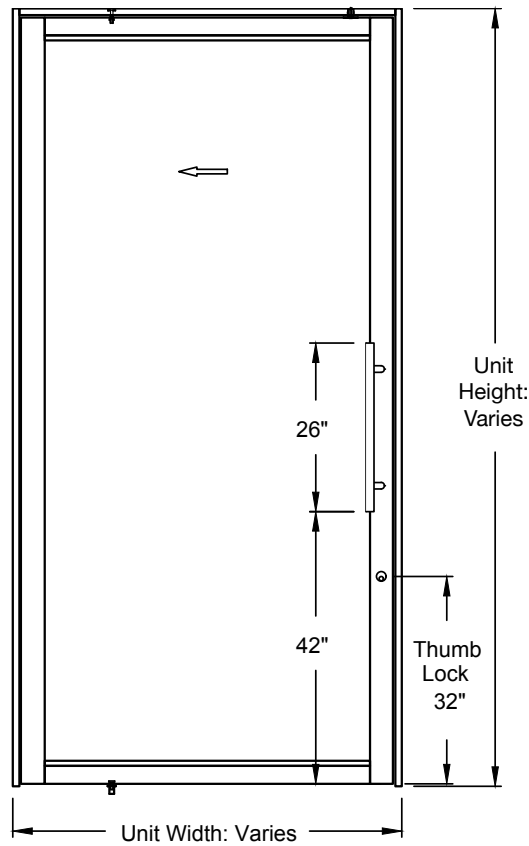
ANCHOR DETAILS

Anchor Installation Notes

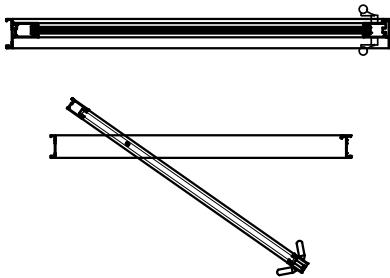
1. One installation anchor is required at each anchor location shown unless specified in the anchor schedule. Two installation anchors at the jambs.
2. The number of installation anchors depicted is the minimum number of anchors to be used for product installation of the maximum size listed.
3. Install individual installation anchors within a tolerance of $\pm 1/2"$ the depicted location & spacing in the anchor layout details (I.E. without consideration of tolerances). Tolerances are not cumulative from one installation anchor to the next.
4. Shim as required at each installation anchor with load bearing shim(s). Maximum allowable shim stack to be $1/4"$. Shim where space of $1/16"$ or greater occurs. Shim(s) shall be constructed of high density plastic or better.
5. For masonry or concrete openings, 1x wood buck may be used (optional as long as the minimum embedment and edge distance requirements are still met within the corresponding host substrate). See general note #3 on the sheet 1 for more information.
6. Minimum embedment and edge distance exclude wall finishes, including but not limited to stucco, foam, brick veneer and siding.
7. Installation anchors and associated hardware must be made of corrosion resistant material or have a corrosion resistant coating.
8. For hollow block and grout filled block, do not install installation anchors into mortar joints. Edge distance is measured from free edge of block or edge of mortar joint into face shell of block.
9. Installation anchors shall be installed in accordance with anchor manufacturer's installation instructions, and anchors shall not be used in substrates with strengths less than the minimum

| ANCHOR SCHEDULE | | | | |
|---------------------------------|--|--|--|--------------------|
| METHOD | SUBSTRATE | ANCHOR SCHEDULE | MIN EMBEDMENT | MIN. EDGE DISTANCE |
| Through Frames (Heads/Jambs) | Wood: Min. SG=0.55 | #14 Wood Screw | 1.5" | 0.75" |
| | Metal: 18 Gauge Steel, Min. Fy=33KSI | #12 Self Drilling or Self Tapping Screw | 3 Threads Min Penetration Beyond Metal | 0.5" |
| | Metal: Aluminum Min. 1/8" Thickness Min. 6063-T5 | | | |
| | Concrete: f'c=3000PSI | 1/4" ITW Tapcon | 1.75" | 3" |
| | Masonry: CMU per ASTM C90 | 1/4" ITW Tapcon | 1.75" | 4" |

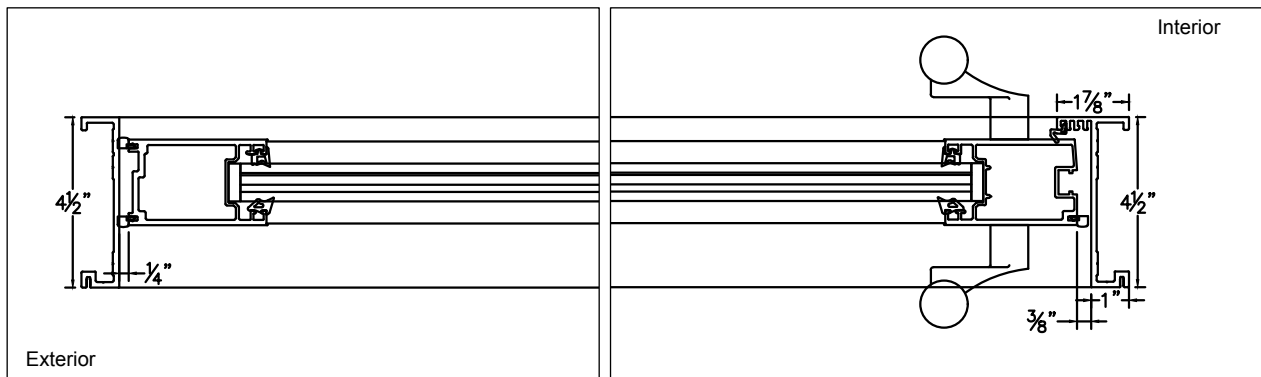
Single Pivot Configuration Shown



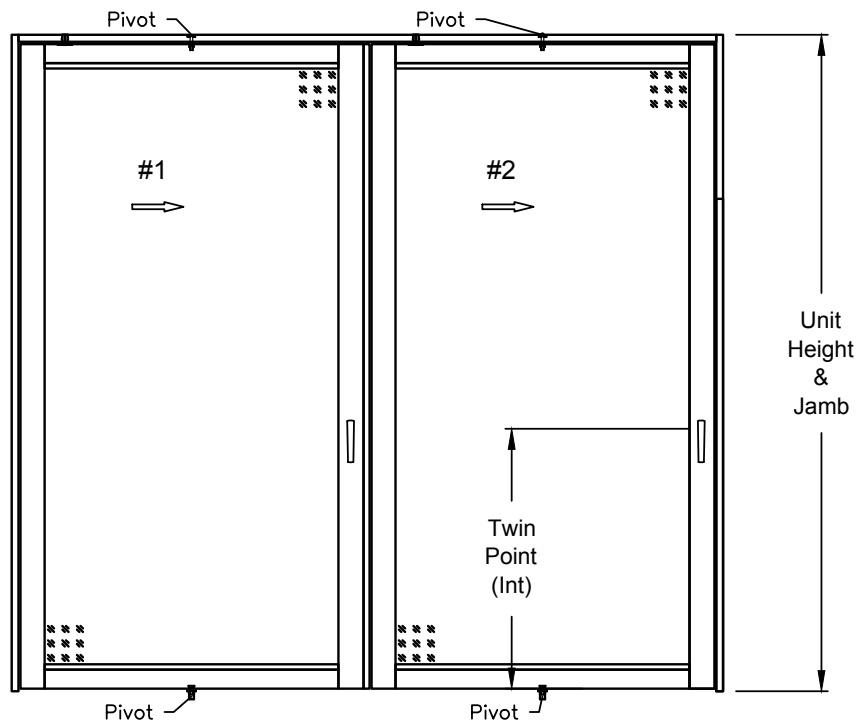
EXTERIOR ELEVATION



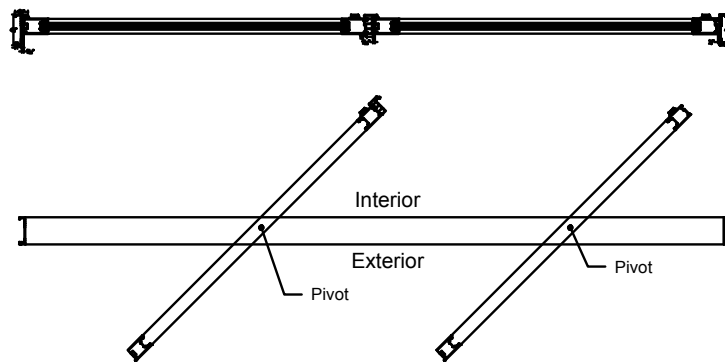
HORIZONTAL CROSS SECTION



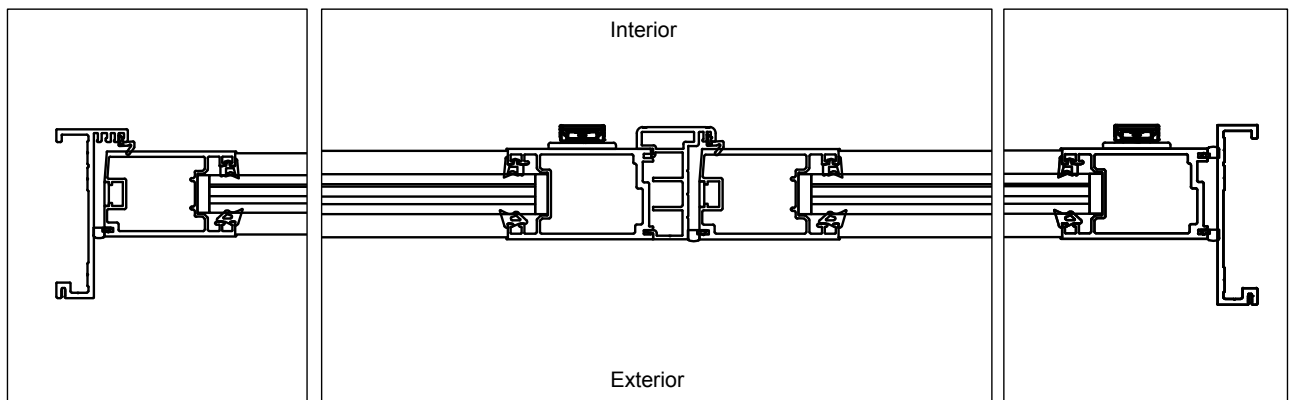
Double Pivot Configuration Shown



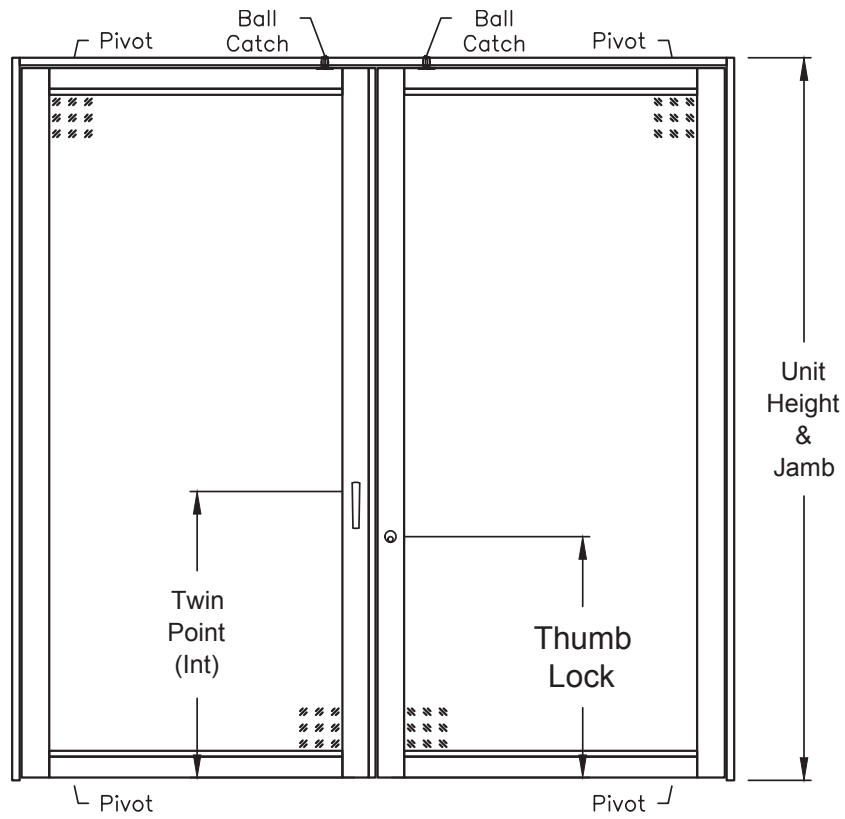
EXTERIOR ELEVATION



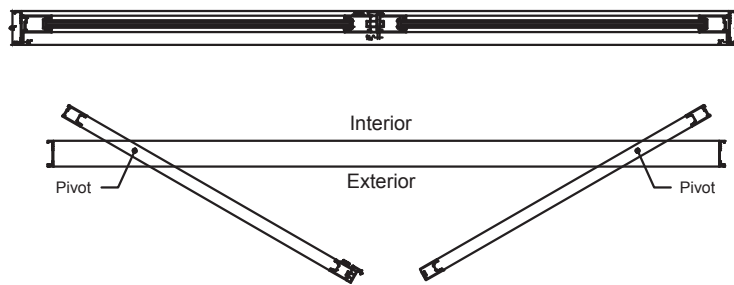
HORIZONTAL CROSS SECTION



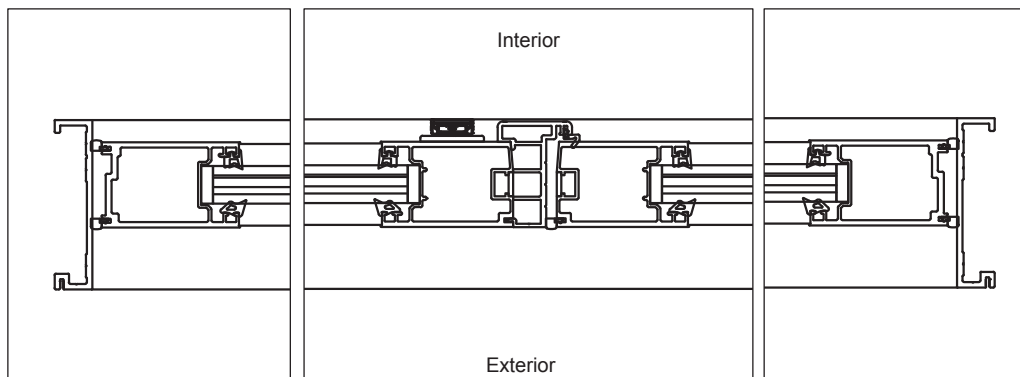
French Door Configuration Shown



EXTERIOR ELEVATION



HORIZONTAL CROSS SECTION



RECOMMENDED HEIGHT/WIDTH

Panel Width (Inches)

| | 60 | 64 | 68 | 72 | 76 | 80 | 84 | 88 | 92 | 96 | 100 |
|-----------------------|-----------|----|-----------|-----------|-----------|-----------|-----------|-----------|----|-----------|------------|
| Panel Height (Inches) | 72 | | | | | | | | | | Up to 100" |
| | 78 | | | | | | | | | | Up to 100" |
| | 84 | | | | | | | | | | Up to 100" |
| | 90 | | | | | | | | | | Up to 100" |
| | 96 | | | | | | | | | | Up to 100" |
| | 102 | | | | | | | | | | Up to 100" |
| | 108 | | | | | | | | | Up to 96" | |
| | 114 | | | | | | | Up to 88" | | | |
| | 120 | | | | | | Up to 84" | | | | |
| | 126 | | | | | Up to 80" | | | | | |
| | 132 | | | | Up to 76" | | | | | | |
| | 138 | | | Up to 72" | | | | | | | |
| | 144 | | | Up to 72" | | | | | | | |
| | 150 | | | Up to 68" | | | | | | | |
| | 156 | | Up to 64" | | | | | | | | |
| | 162 | | Up to 64" | | | | | | | | |
| 168 | Up to 60" | | | | | | | | | | |

Minimum Pivot Offset from Jamb (Inches)

Panel Width (Inches)

| 44 | 48 | 52 | 56 | 60 | 64 | 68 | 72 | 76 | 80 | 84 | 88 | 92 | 96 | 100 |
|----|----|----|----|----|----|----|----|----|----|----|----|----|----|-----|
| 7 | 7 | 7 | 7 | 7 | 7 | 8 | 11 | 14 | 18 | 21 | 24 | 26 | 29 | 32 |

EURO INTRA WALL™ FIXED GLASS WALL SYSTEM



The Euro Intra Wall™ single and multi units create a modern look for your commercial or residential property by providing architecturally sound and aesthetically pleasing design elements. The profiles of the storefront system make it ideal to pair with the Euro Intra Slide™ Multi Slide door system. For projects that go beyond the given specifications please contact your sales agent for consultation.

PANEL MINIMUM / MAXIMUM

SINGLE UNIT

MULTI UNIT

Max Single Lite Height or Width: 176"

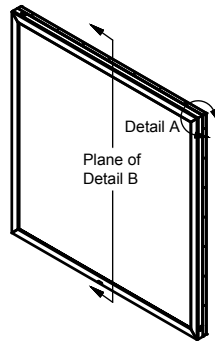
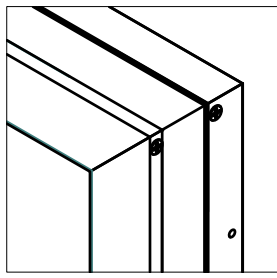
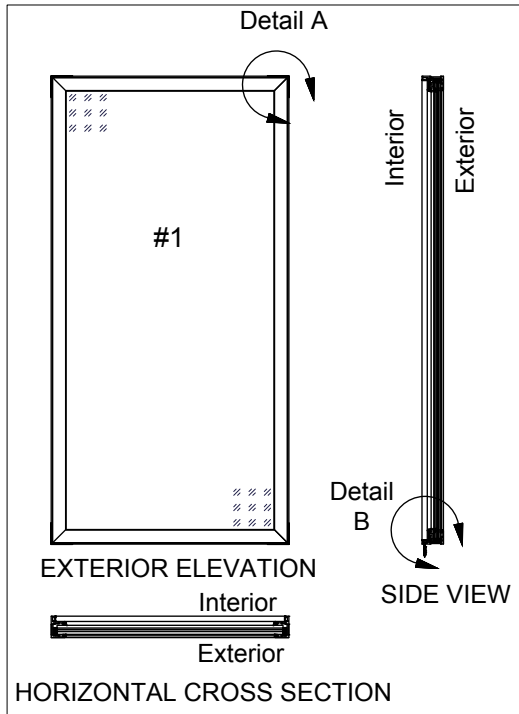
Max Multi Lite Height or Width: 160"

Min Lite Height or Width: 18"

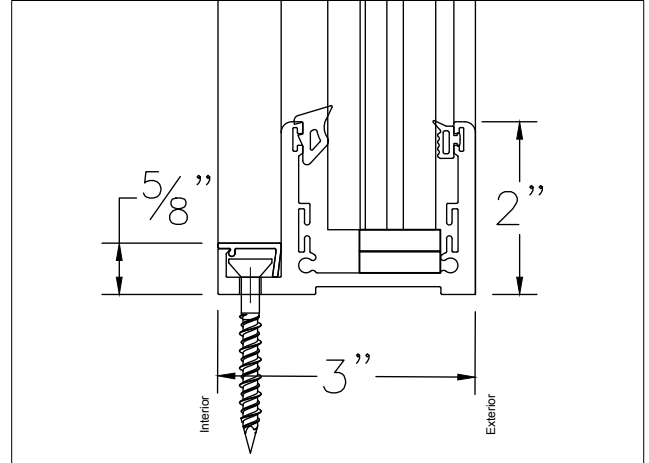
Min Lite Height or Width: 18"

Max # of Lites: Unlimited

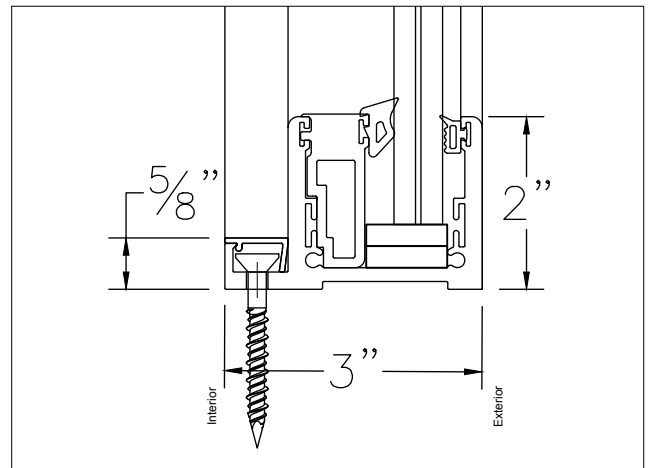
SINGLE UNIT DETAILS



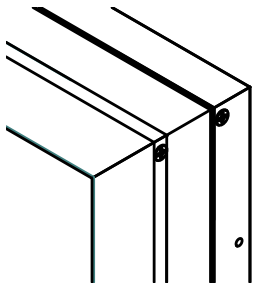
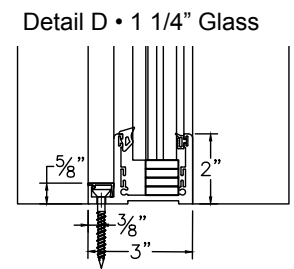
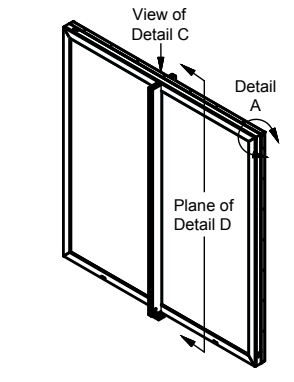
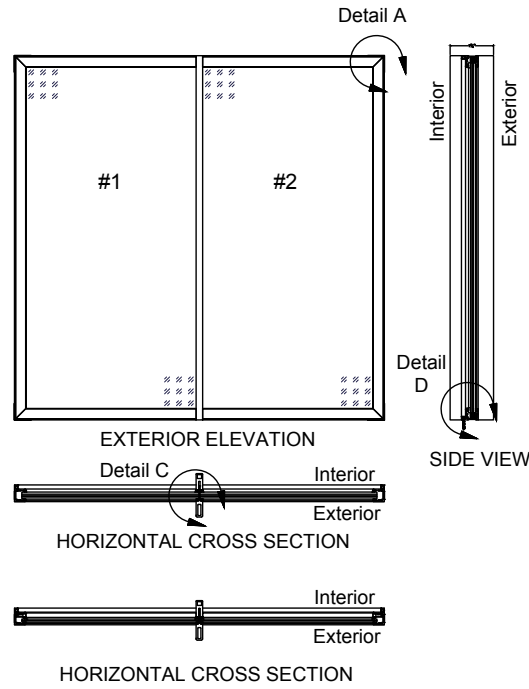
Detail B • 1 1/4" Glass



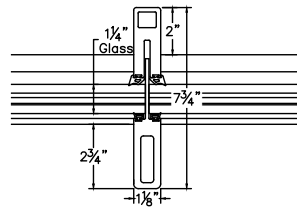
Detail B • 1/2" Glass



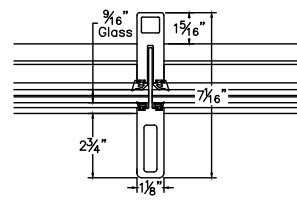
MULTI UNIT DETAILS



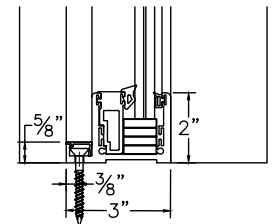
Detail A



Detail C • 1 1/4" Glass



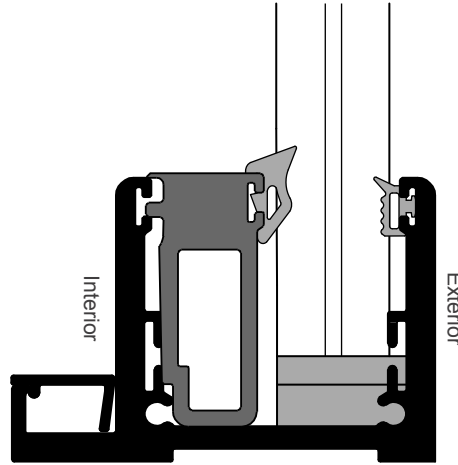
Detail C • 1/2" Glass



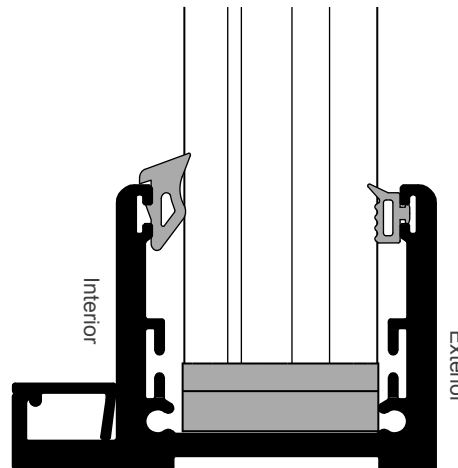
Detail D • 1/2" Glass

GLAZING DETAILS

9/16" Monolithic Glass



1 1/4" IG Glass



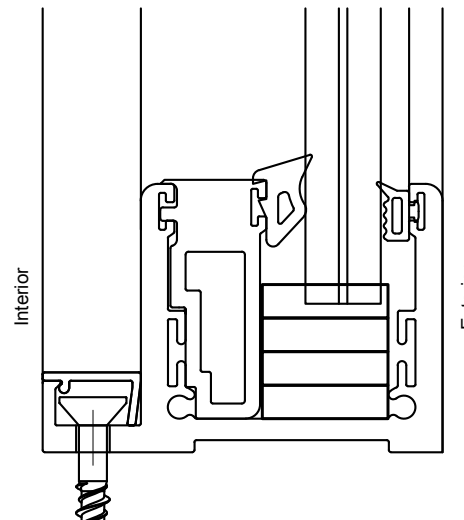
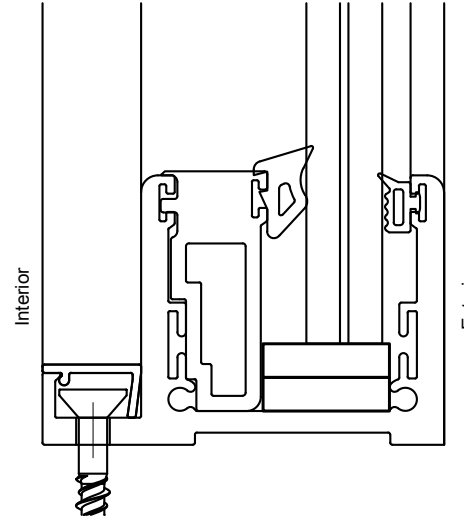
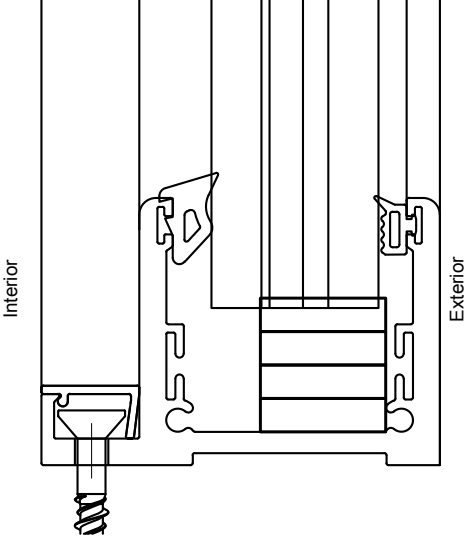
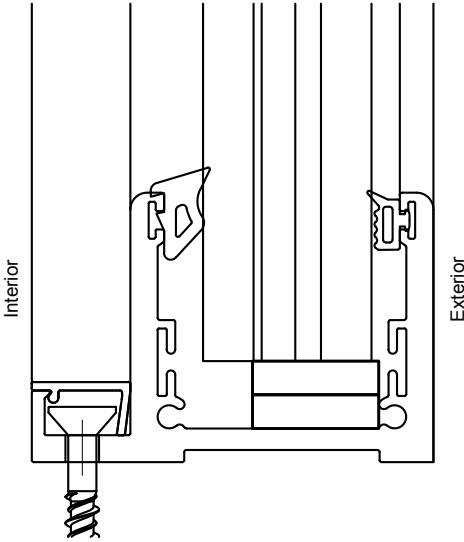
STC TESTING

Type: 1 1/4" IG Imp Clear PVB - STC

Makeup: 1/4 CL Temp - 1/2 Black Spacer - 1/4 CL HS \ .060PVB \ 3/16 CL HS

37
No Sill

ANCHOR DETAILS



RECOMMENDED HEIGHT/WIDTH

Single Unit
Panel Width (Inches)

| Panel Height (Inches) | Panel Width (Inches) | | | | | | | | | | | | | |
|-----------------------|----------------------|----|----|----|-----------|-----------|-----------|-----------|-----------|-----------|-----------|----|------------|------------|
| | 52 | 56 | 60 | 64 | 68 | 72 | 76 | 80 | 85 | 88 | 92 | 96 | 100 | 104 |
| 72 | | | | | | | | | | | | | | Up to 104" |
| 80 | | | | | | | | | | | | | | Up to 104" |
| 88 | | | | | | | | | | | | | | Up to 104" |
| 96 | | | | | | | | | | | | | | Up to 104" |
| 104 | | | | | | | | | | | | | | Up to 104" |
| 112 | | | | | | | | | | | | | | Up to 104" |
| 120 | | | | | | | | | | | | | Up to 100" | |
| 128 | | | | | | | | | | | Up to 92" | | | |
| 136 | | | | | | | | | | Up to 88" | | | | |
| 144 | | | | | | | | | Up to 85" | | | | | |
| 152 | | | | | | | | Up to 80" | | | | | | |
| 160 | | | | | | | Up to 76" | | | | | | | |
| 168 | | | | | | Up to 72" | | | | | | | | |
| 176 | | | | | Up to 68" | | | | | | | | | |

Multi Units
Panel Width (Inches)

| Panel Height (Inches) | Panel Width (Inches) | | | | | | | | | | | | | |
|-----------------------|----------------------|----|----|----|----|-----------|-----------|-----------|-----------|-----------|----|-----------|-----------|-----------|
| | 57 | 60 | 63 | 66 | 69 | 72 | 75 | 78 | 81 | 84 | 87 | 90 | 93 | 96 |
| 108 | | | | | | | | | | | | | | Up to 96" |
| 112 | | | | | | | | | | | | | | Up to 96" |
| 116 | | | | | | | | | | | | | | Up to 96" |
| 120 | | | | | | | | | | | | | | Up to 96" |
| 124 | | | | | | | | | | | | | | Up to 96" |
| 128 | | | | | | | | | | | | | | Up to 96" |
| 132 | | | | | | | | | | | | | | Up to 96" |
| 136 | | | | | | | | | | | | | Up to 93" | |
| 140 | | | | | | | | | | | | Up to 90" | | |
| 144 | | | | | | | | | | Up to 84" | | | | |
| 148 | | | | | | | | | Up to 81" | | | | | |
| 152 | | | | | | | | Up to 78" | | | | | | |
| 156 | | | | | | | Up to 75" | | | | | | | |
| 160 | | | | | | Up to 72" | | | | | | | | |



EURO-WALL 10 YEAR WARRANTY

Euro-Wall warrants the products to be free from manufacturing defects for a period of 10 years from the date of purchase.

888.989.EURO (3876)

www.euro-wall.com

euro-wall[®]

FOLDING | SLIDING | STACKING | PIVOT

MANUFACTURING

2200 Murphy Court
North Port, Florida 34289
888.989.3876 • 941.979.5316

SHOWROOM

1211 Stirling Road, Unit 102,
Dania Beach, Florida 33004
941.979.5316

Proud Member of the American Architectural Manufacturers Association.

