

9/29/2023 1:43 PM
 s:\projects\eurowall-systems\fb-c-23-0818 - fbc submittal - fbc submittal - fbc submittal - ew holdings of florida llc name change\dwg\F22410\ews018.dwg

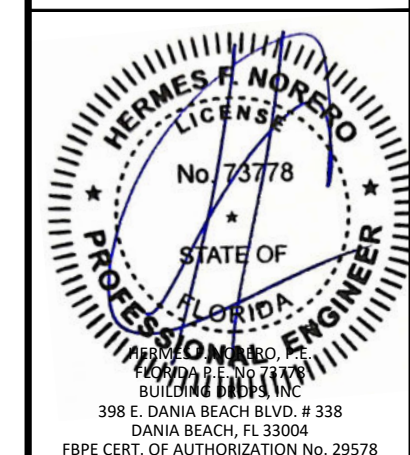
TITLE: EURO-PIVOT INSWING AND OUTSWING DOOR (HVHZ) (IMPACT) VERTICAL SECTIONS

PREPARED BY: **BUILDING DROPS, INC.**
398 E. DANIA BEACH BLVD., STE. 338
DANIA BEACH, FL 33004
PH: (954) 959-8478
FAX: (954) 744-4738
WEB: www.buildingdrops.com

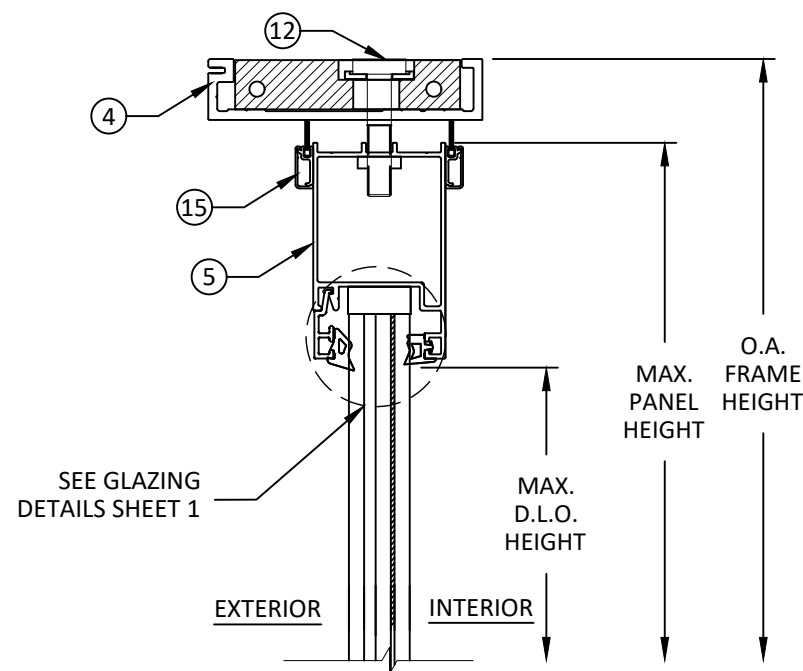


| REMARKS | BY | DATE |
|-------------------|----|---------|
| NEW TESTING | LL | 4.4.21 |
| MISC. UPDATE | OL | 6.16.23 |
| COMPANY NAME UPD. | SH | 9.29.23 |

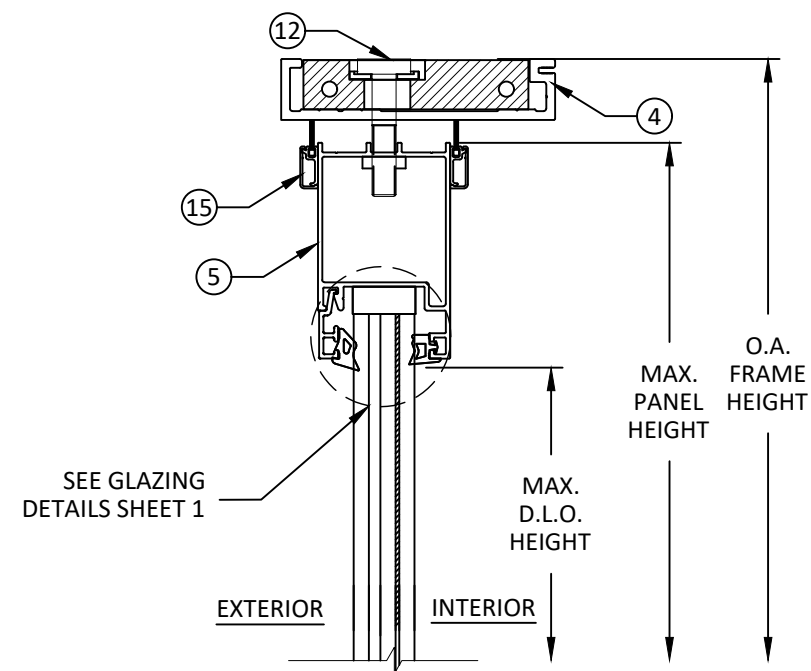
THE INSTALLATION DETAILS DESCRIBED HEREIN ARE GENERIC AND MAY NOT REFLECT ACTUAL CONDITIONS FOR A SPECIFIC SITE. IF SITE CONDITIONS CAUSE INSTALLATION TO DEVIATE FROM THE REQUIREMENTS DETAILED HEREIN, A LICENSED ENGINEER OR ARCHITECT SHALL PREPARE SITE SPECIFIC DOCUMENTS FOR USE WITH THIS DOCUMENT.



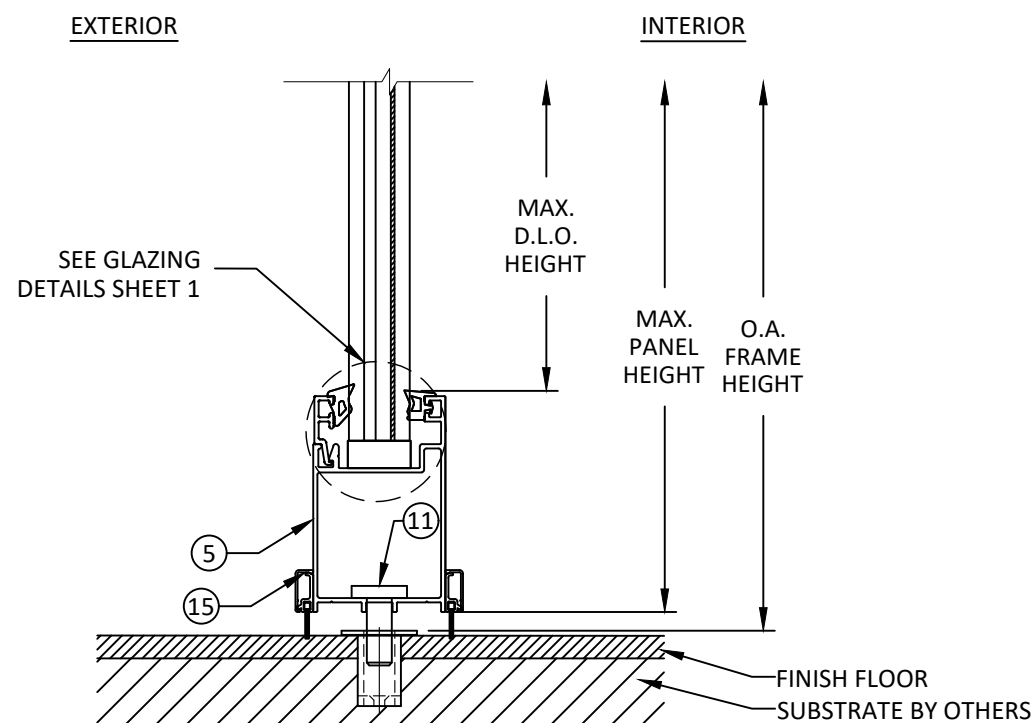
| | |
|----------|-----------------|
| FL #: | FL22410 |
| DATE: | 11.19.20 |
| DWG. BY: | YC |
| CHK. BY: | HFN |
| SCALE: | NTS |
| DWG. #: | EWS018 |
| SHEET: | 4 |



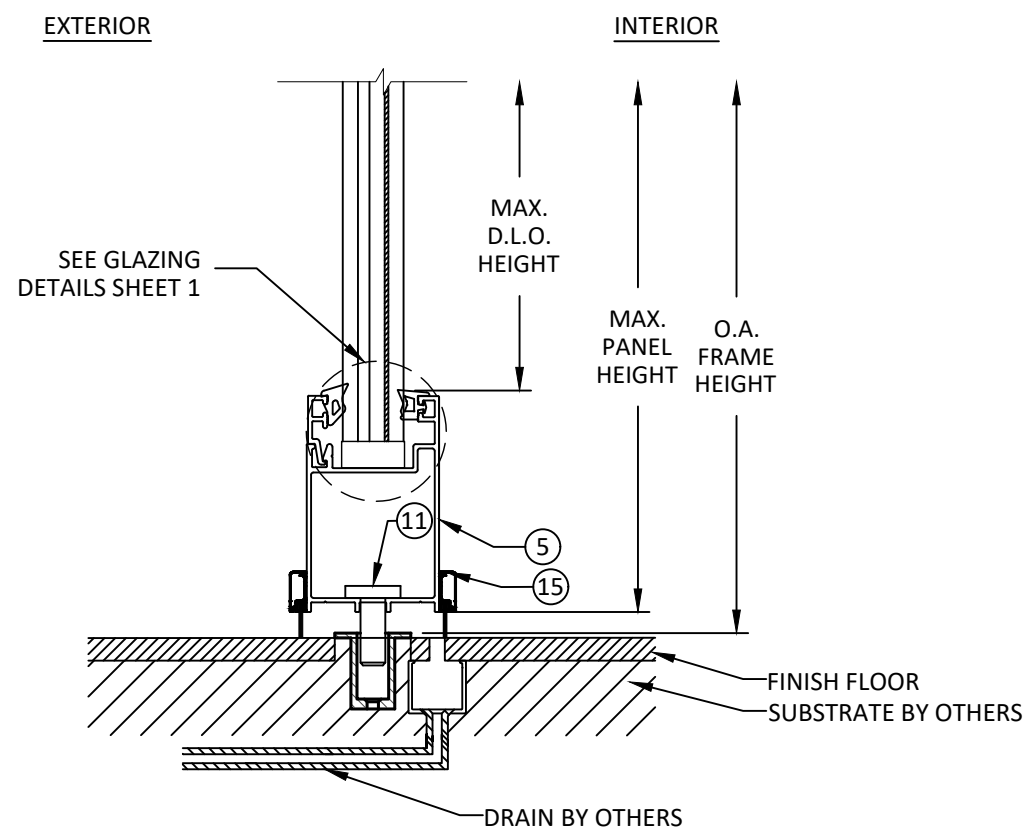
A
4 VERTICAL SECTION
OUTSWING DOOR



B
4 VERTICAL SECTION
INSWING DOOR



C
4 VERTICAL SECTION
TYPICAL FOR I/S OR O/S
WITHOUT DRAINAGE

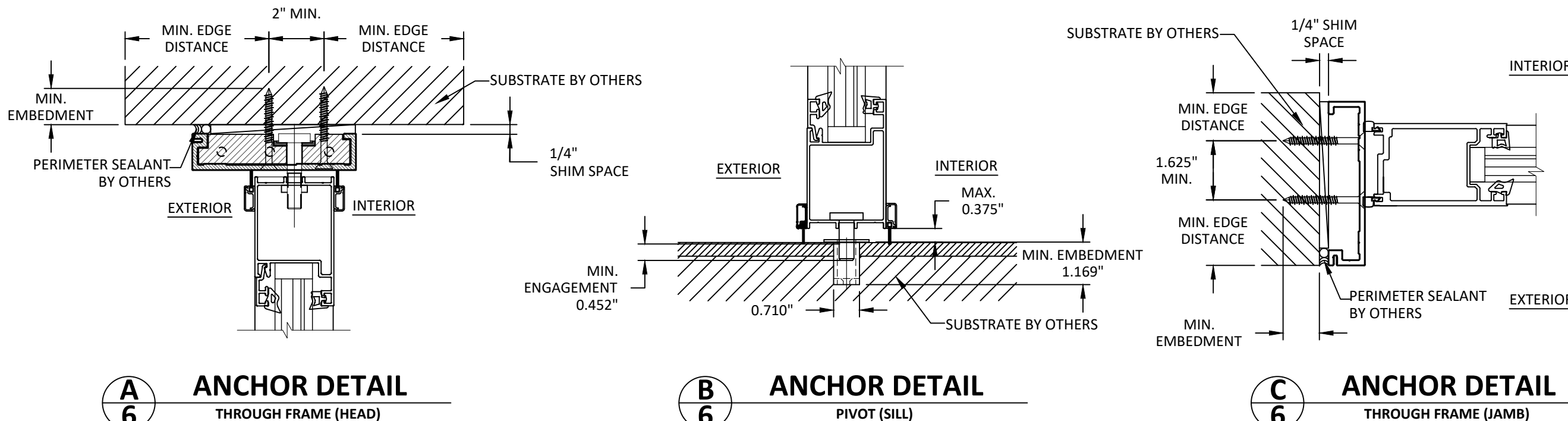


D
4 VERTICAL SECTION
TYPICAL FOR I/S OR O/S
WITH DRAINAGE

INSTALLATION NOTES:

- ONE (1) INSTALLATION ANCHOR IS REQUIRED AT EACH ANCHOR LOCATION SHOWN UNLESS SPECIFIED IN THE ANCHOR SCHEDULE. TWO (2) INSTALLATION ANCHORS AT THE JAMBS.
- THE NUMBER OF INSTALLATION ANCHORS DEPICTED IS THE MINIMUM NUMBER OF ANCHORS TO BE USED FOR PRODUCT INSTALLATION OF THE MAXIMUM SIZE LISTED.
- INSTALL INDIVIDUAL INSTALLATION ANCHORS WITHIN A TOLERANCE OF ±1/2 INCH THE DEPICTED LOCATION & SPACING IN THE ANCHOR LAYOUT DETAILS (I.E., WITHOUT CONSIDERATION OF TOLERANCES). TOLERANCES ARE NOT CUMULATIVE FROM ONE INSTALLATION ANCHOR TO THE NEXT.
- SHIM AS REQUIRED AT EACH INSTALLATION ANCHOR WITH LOAD BEARING SHIM(S). MAXIMUM ALLOWABLE SHIM STACK TO BE 1/4 INCH. SHIM WHERE SPACE OF 1/16 INCH OR GREATER OCCURS. SHIM(S) SHALL BE CONSTRUCTED OF HIGH DENSITY PLASTIC OR BETTER.
- FOR MASONRY OR CONCRETE OPENINGS, 1X WOOD BUCK MAY BE USED (OPTIONAL AS LONG AS THE MINIMUM EMBEDMENT AND EDGE DISTANCE REQUIREMENTS ARE STILL MET WITHIN THE CORRESPONDING HOST SUBSTRATE.) SEE GENERAL NOTE #3 ON SHEET 1 FOR MORE INFORMATION.
- MINIMUM EMBEDMENT AND EDGE DISTANCE EXCLUDE WALL FINISHES, INCLUDING BUT NOT LIMITED TO STUCCO, FOAM, BRICK VENEER, AND SIDING.
- INSTALLATION ANCHORS AND ASSOCIATED HARDWARE MUST BE MADE OF CORROSION RESISTANT MATERIAL OR HAVE A CORROSION RESISTANT COATING.
- FOR HOLLOW BLOCK AND GROUT FILLED BLOCK, DO NOT INSTALL INSTALLATION ANCHORS INTO MORTAR JOINTS. EDGE DISTANCE IS MEASURED FROM FREE EDGE OF BLOCK OR EDGE OF MORTAR JOINT INTO FACE SHELL OF BLOCK.
- INSTALLATION ANCHORS SHALL BE INSTALLED IN ACCORDANCE WITH ANCHOR MANUFACTURER'S INSTALLATION INSTRUCTIONS, AND ANCHORS SHALL NOT BE USED IN SUBSTRATES WITH STRENGTHS LESS THAN THE MINIMUM STRENGTH SPECIFIED BY THE ANCHOR MANUFACTURER.

| ANCHOR SCHEDULE | | | | |
|----------------------------|---|---|--|--------------------|
| METHOD | SUBSTRATE | ANCHOR SCHEDULE | MIN EMBEDMENT | MIN. EDGE DISTANCE |
| THROUGH FRAME (HEAD/JAMBS) | WOOD: MIN. SG = 0.55 | #14 WOOD SCREW | 1.5" | 0.75" |
| | METAL: 18 GAUGE STEEL, MIN. Fy = 33KSI | #12 SELF DRILLING OR SELF TAPPING SCREW | 3 THREADS MIN PENETRATION BEYOND METAL | 0.50" |
| | METAL: ALUMINUM MIN. 1/8" THICKNESS. MIN. 6063-T5 | | | |
| | CONCRETE: f'c=3000PSI | 1/4" ITW TAPCON | 1.75" | 3.00" |
| | MASONRY: CMU per ASTM C90 | 1/4" ITW TAPCON | 1.75" | 4.00" |



A
6

B
6

C
6

OUTSWING DETAILS SHOWN,
INSWING SIMILAR

TITLE: EURO-PIVOT INSWING AND OUTSWING DOOR (HVHZ) (IMPACT)
INSTALLATION NOTES & ANCHOR TABLE

PREPARED BY: BUILDING DROPS, INC.
398 E. DANIA BEACH BLVD., STE. 338
DANIA BEACH, FL 33004
PH: (954)999-8478
FAX: (954)744-4738
WEB: www.buildingdrops.com

| REMARKS | BY | DATE |
|-------------------|----|---------|
| NEW TESTING | LL | 4.4.21 |
| MISC. UPDATE | OL | 6.16.23 |
| COMPANY NAME UPD. | SH | 9.29.23 |

THE INSTALLATION DETAILS DESCRIBED HEREIN ARE GENERIC AND MAY NOT REFLECT ACTUAL CONDITIONS FOR A SPECIFIC SITE. IF SITE CONDITIONS CAUSE INSTALLATION TO DEVIATE FROM THE REQUIREMENTS DETAILED HEREIN, A LICENSED ENGINEER OR ARCHITECT SHALL PREPARE SITE SPECIFIC DOCUMENTS FOR USE WITH THIS DOCUMENT.

HERMES F. NORERO
LICENSE
No. 73778
STATE OF FLORIDA
PROFESSIONAL ENGINEER
HERMES F. NORERO, P.E.
FLORIDA P.E. No. 73778
BUILDING DROPS, INC.
398 E. DANIA BEACH BLVD. # 338
DANIA BEACH, FL 33004
FBPE CERT. OF AUTHORIZATION No. 29578

FL #: **FL22410**

DATE: **11.19.20**

DWG. BY: **YC** | CHK. BY: **HFN**

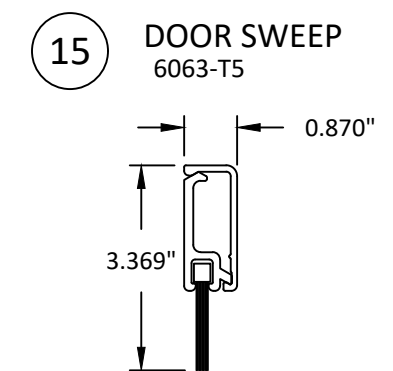
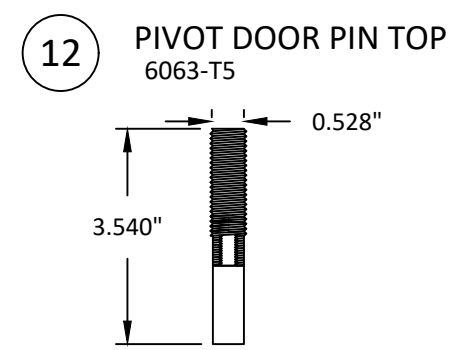
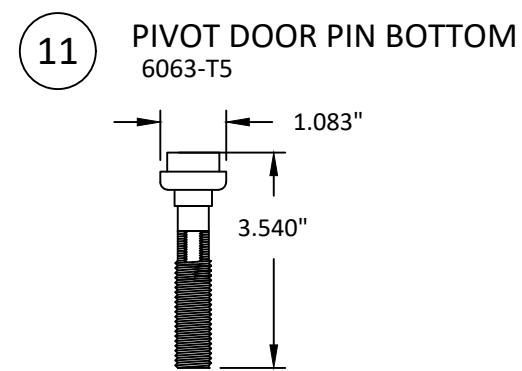
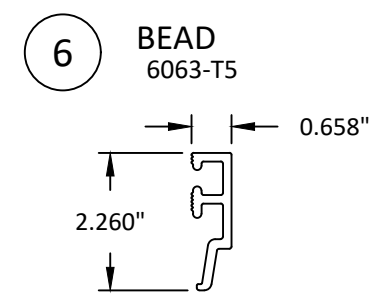
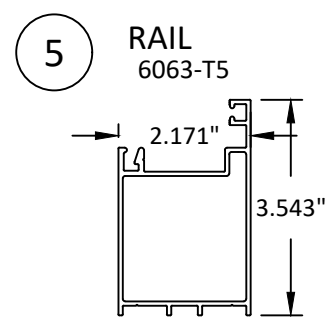
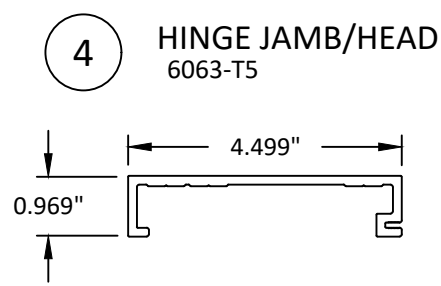
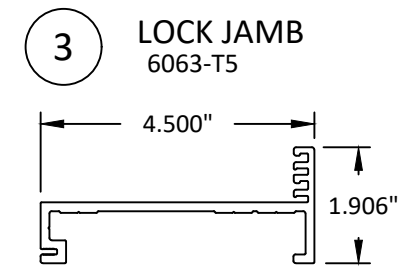
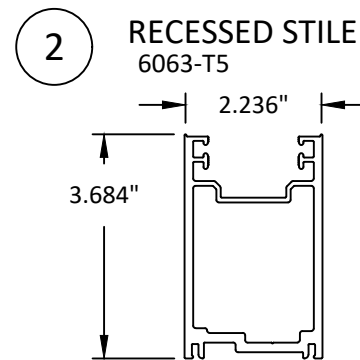
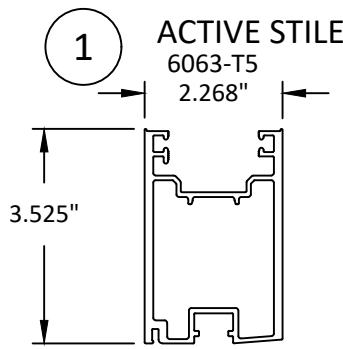
SCALE: **NTS**

DWG. #: **EWS018**

SHEET: **6**

s:\projects\eurowall-systems\fbcs-23-0818 - fbc submittal - fbc submittal - ew holdings of florida llc name change\dwgs\fbcs22410\ews018.dwg
 9/29/2023 1:43 PM

| BILL OF MATERIALS | | | |
|-------------------|------------|-------------------------------|------------|
| NO | PART # | DESCRIPTION | MATERIAL |
| 1 | E0027-A C3 | ACTIVE STILE | 6063-T5 |
| 2 | E0036-A C3 | RECESSED STILE | 6063-T5 |
| 3 | E0033-A C3 | LOCK JAMB | 6063-T5 |
| 4 | E0045-A PV | HINGE JAMB/HEAD | 6063-T5 |
| 5 | E0035-A C3 | RAIL | 6063-T5 |
| 6 | E0010-A C3 | BEAD | 6063-T5 |
| 7 | C0057-A | GLAZING-PIVOT 7/8" | 6063-T5 |
| 8 | C0058-A | BEDDING-PIVOT | 6063-T5 |
| 9 | C0112-A | BIG P WEATHER STRIPPING-PANEL | URETHANE |
| 10 | C0114-A | FRAME WEATHER STRIPPING | URETHANE |
| 11 | C0038-A | PIVOT DOOR PIN BOTTOM | SS |
| 12 | C0039-A | PIVOT DOOR PIN TOP | SS |
| 13 | C0062-A | TWIN POINT HANDLE SHORT | STEEL ASSY |
| 14 | C0064-A | MULTIPOINT HANDLE | STEEL ASSY |
| 15 | C0053-A | DOOR SWEEP | NYLON |
| 16 | E0062-A | C3 REDUCER BAR .25in | 6063-T5 |
| 17 | E0063-A | C3 REDUCER BAR 9/16 | 6063-T5 |
| 18 | THUMB TURN | THUMB TURN | STEEL |
| 19 | E0031-A | CORNER KEY | 6063-T5 |
| 20 | PULL BAR | PULL BAR | ALLOY |



eurowall
SUPERIOR BY DESIGN

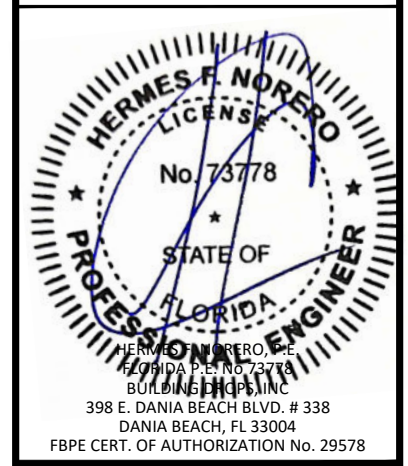
EURO-WALL, LLC
P.O. BOX 8007
NORTH PORT, FL 34290
PH: 888-989-3876

TITLE: EURO-PIVOT INSWING AND OUTSWING DOOR (HVHZ) (IMPACT) BILL OF MATERIALS

PREPARED BY: BUILDING DROPS, INC.
398 E. DANIA BEACH BLVD., STE. 338
DANIA BEACH, FL 33004
PH: (954)399-8478
FAX: (954)744-4738
WEB: www.buildingdrops.com

| REMARKS | BY | DATE |
|-------------------|----|---------|
| NEW TESTING | LL | 4.4.21 |
| MISC. UPDATE | OL | 6.16.23 |
| COMPANY NAME UPD. | SH | 9.29.23 |

THE INSTALLATION DETAILS DESCRIBED HEREIN ARE GENERIC AND MAY NOT REFLECT ACTUAL CONDITIONS FOR A SPECIFIC SITE. IF SITE CONDITIONS CAUSE INSTALLATION TO DEVIATE FROM THE REQUIREMENTS DETAILED HEREIN, A LICENSED ENGINEER OR ARCHITECT SHALL PREPARE SITE SPECIFIC DOCUMENTS FOR USE WITH THIS DOCUMENT.



| | |
|----------|-----------------|
| FL #: | FL22410 |
| DATE: | 11.19.20 |
| DWG. BY: | YC |
| CHK. BY: | HFN |
| SCALE: | NTS |
| DWG. #: | EWS018 |
| SHEET: | 7 |