

z:\projects\euro-wall, llc\fbc-21-0626 - fbc submittal - revision euro c5 folding door system\dwgs\ews036.dwg 2/23/2024 3:38 PM

# Euro-Wall, LLC

## EURO C5 FOLDING DOOR SYSTEM (HVHZ) (IMPACT)



EURO-WALL, LLC  
P.O. BOX 8007  
NORTH PORT, FL 34290  
PH: (888) 989-3876

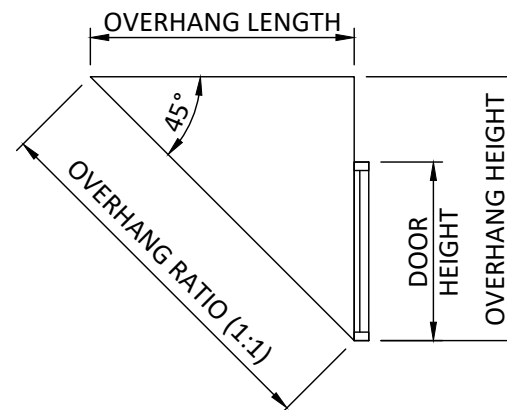
**GENERAL NOTES:**

- THE PRODUCT SHOWN HEREIN IS DESIGNED AND MANUFACTURED TO COMPLY WITH THE CURRENT FLORIDA BUILDING CODE (FBC), **INCLUDING** HVHZ AND HAS BEEN EVALUATED ACCORDING TO THE FOLLOWING:
  - TAS 201-94
  - TAS 202-94
  - TAS 203-94
- ADEQUACY OF THE EXISTING STRUCTURAL CONCRETE/MASONRY, 2X AND METAL STUD FRAMING AS A MAIN WIND FORCE RESISTING SYSTEM CAPABLE OF WITHSTANDING AND TRANSFERRING APPLIED PRODUCT LOADS TO THE FOUNDATION IS THE RESPONSIBILITY OF THE ENGINEER OR ARCHITECT OF RECORD FOR THE PROJECT OF INSTALLATION.
- 1X AND 2X BUCKS (WHEN USED) SHALL BE DESIGNED AND ANCHORED TO PROPERLY TRANSFER ALL LOADS TO THE STRUCTURE. BUCK DESIGN AND INSTALLATION IS THE RESPONSIBILITY OF THE ENGINEER OR ARCHITECT OF RECORD FOR THE PROJECT OF INSTALLATION.
- THE INSTALLATION DETAILS DESCRIBED HEREIN ARE GENERIC AND MAY NOT REFLECT ACTUAL CONDITIONS FOR A SPECIFIC SITE. IF SITE CONDITIONS CAUSE INSTALLATION TO DEVIATE FROM THE REQUIREMENTS DETAILED HEREIN, A LICENSED ENGINEER OR ARCHITECT SHALL PREPARE SITE SPECIFIC DOCUMENTS FOR USE WITH THIS DOCUMENT.
- APPROVED IMPACT PROTECTIVE SYSTEM **IS NOT REQUIRED** TO PROTECT THIS PRODUCT IN AREAS REQUIRING IMPACT RESISTANCE.
- FRAME MATERIAL: ALUMINUM 6063-T5.
- GLASS MEET THE REQUIREMENTS OF ASTM E1300. SEE GLAZING DETAILS ON SHEET 2 & 3.

| TABLE OF CONTENTS |  |
|-------------------|--|
| SHEET             | SHEET DESCRIPTION                        |
| 1                 | GENERAL NOTES AND TABLE OF CONTENTS      |
| 2                 | GLAZING DETAILS                          |
| 3                 | GLAZING DETAILS CONTINUED                |
| 4                 | ELEVATIONS                               |
| 5                 | ANCHOR LAYOUTS AND DESIGN PRESSURE TABLE |
| 6                 | OUTSWING VERTICAL SECTIONS               |
| 7                 | INSWING VERTICAL SECTIONS                |
| 8                 | OUTSWING HORIZONTAL SECTIONS             |
| 9                 | INSWING HORIZONTAL SECTIONS              |
| 10                | ANCHOR DETAILS                           |

| FRAME SIZE  | DESIGN PRESSURE | MISSILE IMPACT RATING        |
|-------------|-----------------|------------------------------|
| SEE SHEET 5 | SEE SHEET 5     | LARGE & SMALL MISSILE IMPACT |

NOTE: WHEN INSTALLED AT A LOCATION PROTECTED BY AN OVERHANG SUCH THAT:  
 OVERHANG (OH) RATIO = OH LENGTH ÷ OH HEIGHT IS  $\geq 1.0$ ,  
 WATER INFILTRATION REQUIREMENT DOES NOT NEED TO BE MET



TITLE: EURO C5 FOLDING DOOR SYSTEM (HVHZ) (IMPACT)

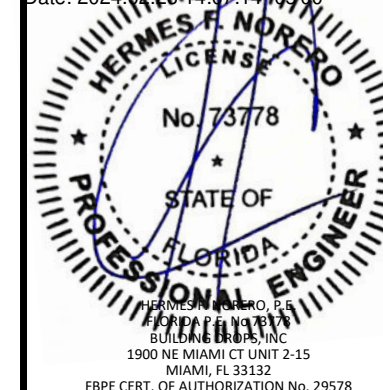
GENERAL NOTES & TABLE OF CONTENTS

PREPARED BY: BUILDING DROPS, INC.  
1900 NE MIAMI CT UNIT 2-15  
MIAMI, FL 33132  
PH: (954) 399-8478  
FAX: (954) 474-4738  
WEB: www.buildingdrops.com

| REMARKS | BY | DATE |
|---------|----|------|
|         |    |      |
|         |    |      |
|         |    |      |

THE INSTALLATION DETAILS DESCRIBED HEREIN ARE GENERIC AND MAY NOT REFLECT ACTUAL CONDITIONS FOR A SPECIFIC SITE. IF SITE CONDITIONS CAUSE INSTALLATION TO DEVIATE FROM THE REQUIREMENTS DETAILED HEREIN, A LICENSED ENGINEER OR ARCHITECT SHALL PREPARE SITE SPECIFIC DOCUMENTS FOR USE WITH THIS DOCUMENT.

Digitally signed by Hermes F. Norero, P.E.  
Reason: I am approving this document  
Date: 2024.02.26 14:07:14 -05'00'



FL #: **FL27023**

DATE: **12.07.23**

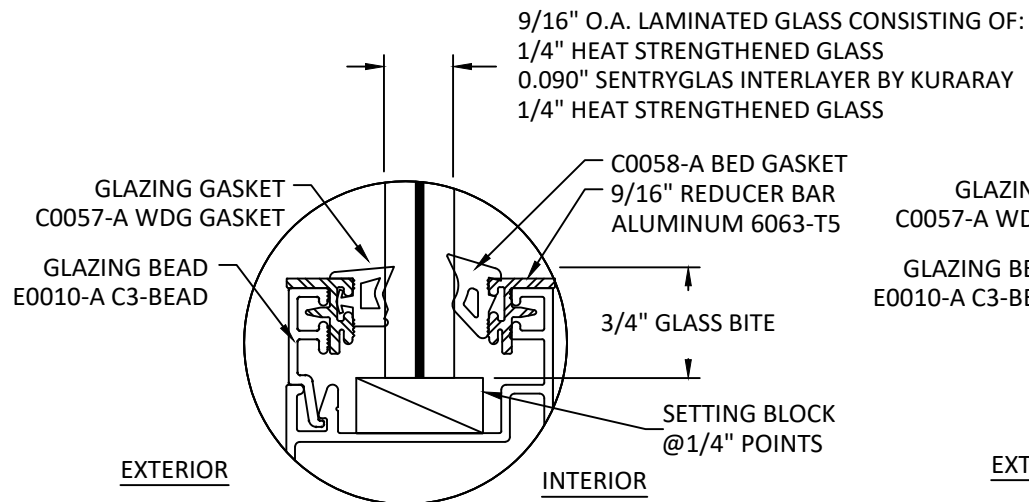
|                    |                    |
|--------------------|--------------------|
| DWG. BY: <b>DI</b> | CHK. BY: <b>SM</b> |
|--------------------|--------------------|

SCALE: **NTS**

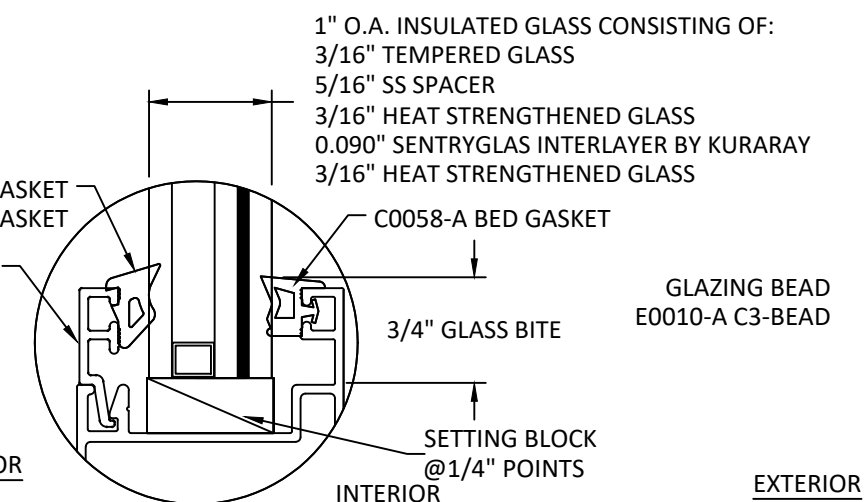
DWG. #: **EWS036**

SHEET **1** OF 10

2/23/2024 3:38 PM



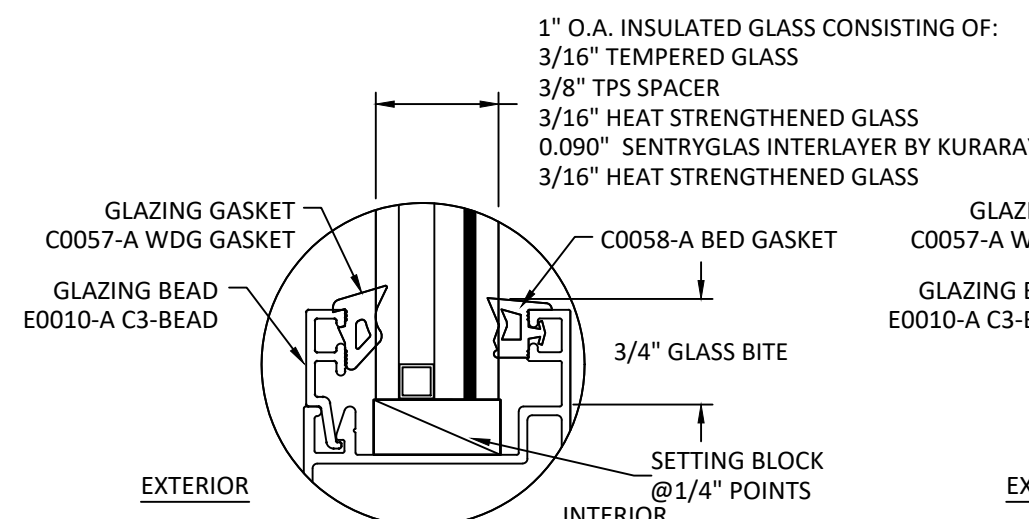
**GLAZING DETAIL 1**



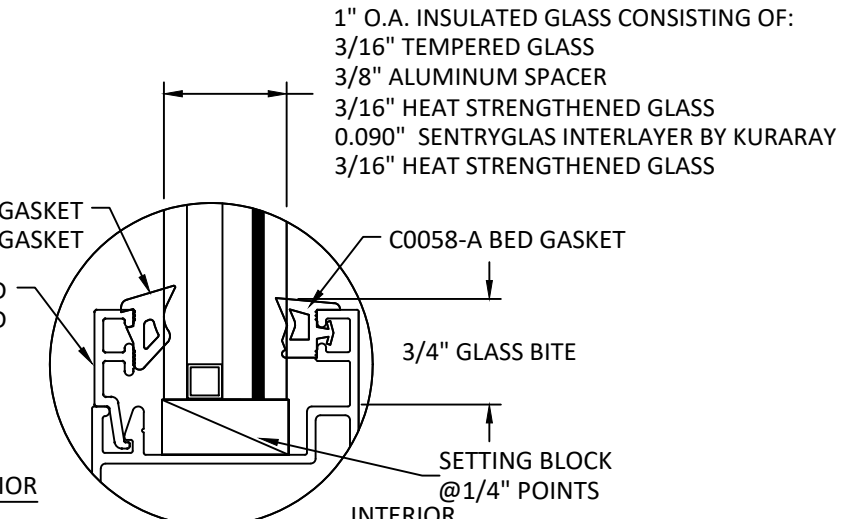
**GLAZING DETAIL 2**

**GLAZING NOTES:**

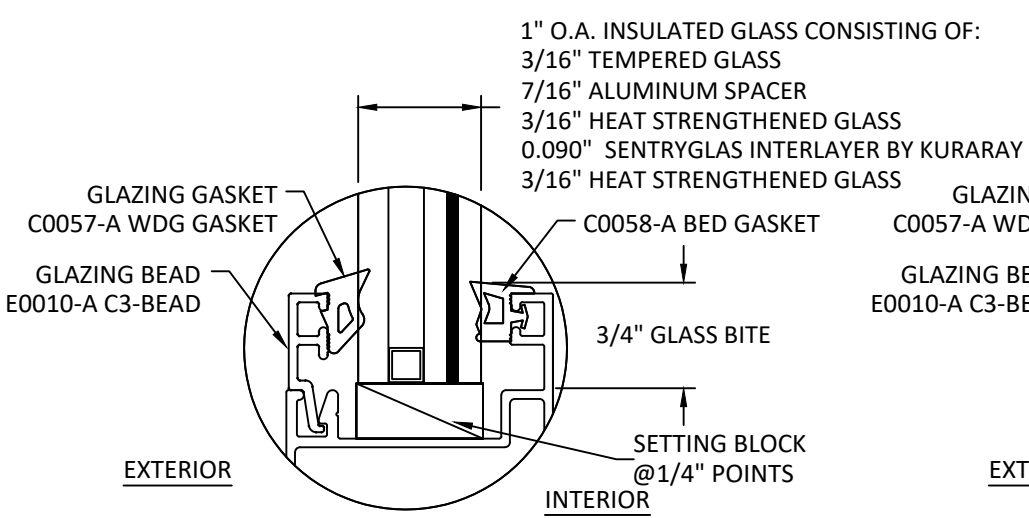
1. GLASS TYPE COMPLIES WITH ASTM E1300 REQUIREMENTS AS WELL AS APPLICABLE SAFETY GLAZING REQUIREMENTS PER THE FBC. THICKNESS, TEMPER, AND SAFETY GLAZING REQUIREMENTS SHALL BE REVIEWED ON A SITE SPECIFIC BASIS.
2. SETTING BLOCK DUROMETER HARDNESS OF 70-90 (SHORE A) AS REFERENCED IN FBC CHAPTER 24
3. SETTING BLOCKS TO BE LOCATED AT 1/4 SPAN LENGTH FOR GLASS WIDER THAN 36" AS PER FBC CHAPTER 24.
4. D.L.O AND DESIGN PRESSURES MAY NOT EXCEED MAX VALUES IN ELEVATIONS.



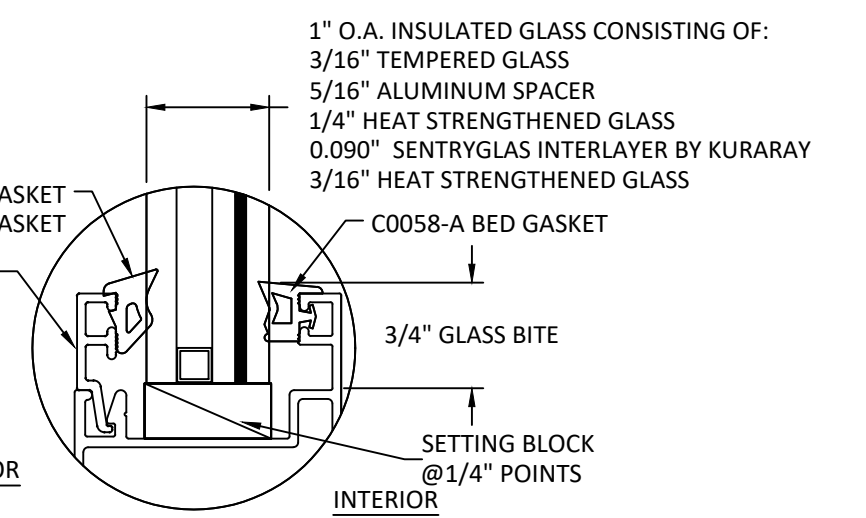
**GLAZING DETAIL 3**



**GLAZING DETAIL 4**



**GLAZING DETAIL 5**



**GLAZING DETAIL 6**

TITLE: EURO C5 FOLDING DOOR SYSTEM (HVHZ) (IMPACT)

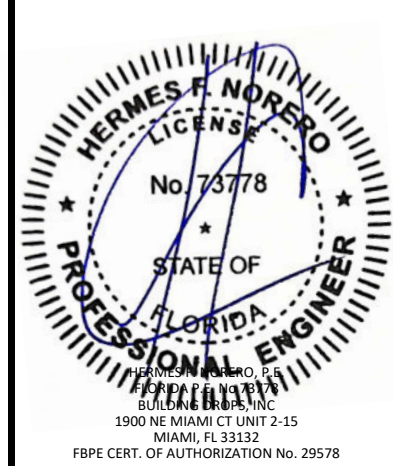
GLAZING DETAILS

PREPARED BY: BUILDING DROPS, INC.  
1900 NE MIAMI CT UNIT 2-15  
MIAMI, FL 33132  
PH: (954) 399-8478  
FAX: (954) 474-4738  
WEB: www.buildingdrops.com



| REMARKS | BY | DATE |
|---------|----|------|
|         |    |      |
|         |    |      |
|         |    |      |

THE INSTALLATION DETAILS DESCRIBED HEREIN ARE GENERIC AND MAY NOT REFLECT ACTUAL CONDITIONS FOR A SPECIFIC SITE. IF SITE CONDITIONS CAUSE INSTALLATION TO DEVIATE FROM THE REQUIREMENTS DETAILED HEREIN, A LICENSED ENGINEER OR ARCHITECT SHALL PREPARE SITE SPECIFIC DOCUMENTS FOR USE WITH THIS DOCUMENT.



FL #: **FL27023**

DATE: **12.07.23**

DWG. BY: **DI**      CHK. BY: **SM**

SCALE: **NTS**

DWG. #: **EWS036**

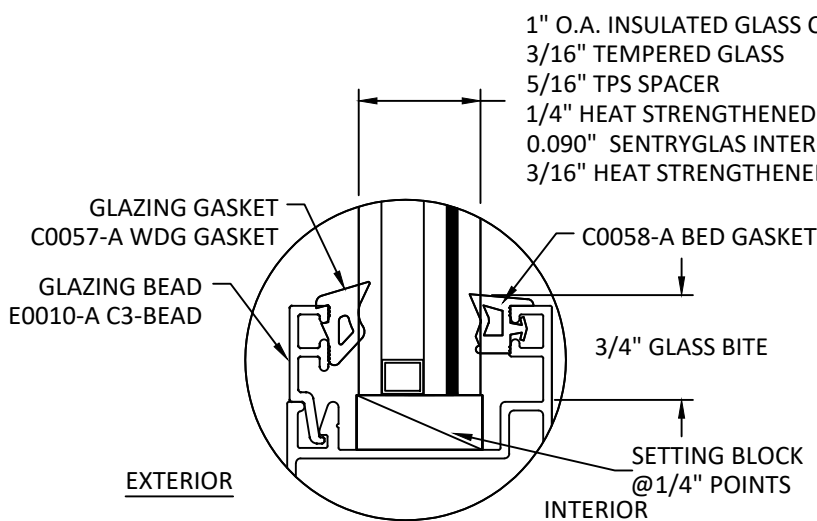
SHEET **2** OF 10

z:\projects\euro-wall, llc\fbc-21-0626 - fbc submittal - revision euro c5 folding door system\dwgs\ews036.dwg 2/23/2024 3:38 PM

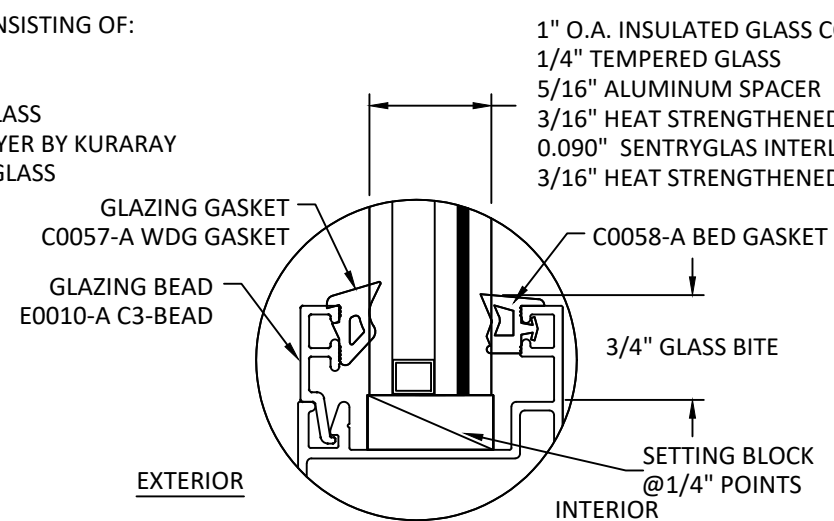
TITLE:  
**EURO C5 FOLDING DOOR SYSTEM  
(HVHZ) (IMPACT)**

GLAZING DETAILS CONTINUED

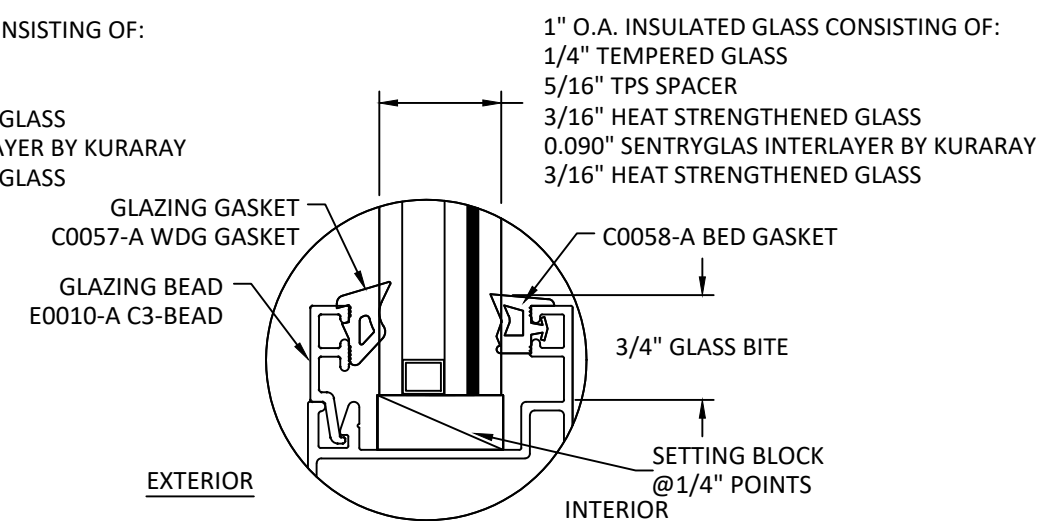
PREPARED BY:  
**BUILDING DROPS, INC.**  
1900 NE MIAMI CT UNIT 2-15  
MIAMI, FL 33132  
PH: (954) 399-8478  
FAX: (954) 474-4738  
WEB: www.buildingdrops.com



**GLAZING DETAIL 7**



**GLAZING DETAIL 8**

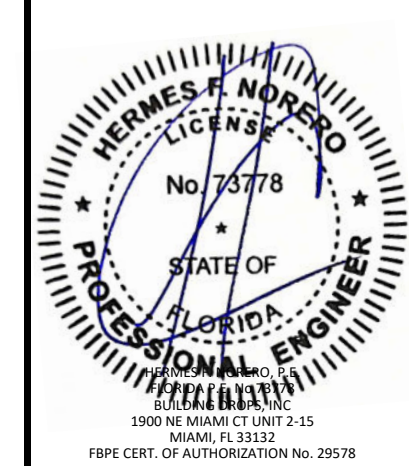


**GLAZING DETAIL 9**

- GLAZING NOTES:**
- GLASS TYPE COMPLIES WITH ASTM E1300 REQUIREMENTS AS WELL AS APPLICABLE SAFETY GLAZING REQUIREMENTS PER THE FBC. THICKNESS, TEMPER, AND SAFETY GLAZING REQUIREMENTS SHALL BE REVIEWED ON A SITE SPECIFIC BASIS.
  - SETTING BLOCK DUROMETER HARDNESS OF 70-90 (SHORE A) AS REFERENCED IN FBC CHAPTER 24
  - SETTING BLOCKS TO BE LOCATED AT 1/4 SPAN LENGTH FOR GLASS WIDER THAN 36" AS PER FBC CHAPTER 24.
  - D.L.O AND DESIGN PRESSURES MAY NOT EXCEED MAX VALUES IN ELEVATIONS.

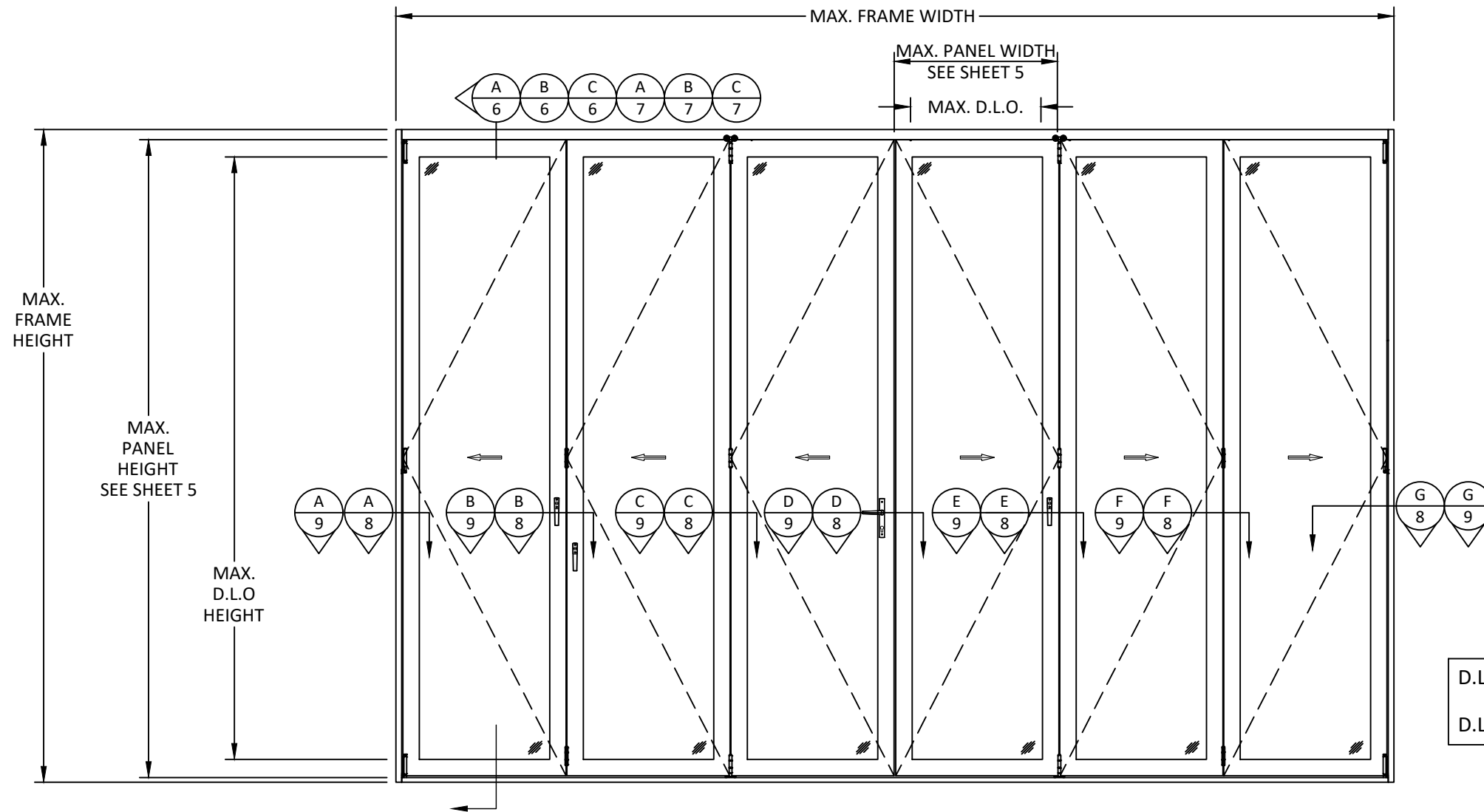
| REMARKS | BY | DATE |
|---------|----|------|
|         |    |      |
|         |    |      |
|         |    |      |

THE INSTALLATION DETAILS DESCRIBED HEREIN ARE GENERIC AND MAY NOT REFLECT ACTUAL CONDITIONS FOR A SPECIFIC SITE. IF SITE CONDITIONS CAUSE INSTALLATION TO DEVIATE FROM THE REQUIREMENTS DETAILED HEREIN, A LICENSED ENGINEER OR ARCHITECT SHALL PREPARE SITE SPECIFIC DOCUMENTS FOR USE WITH THIS DOCUMENT.



|          |                 |
|----------|-----------------|
| FL #:    | <b>FL27023</b>  |
| DATE:    | <b>12.07.23</b> |
| DWG. BY: | <b>DI</b>       |
| CHK. BY: | <b>SM</b>       |
| SCALE:   | <b>NTS</b>      |
| DWG. #:  | <b>EWS036</b>   |
| SHEET    | <b>3</b>        |

z:\projects\euro-wall, llc\fb-21-0626 - fb-submittal - revision euro c5 folding door system\dwg\ews036.dwg 2/23/2024 3:38 PM



**ELEVATION**  
INSWING/OUTSWING UNIT

D.L.O. HEIGHT = PANEL HEIGHT - 5.625"  
D.L.O. WIDTH = PANEL WIDTH - 6.25"

**NOTE:**  
PANELS SHOWN ARE BASED ON TESTING, OTHER APPROVED CONFIGURATIONS ARE AS FOLLOWS:

- 1 PANEL - 1L, 1R
- 2 PANEL - 2L, 2R, 1L 1R
- 3 PANEL - 3L, 3R, 2L 1R, 1L 2R
- 4 PANEL - 4L, 4R, 3L 1R, 1L 3R, 2L 2R
- 5 PANEL - 5L, 5R, 4L 1R, 1L 4R, 3L 2R, 2L 3R
- 6 PANEL - 6L, 6R, 5L 1R, 1L 5R 4L 2R, 2L 4R, 3L 3R
- 7 PANEL - 7L, 7R, 6L 1R, 1L 6R, 5L 2R, 2L 5R, 4L 3R, 3L 4R
- 8 PANEL - 8L, 8R, 7L 1R, 1L 7R, 6L 2R, 2L 6R, 5L 3R, 3L 5R, 4L 4R
- 9 PANEL - 9L, 9R, 8L 1R, 1L 8R, 7L 2R, 2L 7R, 6L 3R, 3L 6R, 5L 4R, 4L 5R

FOR ALL CONFIGURATIONS ABOVE, OVERALL FRAME AREA SHALL NOT EXCEED 334 FT<sup>2</sup> (1.5 X TESTED FRAME AREA).

| OUTSWING DOOR WATER TEST PRESSURE |            |                |
|-----------------------------------|------------|----------------|
| PANEL SIZE                        | GLASS TYPE | PRESSURE (PSF) |
| X ≤ 36" X 144"                    | G1 - G9    | 7.50           |



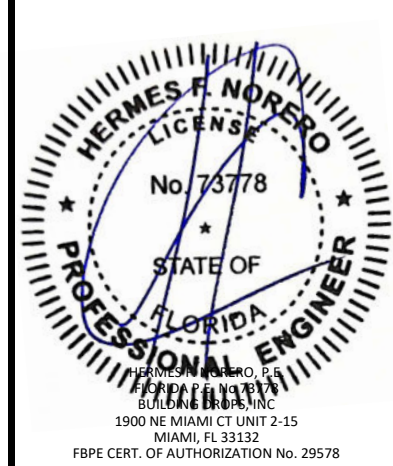
EURO-WALL, LLC  
P.O. BOX 8007  
NORTH PORT, FL 34290  
PH: (888) 989-3876

**TITLE:**  
EURO C5 FOLDING DOOR SYSTEM (HVHZ) (IMPACT)  
ELEVATIONS

**PREPARED BY:**  
BUILDING DROPS, INC.  
1900 NE MIAMI CT UNIT 2-15  
MIAMI, FL 33132  
PH: (954) 399-8478  
FAX: (954) 744-4738  
WEB: www.buildingdrops.com

| REMARKS | BY | DATE |
|---------|----|------|
|         |    |      |
|         |    |      |
|         |    |      |

THE INSTALLATION DETAILS DESCRIBED HEREIN ARE GENERIC AND MAY NOT REFLECT ACTUAL CONDITIONS FOR A SPECIFIC SITE. IF SITE CONDITIONS CAUSE INSTALLATION TO DEVIATE FROM THE REQUIREMENTS DETAILED HEREIN, A LICENSED ENGINEER OR ARCHITECT SHALL PREPARE SITE SPECIFIC DOCUMENTS FOR USE WITH THIS DOCUMENT.



FL #:  
**FL27023**

DATE: **12.07.23**

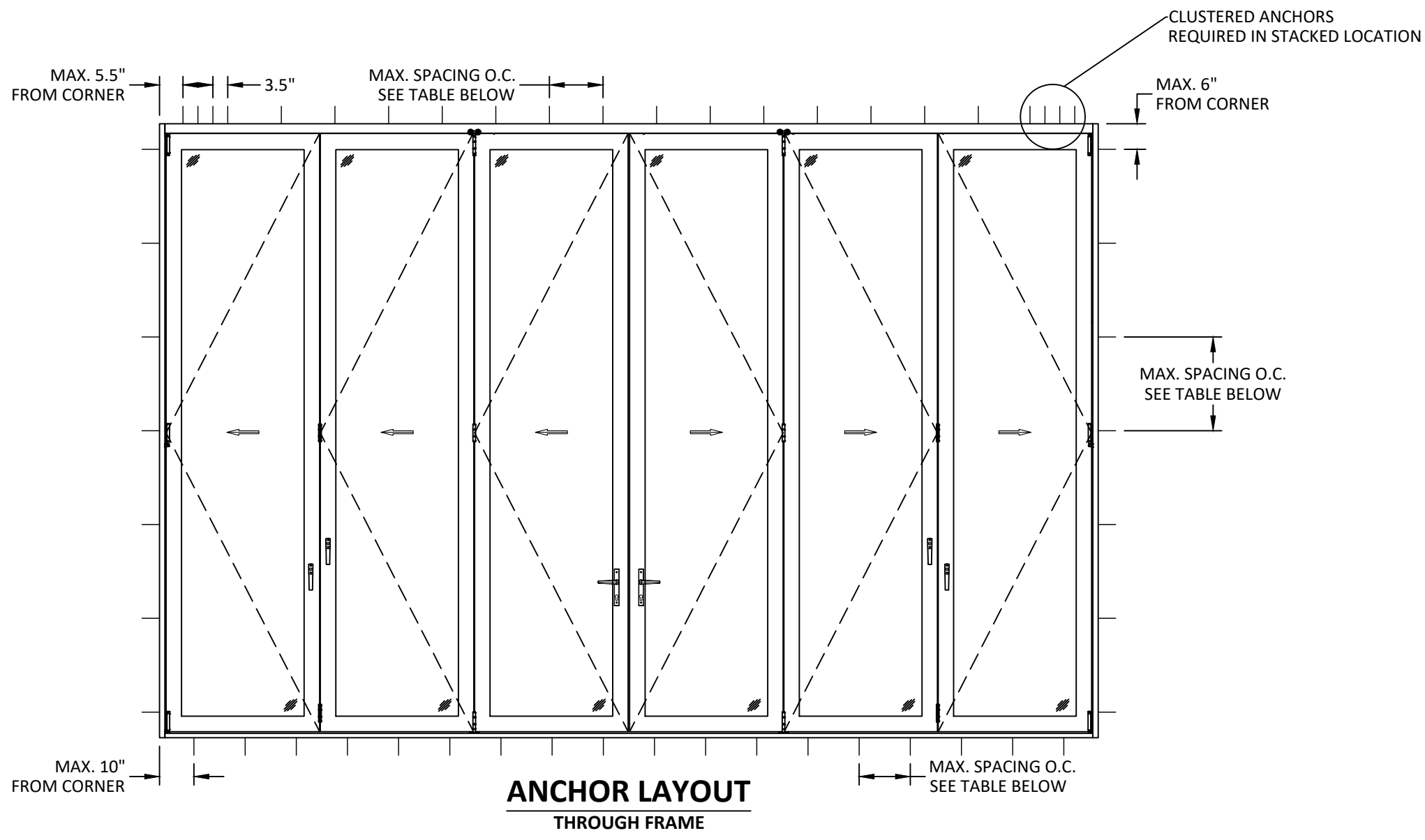
DWG. BY: **DI**      CHK. BY: **SM**

SCALE: **NTS**

DWG. #: **EWS036**

SHEET  
**4**  
OF 10

z:\projects\euro-wall\_lic\fac-21-0626 - fbc submittal - revision euro c5 folding door system\dwgs\ews036.dwg 2/23/2024 3:38 PM



**ANCHOR LAYOUT  
THROUGH FRAME**

| SUBSTRATE   | ANCHOR TYPE     | MAX. SPACING O.C. AT HEAD | MAX. SPACING O.C. AT SILL | MAX. SPACING O.C. AT JAMB |
|---|-----------------|---------------------------|---------------------------|---------------------------|
| WOOD:<br>MIN. S.G. = 0.55   | #14 WOOD SCREW  | 12"                       | 11.125"                   | 24"                       |
| METAL:<br>STEEL MIN. 18 GAUGE<br>(MIN. Fy = 36 ksi)<br>ALUM. MIN. 1/8" THK.<br>(MIN. 6063-T5) | 1/4" TEK SCREW  | 12"                       | 12"                       | 24"                       |
| CONCRETE:<br>MIN. f'c = 3000 psi  | 1/4" ITW TAPCON | 12"                       | 12"                       | 24"                       |
| MASONRY:<br>CMU PER ASTM C90<br>MIN. 2000 PSI   | 1/4" ITW TAPCON | 9"                        | 7.625"                    | 24"                       |

|                               |      | DESIGN PRESSURE TABLE (+/- PSF) |      |      |      |      |      |      |      |      |  |
|-------------------------------|------|---------------------------------|------|------|------|------|------|------|------|------|--|
|                               |      | NOMINAL PANEL WIDTH (INCHES)    |      |      |      |      |      |      |      |      |  |
| NOMINAL PANEL HEIGHT (INCHES) | 36   | 39                              | 42   | 45   | 48   | 54   | 60   | 66   | 72   |      |  |
|                               | 72   | 50.0                            | 50.0 | 50.0 | 50.0 | 50.0 | 50.0 | 50.0 | 50.0 | 50.0 |  |
|                               | 78   | 50.0                            | 50.0 | 50.0 | 50.0 | 50.0 | 50.0 | 50.0 | 50.0 | -    |  |
|                               | 84   | 50.0                            | 50.0 | 50.0 | 50.0 | 50.0 | 50.0 | 50.0 | -    | -    |  |
|                               | 90   | 50.0                            | 50.0 | 50.0 | 50.0 | 50.0 | 50.0 | -    | -    | -    |  |
|                               | 96   | 50.0                            | 50.0 | 50.0 | 50.0 | 50.0 | 50.0 | -    | -    | -    |  |
|                               | 102  | 50.0                            | 50.0 | 50.0 | 50.0 | 50.0 | -    | -    | -    | -    |  |
|                               | 108  | 50.0                            | 50.0 | 50.0 | 50.0 | 50.0 | -    | -    | -    | -    |  |
|                               | 114  | 50.0                            | 50.0 | 50.0 | 50.0 | -    | -    | -    | -    | -    |  |
|                               | 120  | 50.0                            | 50.0 | 50.0 | -    | -    | -    | -    | -    | -    |  |
|                               | 126  | 50.0                            | 50.0 | -    | -    | -    | -    | -    | -    | -    |  |
|                               | 132  | 50.0                            | 50.0 | -    | -    | -    | -    | -    | -    | -    |  |
| 138                           | 50.0 | -                               | -    | -    | -    | -    | -    | -    | -    |      |  |
| 144                           | 50.0 | -                               | -    | -    | -    | -    | -    | -    | -    |      |  |

**euro-wall**  
SUPERIOR BY DESIGN

EURO-WALL, LLC  
P.O. BOX 8007  
NORTH PORT, FL 34290  
PH: (888) 989-3876

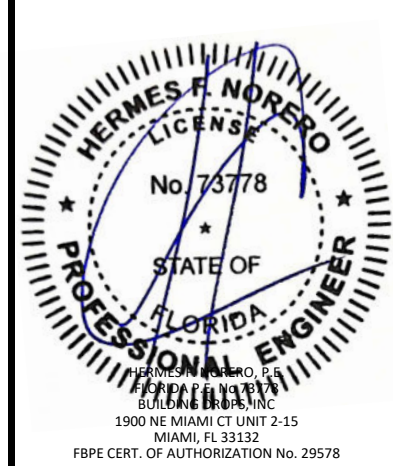
TITLE:  
**EURO C5 FOLDING DOOR SYSTEM  
(HVHZ) (IMPACT)**

ANCHOR LAYOUTS &  
DESIGN PRESSURE TABLE

PREPARED BY:  
**BUILDING DROPS, INC.**  
1900 NE MIAMI CT UNIT 2-15  
MIAMI, FL 33132  
PH: (954) 399-8478  
FAX: (954) 744-4738  
WEB: www.buildingdrops.com

| REMARKS | BY | DATE |
|---------|----|------|
|         |    |      |
|         |    |      |
|         |    |      |

THE INSTALLATION DETAILS DESCRIBED HEREIN ARE GENERIC AND MAY NOT REFLECT ACTUAL CONDITIONS FOR A SPECIFIC SITE. IF SITE CONDITIONS CAUSE INSTALLATION TO DEVIATE FROM THE REQUIREMENTS DETAILED HEREIN, A LICENSED ENGINEER OR ARCHITECT SHALL PREPARE SITE SPECIFIC DOCUMENTS FOR USE WITH THIS DOCUMENT.



FL #:  
**FL27023**

DATE: **12.07.23**

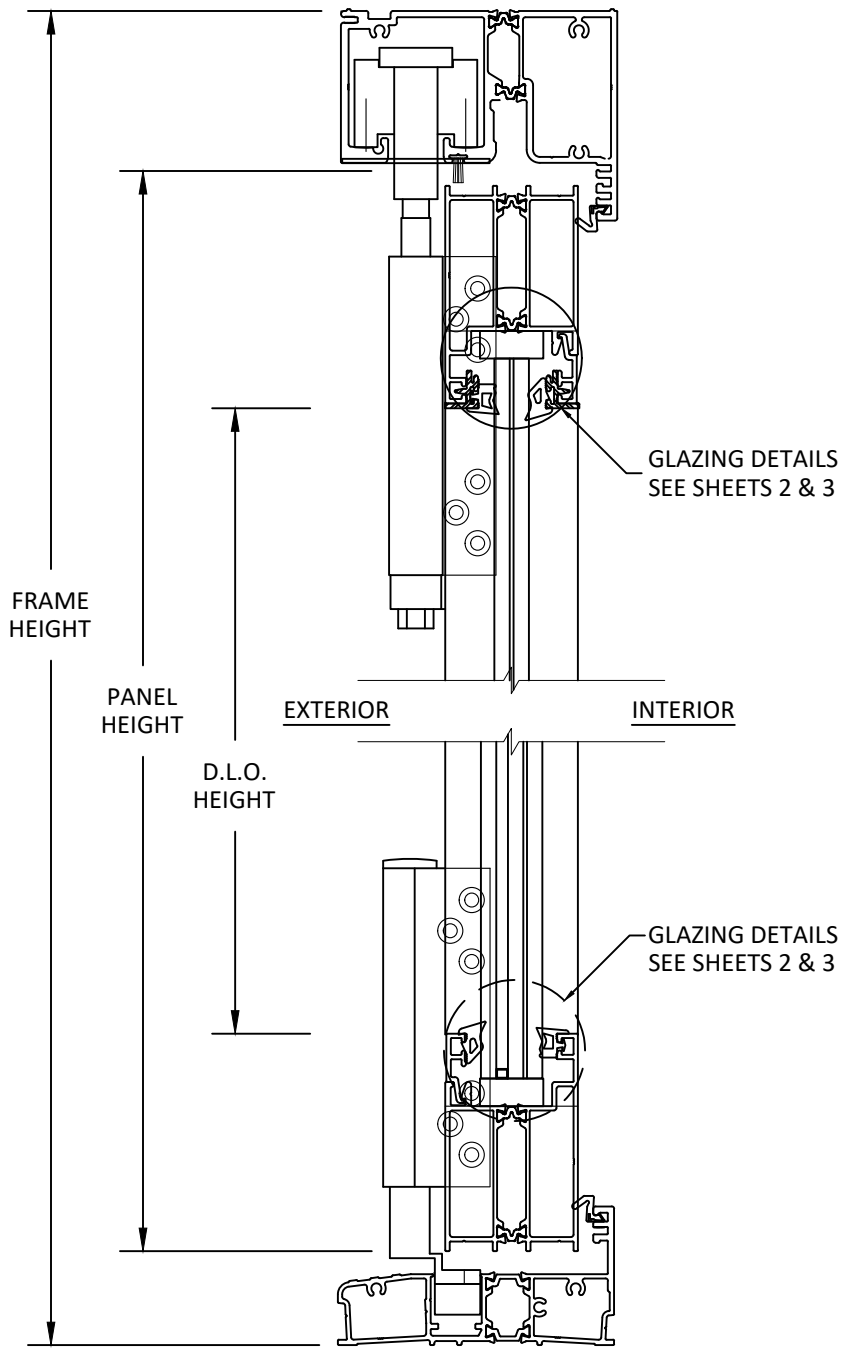
DWG. BY: **DI**      CHK. BY: **SM**

SCALE: **NTS**

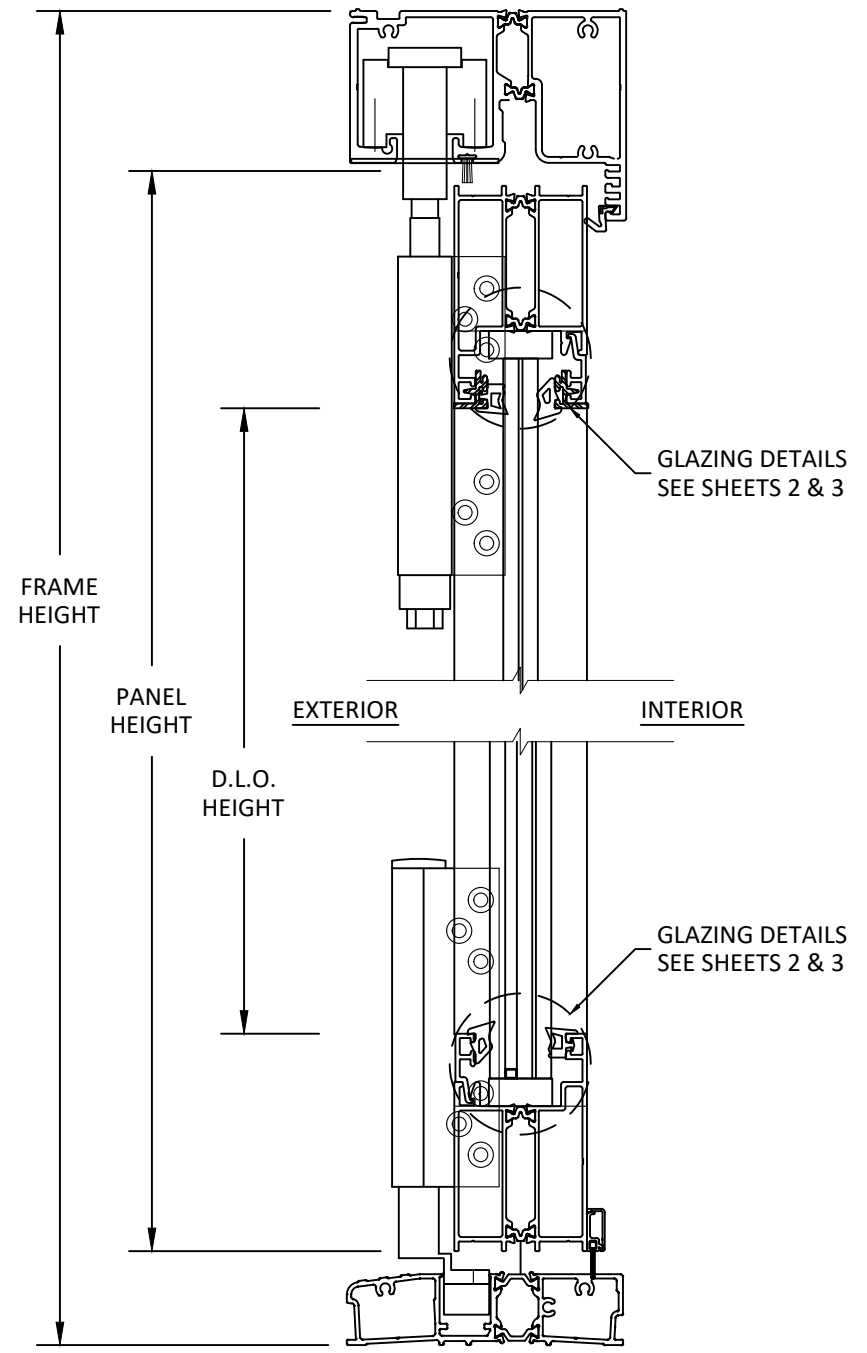
DWG. #: **EWS036**

SHEET  
**5**  
OF 10

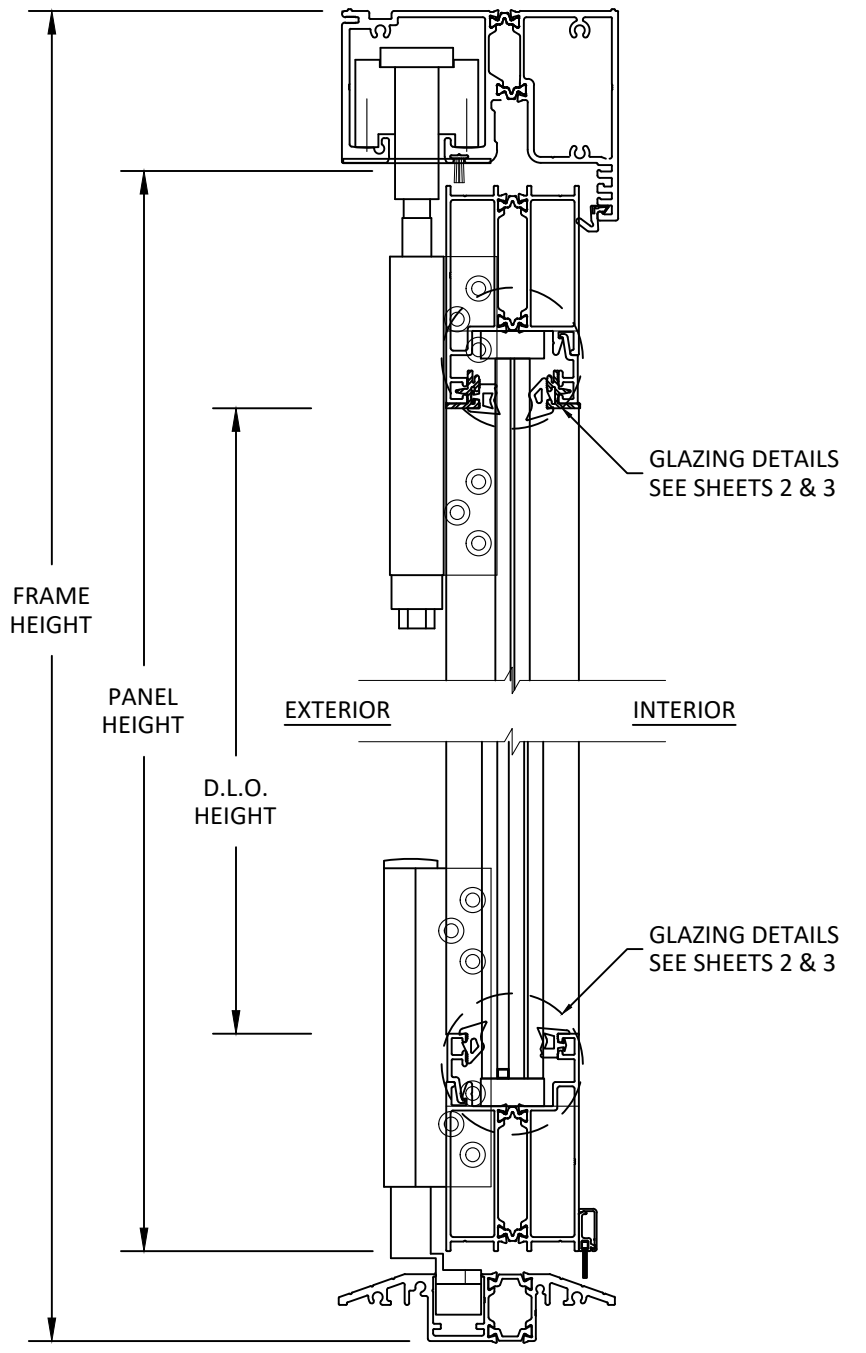
z:\projects\euro-wall, llc\fac-21-0626 - fbc submittal - revision euro c5 folding door system\dwgs\ews036.dwg 2/23/2024 3:38 PM



**A**  
**6** **VERTICAL SECTION**  
STANDARD SILL - WATER RATED  
OUTSWING DOOR



**B**  
**6** **VERTICAL SECTION**  
MODIFIED STANDARD SILL - NOT RATED FOR WATER  
OUTSWING DOOR

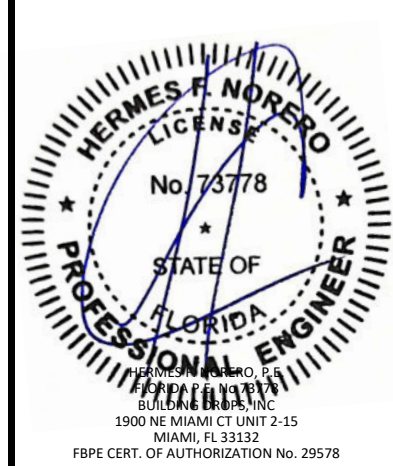


**C**  
**6** **VERTICAL SECTION**  
ADA SILL - NOT RATED FOR WATER  
OUTSWING DOOR

TITLE: **EURO C5 FOLDING DOOR SYSTEM (HVHZ) (IMPACT)**  
OUTSWING VERTICAL SECTIONS  
PREPARED BY: **BUILDING DROPS, INC.**  
1900 NE MIAMI CT UNIT 2-15  
MIAMI, FL 33132  
PH: (954) 399-8478  
FAX: (954) 474-4738  
WEB: www.buildingdrops.com

| REMARKS | BY | DATE |
|---------|----|------|
|         |    |      |
|         |    |      |
|         |    |      |

THE INSTALLATION DETAILS DESCRIBED HEREIN ARE GENERIC AND MAY NOT REFLECT ACTUAL CONDITIONS FOR A SPECIFIC SITE. IF SITE CONDITIONS CAUSE INSTALLATION TO DEVIATE FROM THE REQUIREMENTS DETAILED HEREIN, A LICENSED ENGINEER OR ARCHITECT SHALL PREPARE SITE SPECIFIC DOCUMENTS FOR USE WITH THIS DOCUMENT.



FL #: **FL27023**

DATE: **12.07.23**

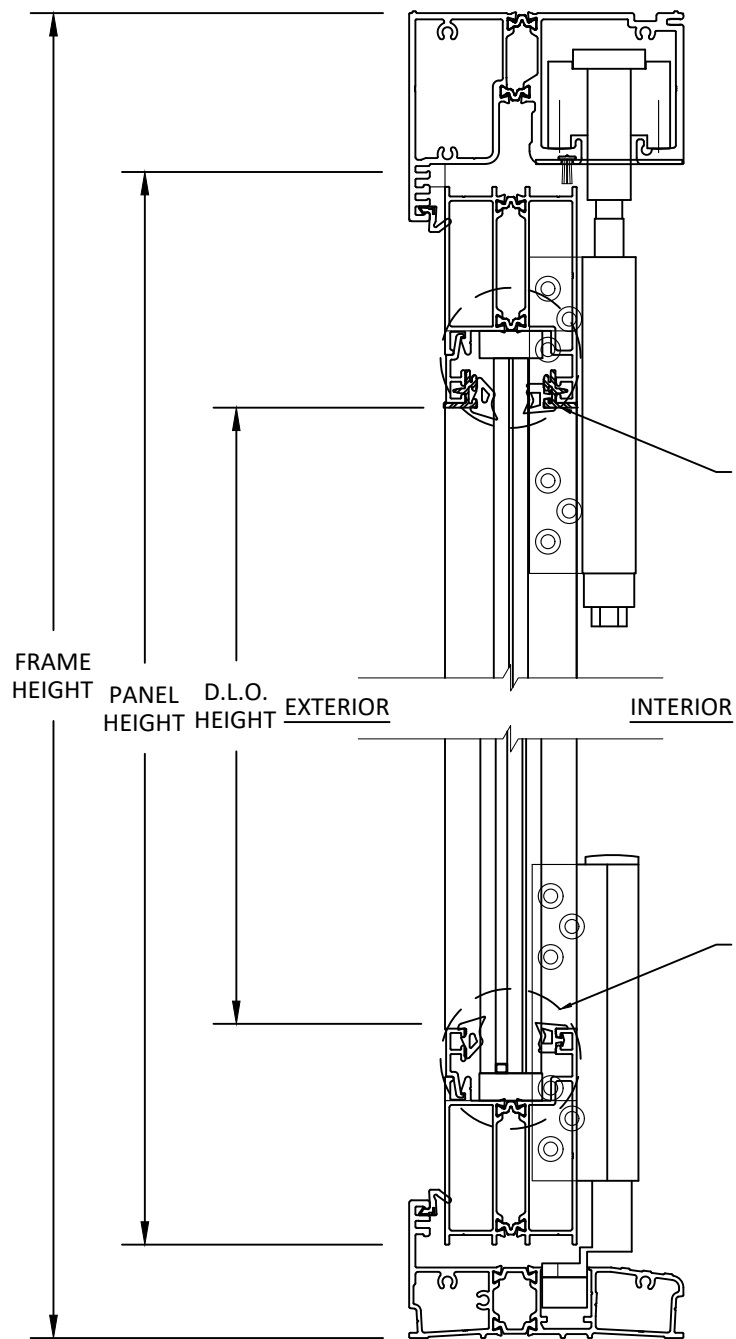
DWG. BY: **DI**      CHK. BY: **SM**

SCALE: **NTS**

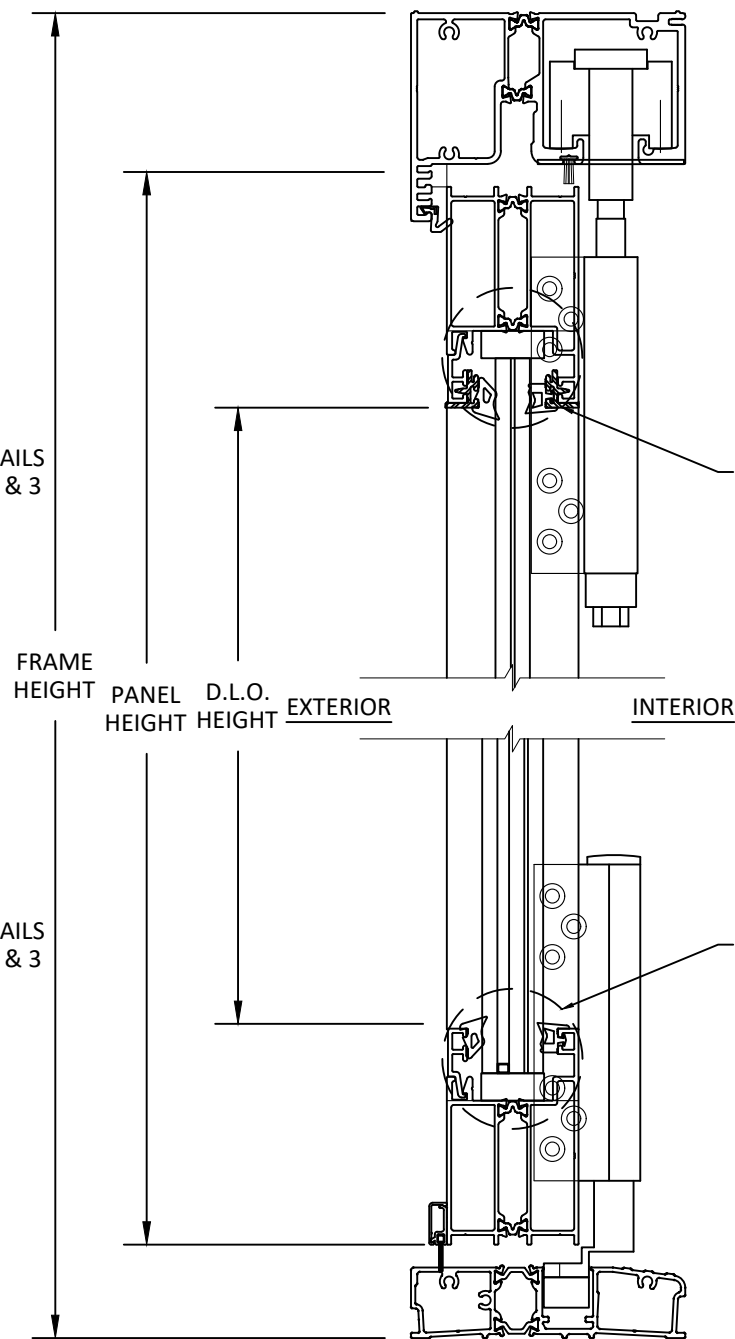
DWG. #: **EWS036**

SHEET  
**6**  
OF 10

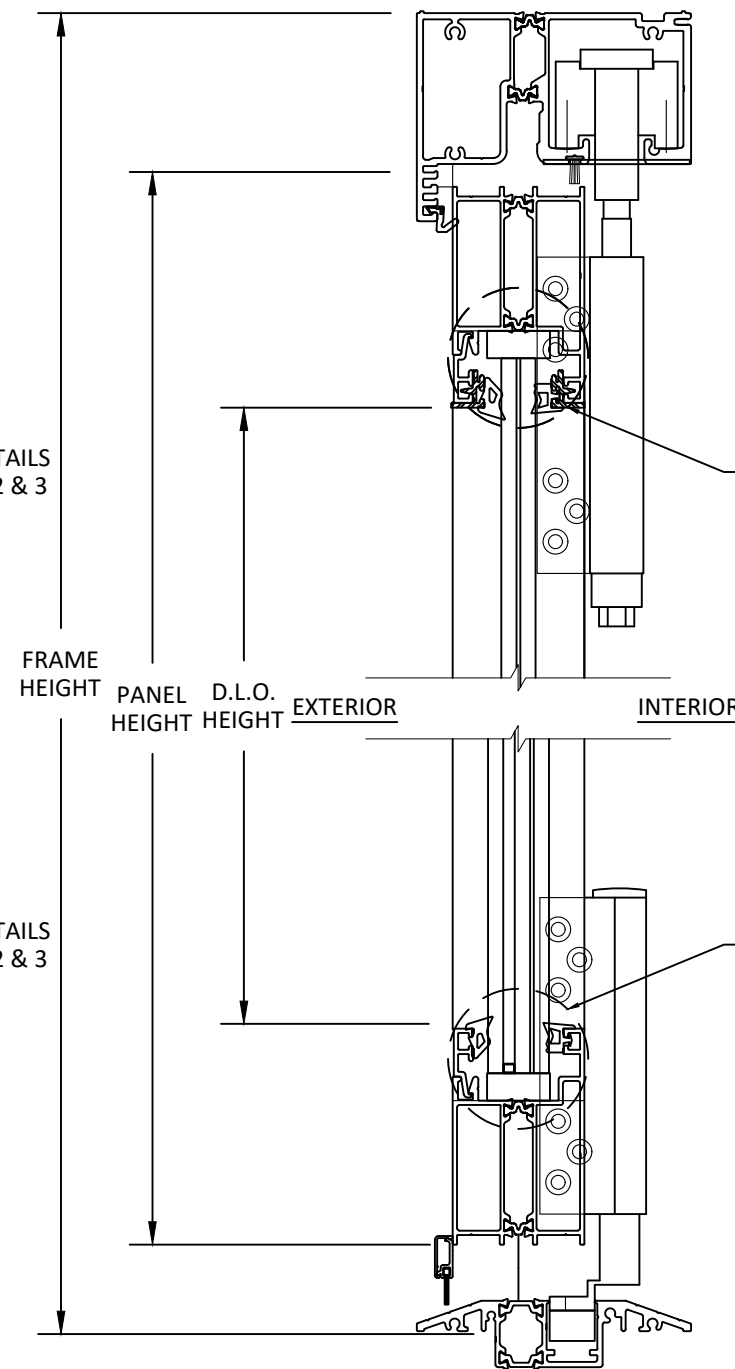
z:\projects\euro-wall, llc\fac-21-0626 - fbc submittal - revision euro c5 folding door system\dwgs\ews036.dwg 2/23/2024 3:38 PM



**A**  
**7** **VERTICAL SECTION**  
STANDARD SILL - NOT RATED FOR WATER  
INSWING DOOR



**B**  
**7** **VERTICAL SECTION**  
MODIFIED STANDARD SILL - NOT RATED FOR WATER  
INSWING DOOR



**C**  
**7** **VERTICAL SECTION**  
ADA SILL - NOT RATED FOR WATER  
INSWING DOOR

TITLE:  
EURO C5 FOLDING DOOR SYSTEM  
(HVHZ) (IMPACT)

INSWING VERTICAL SECTIONS

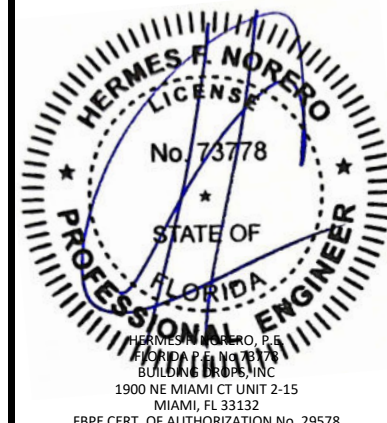
PREPARED BY:

**BUILDING DROPS, INC.**  
1900 NE MIAMI CT UNIT 2-15  
MIAMI, FL 33132  
PH: (954) 399-8478  
FAX: (954) 744-4738  
WEB: www.buildingdrops.com



| REMARKS | BY | DATE |
|---------|----|------|
|         |    |      |
|         |    |      |
|         |    |      |

THE INSTALLATION DETAILS DESCRIBED HEREIN ARE GENERIC AND MAY NOT REFLECT ACTUAL CONDITIONS FOR A SPECIFIC SITE. IF SITE CONDITIONS CAUSE INSTALLATION TO DEVIATE FROM THE REQUIREMENTS DETAILED HEREIN, A LICENSED ENGINEER OR ARCHITECT SHALL PREPARE SITE SPECIFIC DOCUMENTS FOR USE WITH THIS DOCUMENT.



FL #:  
**FL27023**

DATE: **12.07.23**

DWG. BY: **DI**      CHK. BY: **SM**

SCALE: **NTS**

DWG. #: **EWS036**

SHEET  
**7**

z:\projects\euro-wall, llc\fb-21-0626 - fbc submittal - revision euro c5 folding door system\dwgs\ews036.dwg 2/23/2024 3:38 PM

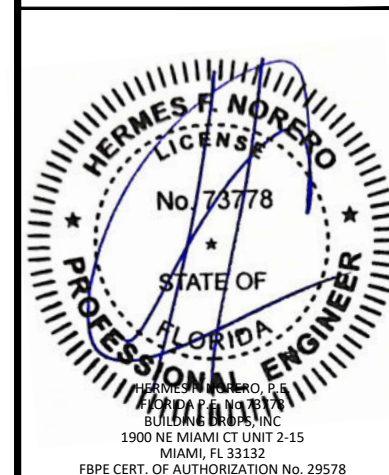
TITLE:  
EURO C5 FOLDING DOOR SYSTEM  
(HVHZ) (IMPACT)  
OUTSWING HORIZONTAL SECTIONS

PREPARED BY:  
**BUILDING DROPS, INC.**  
1900 NE MIAMI CT UNIT 2-15  
MIAMI, FL 33132  
PH: (954)399-8478  
FAX: (954)744-4738  
WEB: www.buildingdrops.com



| REMARKS | BY | DATE |
|---------|----|------|
|         |    |      |
|         |    |      |
|         |    |      |

THE INSTALLATION DETAILS DESCRIBED HEREIN ARE GENERIC AND MAY NOT REFLECT ACTUAL CONDITIONS FOR A SPECIFIC SITE. IF SITE CONDITIONS CAUSE INSTALLATION TO DEVIATE FROM THE REQUIREMENTS DETAILED HEREIN, A LICENSED ENGINEER OR ARCHITECT SHALL PREPARE SITE SPECIFIC DOCUMENTS FOR USE WITH THIS DOCUMENT.



FL #:

**FL27023**

DATE: **12.07.23**

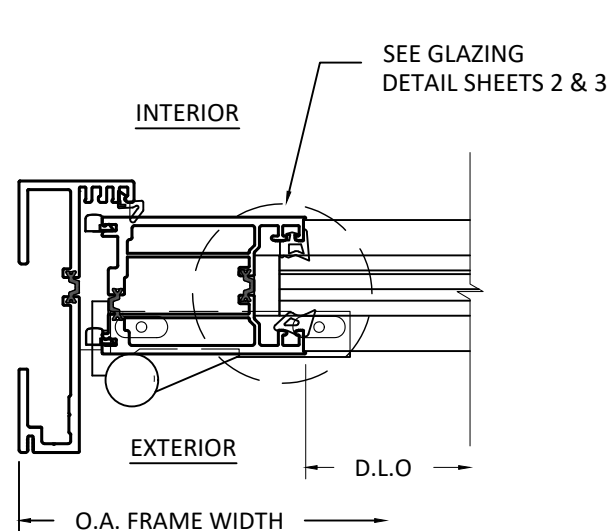
DWG. BY: **DI**      CHK. BY: **SM**

SCALE: **NTS**

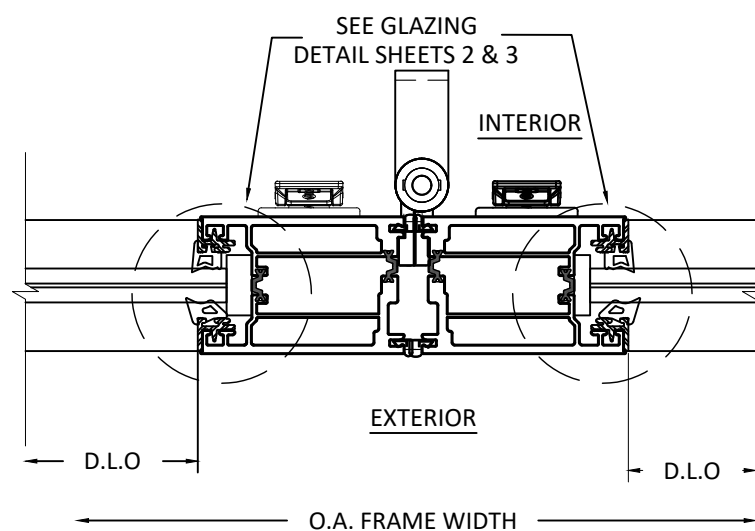
DWG. #: **EWS036**

SHEET

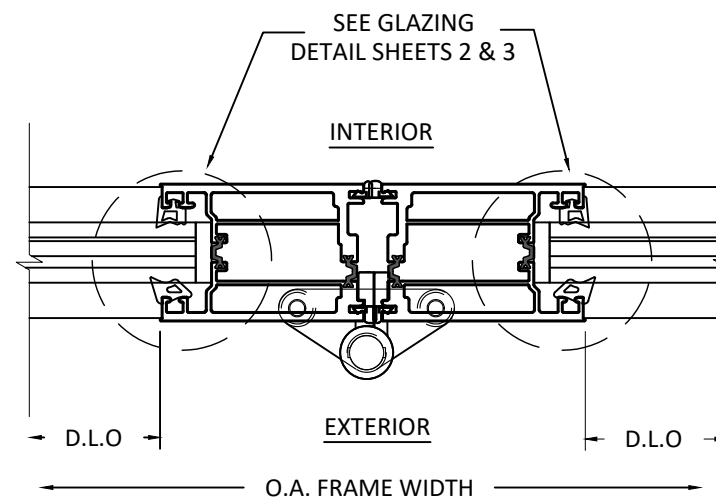
**8**



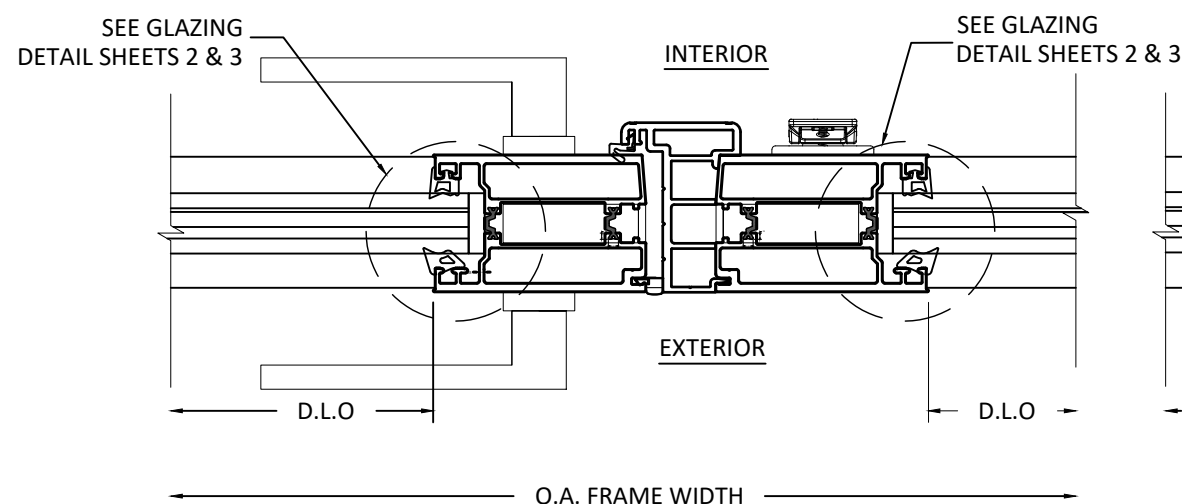
**A**  
**8** **HORIZONTAL SECTION**  
JAMB DETAIL/ OUTSWING



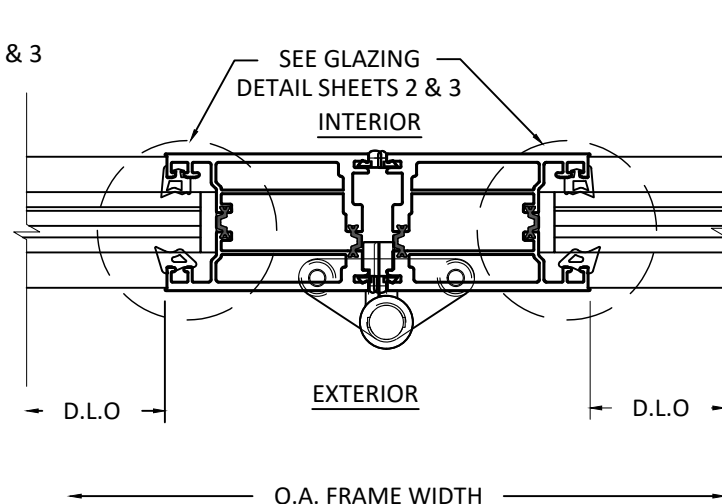
**B**  
**8** **HORIZONTAL SECTION**  
PANEL TO PANEL DETAIL/ OUTSWING



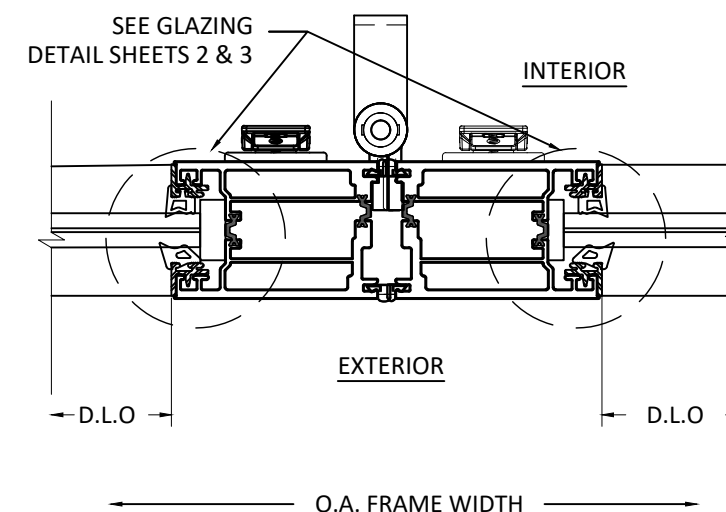
**C**  
**8** **HORIZONTAL SECTION**  
PANEL TO PANEL DETAIL/OUTSWING



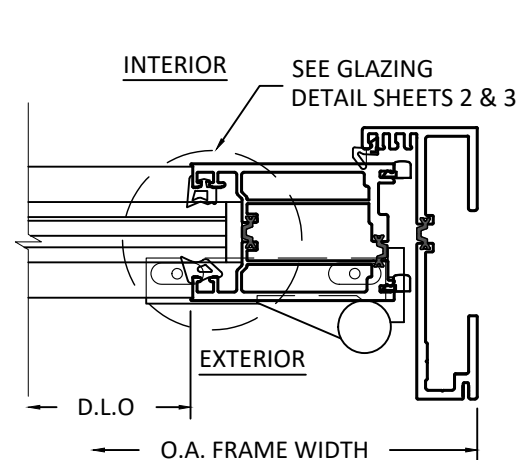
**D**  
**8** **HORIZONTAL SECTION**  
DOOR HANDLE DETAIL/ OUTSWING



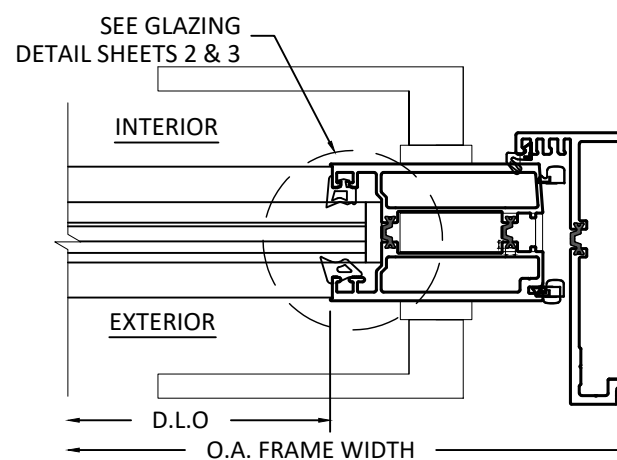
**E**  
**8** **HORIZONTAL SECTION**  
PANEL TO PANEL DETAIL/ OUTSWING



**F**  
**8** **HORIZONTAL SECTION**  
PANEL TO PANEL DETAIL/ OUTSWING



**G**  
**8** **HORIZONTAL SECTION**  
JAMB DETAIL/ OUTSWING

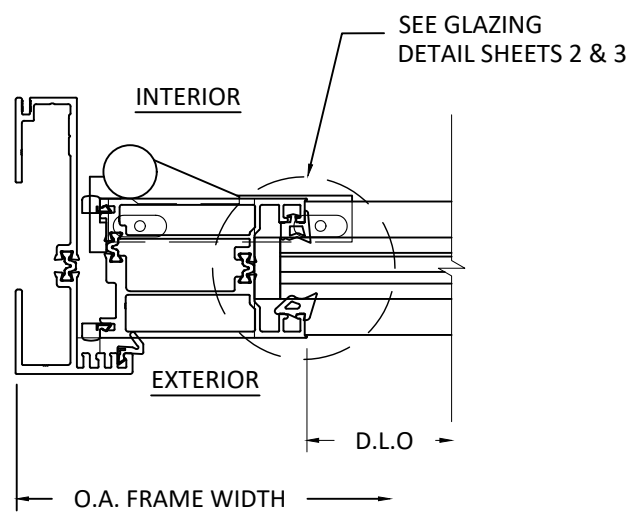


**G**  
**8** **HORIZONTAL SECTION**  
JAMB DETAIL WITH HANDLE/ OUTSWING

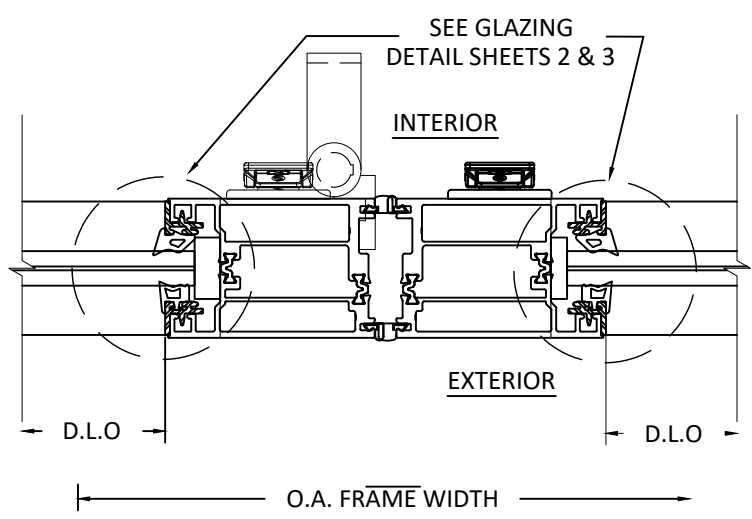
NOTE:  
1. DETAIL G/8 IS APPLICABLE FOR CONFIGURATIONS LISTED ON SHEET 4 WHERE FREE PANELS LOCK TO THE JAMB.



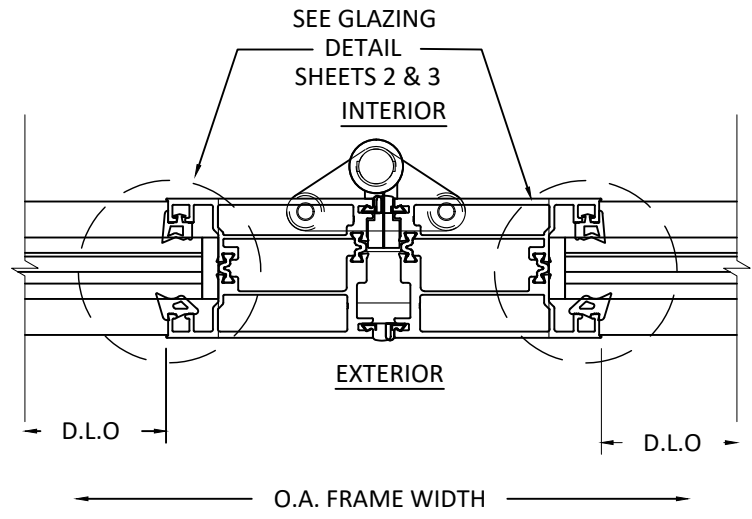
z:\projects\euro-wall, llc\fac-21-0626 - fbc submittal - revision euro c5 folding door system\dwgs\ews036.dwg 2/23/2024 3:38 PM



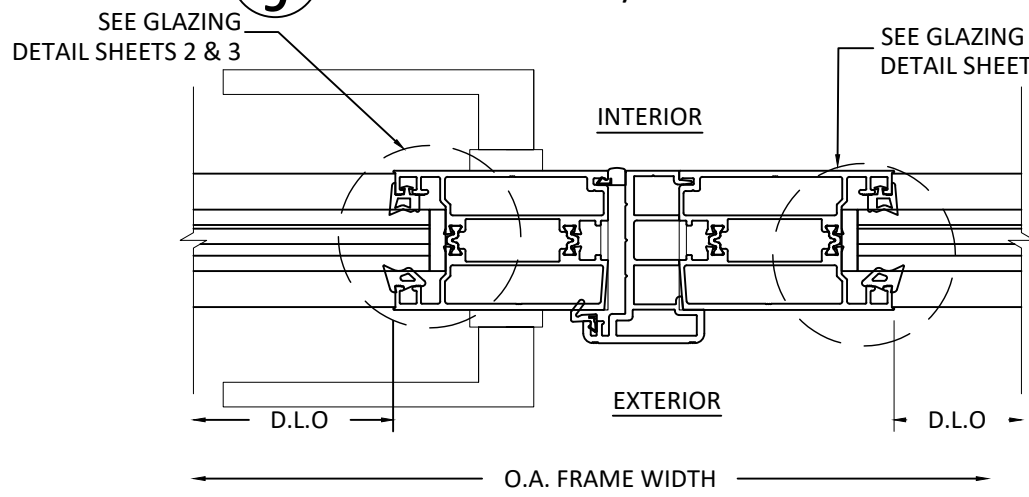
**A**  
**9**  
**HORIZONTAL SECTION**  
JAMB DETAIL/INSWING



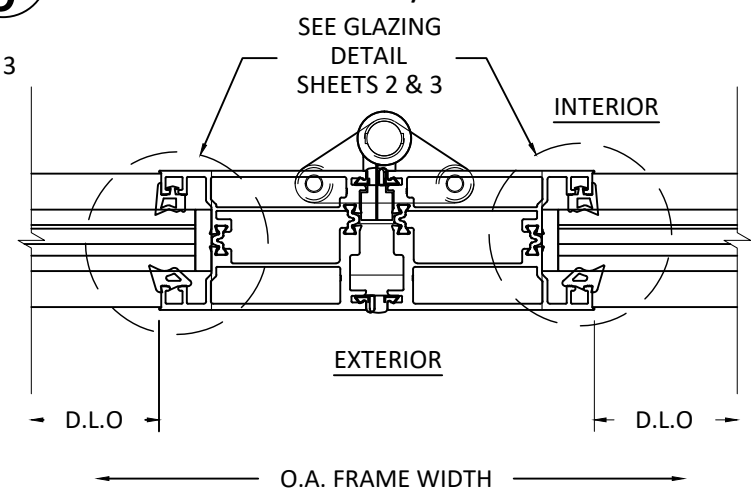
**B**  
**9**  
**HORIZONTAL SECTION**  
PANEL TO PANEL DETAIL/INSWING



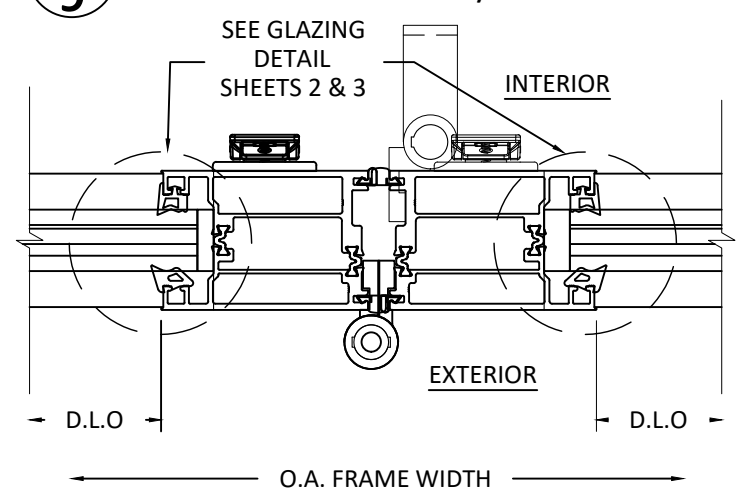
**C**  
**9**  
**HORIZONTAL SECTION**  
PANEL TO PANEL DETAIL/INSWING



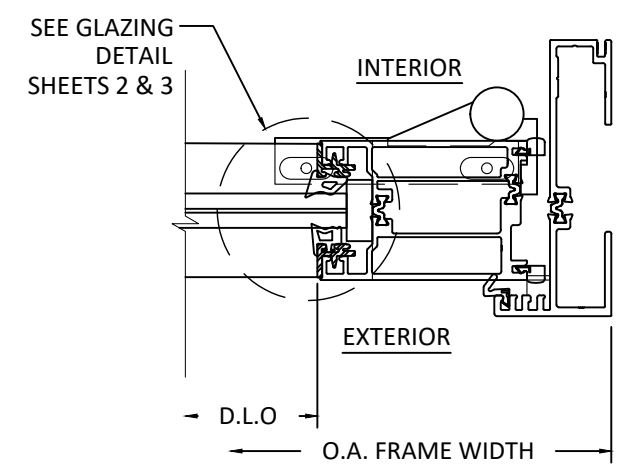
**D**  
**9**  
**HORIZONTAL SECTION**  
DOOR HANDLE DETAIL/INSWING



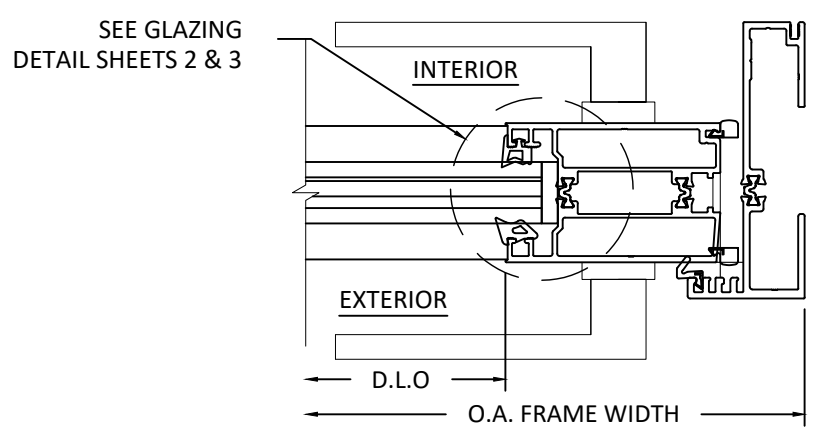
**E**  
**9**  
**HORIZONTAL SECTION**  
PANEL TO PANEL DETAIL/INSWING



**F**  
**9**  
**HORIZONTAL SECTION**  
PANEL TO PANEL DETAIL/INSWING



**G**  
**9**  
**HORIZONTAL SECTION**  
JAMB DETAIL/INSWING



**G**  
**9**  
**HORIZONTAL SECTION**  
JAMB DETAIL WITH HANDLE/INSWING

**NOTE:**  
1. DETAIL G/9 IS APPLICABLE FOR CONFIGURATIONS LISTED ON SHEET 4 WHERE FREE PANELS LOCK TO THE JAMB.

**TITLE:**  
EURO C5 FOLDING DOOR SYSTEM  
(HVHZ) (IMPACT)

**INSWING HORIZONTAL SECTIONS**

**PREPARED BY:**  
BUILDING DROPS, INC.  
1900 NE MIAMI CT UNIT 2-15  
MIAMI, FL 33132  
PH: (954)399-8478  
FAX: (954)744-4738  
WEB: www.buildingdrops.com

**BUILDING DROPS**

| REMARKS | BY | DATE |
|---------|----|------|
|         |    |      |
|         |    |      |
|         |    |      |

THE INSTALLATION DETAILS DESCRIBED HEREIN ARE GENERIC AND MAY NOT REFLECT ACTUAL CONDITIONS FOR A SPECIFIC SITE. IF SITE CONDITIONS CAUSE INSTALLATION TO DEVIATE FROM THE REQUIREMENTS DETAILED HEREIN, A LICENSED ENGINEER OR ARCHITECT SHALL PREPARE SITE SPECIFIC DOCUMENTS FOR USE WITH THIS DOCUMENT.

**HERMES F. NORERO**  
LICENSE  
No. 73778  
STATE OF  
FLORIDA  
PROFESSIONAL ENGINEER

HERMES F. NORERO, P.E.  
FLORIDA PROFESSIONAL ENGINEER  
BUILDING DROPS, INC.  
1900 NE MIAMI CT UNIT 2-15  
MIAMI, FL 33132  
FBPE CERT. OF AUTHORIZATION No. 29578

FL #: **FL27023**

DATE: **12.07.23**

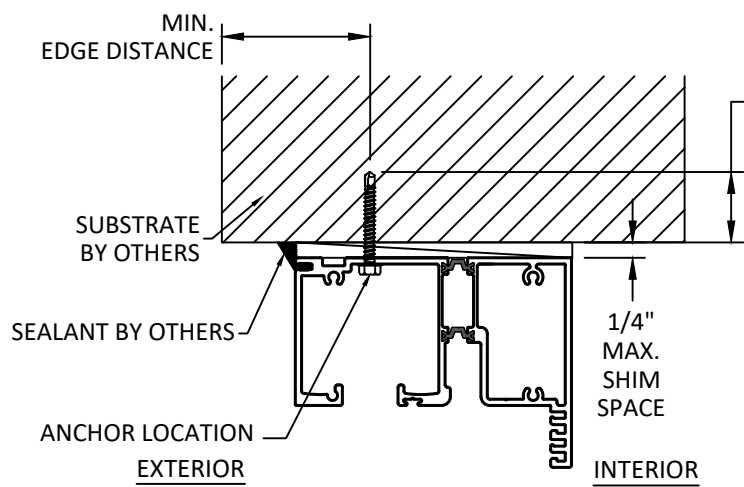
DWG. BY: **DI**      CHK. BY: **SM**

SCALE: **NTS**

DWG. #: **EWS036**

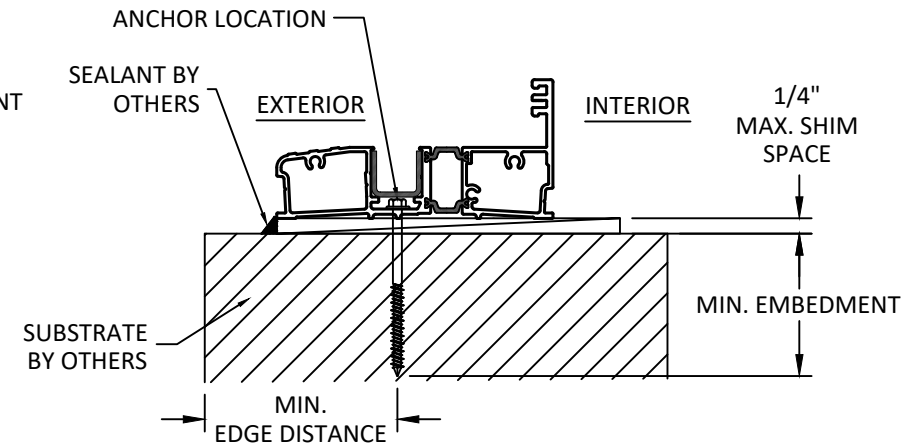
SHEET **9** OF 10

2/23/2024 3:38 PM  
z:\projects\euro-wall, llc\fac-21-0626 - revision euro c5 folding door system\dwg\ews036.dwg

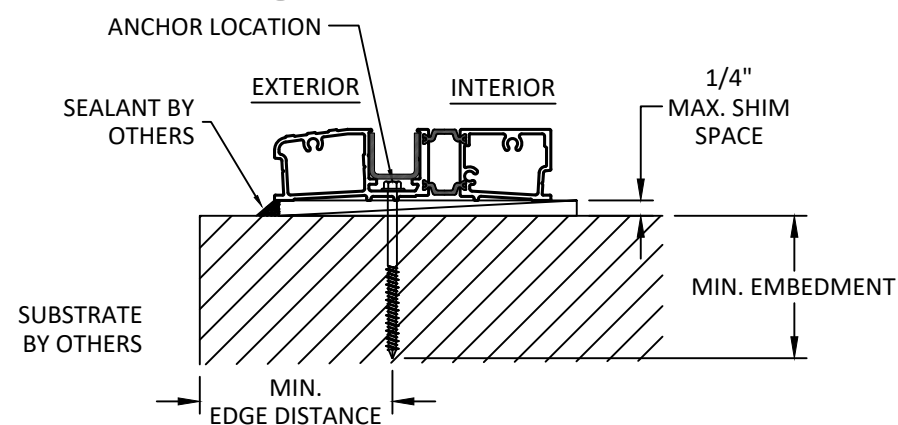


**A**  
**10** ANCHOR DETAIL  
HEAD - THROUGH FRAME

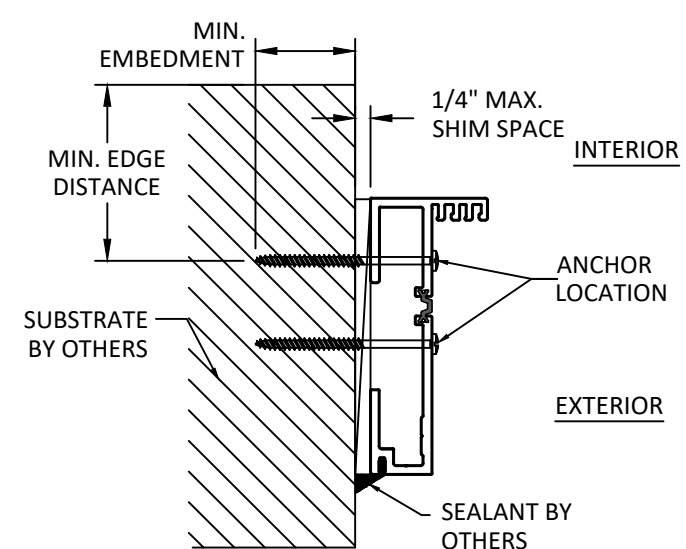
NOTE:  
1. OUTSWING DETAILS SHOWN, INSWING SIMILAR.



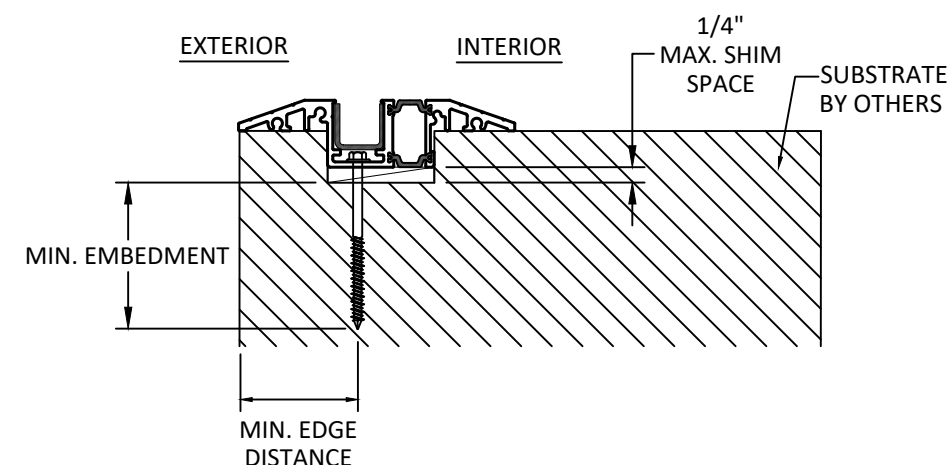
**B**  
**10** ANCHOR DETAIL  
STANDARD SILL - THROUGH FRAME



**D**  
**10** ANCHOR DETAIL  
MODIFIED SILL - THROUGH FRAME



**C**  
**10** ANCHOR DETAIL  
JAMBS - THROUGH FRAME



**E**  
**10** ANCHOR DETAIL  
ADA SILL - THROUGH FRAME

**INSTALLATION NOTES:**

- ONE (1) INSTALLATION ANCHOR IS REQUIRED AT EACH ANCHOR LOCATION SHOWN UNLESS SPECIFIED IN THE ANCHOR SCHEDULE. TWO (2) INSTALLATION ANCHORS AT THE JAMBS.
- OPTIONAL 1X AND 2X WOOD STUDS FOR CONCRETE/CMU INSTALLATION.
- THE NUMBER OF INSTALLATION ANCHORS DEPICTED IS THE MINIMUM NUMBER OF ANCHORS TO BE USED FOR PRODUCT INSTALLATION OF THE MAXIMUM SIZE LISTED.
- INSTALL INDIVIDUAL INSTALLATION ANCHORS WITHIN A TOLERANCE OF ±1/2 INCH THE DEPICTED LOCATION & SPACING IN THE ANCHOR LAYOUT DETAILS (I.E., WITHOUT CONSIDERATION OF TOLERANCES). TOLERANCES ARE NOT CUMULATIVE FROM ONE INSTALLATION ANCHOR TO THE NEXT.
- SHIM AS REQUIRED AT EACH INSTALLATION ANCHOR WITH LOAD BEARING SHIM(S). MAXIMUM ALLOWABLE SHIM STACK TO BE 1/4 INCH. SHIM WHERE SPACE OF 1/16 INCH OR GREATER OCCURS. SHIM(S) SHALL BE CONSTRUCTED OF HIGH DENSITY PLASTIC OR BETTER.
- MINIMUM EMBEDMENT AND EDGE DISTANCE EXCLUDE WALL FINISHES, INCLUDING BUT NOT LIMITED TO STUCCO, FOAM, BRICK VENEER, AND SIDING.
- INSTALLATION ANCHORS AND ASSOCIATED HARDWARE MUST BE MADE OF CORROSION RESISTANT MATERIAL OR HAVE A CORROSION RESISTANT COATING.
- FOR HOLLOW BLOCK AND GROUT FILLED BLOCK, DO NOT INSTALL INSTALLATION ANCHORS INTO MORTAR JOINTS. EDGE DISTANCE IS MEASURED FROM FREE EDGE OF BLOCK OR EDGE OF MORTAR JOINT INTO FACE SHELL OF BLOCK.
- INSTALLATION ANCHORS SHALL BE INSTALLED IN ACCORDANCE WITH ANCHOR MANUFACTURER'S INSTALLATION INSTRUCTIONS, AND ANCHORS SHALL NOT BE USED IN SUBSTRATES WITH STRENGTHS LESS THAN THE MINIMUM STRENGTH SPECIFIED BY THE ANCHOR MANUFACTURER.

| ANCHOR SCHEDULE |   |                 |  |                    |
|-----------------|---|-----------------|--|--------------------|
| METHOD          | SUBSTRATE   | ANCHOR TYPE     | MIN. EMBEDMENT                               | MIN. EDGE DISTANCE |
| THROUGH FRAME   | WOOD:<br>MIN. S.G. = 0.55   | #14 WOOD SCREW  | 1.5"   | 0.75"              |
|                 | METAL:<br>STEEL MIN. 18 GAUGE<br>(MIN. Fy = 36 KSI)<br>ALUM. MIN. 1/8" THK.<br>(MIN. 6063-T5) | 1/4" TEK SCREW  | 3 THREADS MIN<br>PENETRATION<br>BEYOND METAL | 0.5"               |
|                 | CONCRETE:<br>MIN. f'c = 3000 psi  | 1/4" ITW TAPCON | 1.75"  | 2.5"               |
|                 | MASONRY:<br>CMU PER ASTM C90<br>MIN. 2000 PSI   | 1/4" ITW TAPCON | 1.75"  | 3"                 |

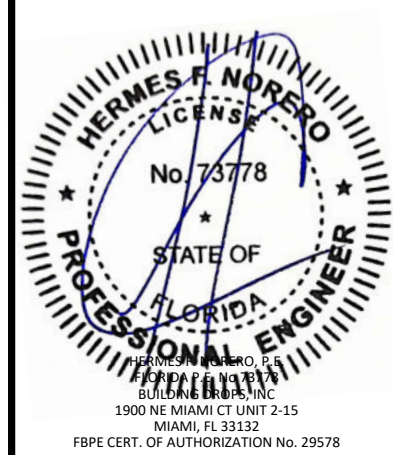
TITLE:  
EURO C5 FOLDING DOOR SYSTEM  
(HVHZ) (IMPACT)  
ANCHOR DETAILS

PREPARED BY:  
BUILDING DROPS, INC.  
1900 NE MIAMI CT UNIT 2-15  
MIAMI, FL 33132  
PH: (954)399-8478  
FAX: (954)744-4738  
WEB: www.buildingdrops.com



| REMARKS | BY | DATE |
|---------|----|------|
|         |    |      |
|         |    |      |
|         |    |      |

THE INSTALLATION DETAILS DESCRIBED HEREIN ARE GENERIC AND MAY NOT REFLECT ACTUAL CONDITIONS FOR A SPECIFIC SITE. IF SITE CONDITIONS CAUSE INSTALLATION TO DEVIATE FROM THE REQUIREMENTS DETAILED HEREIN, A LICENSED ENGINEER OR ARCHITECT SHALL PREPARE SITE SPECIFIC DOCUMENTS FOR USE WITH THIS DOCUMENT.



FL #:  
**FL27023**

DATE:  
**12.07.23**

DWG. BY:  
**DI**

CHK. BY:  
**SM**

SCALE:  
**NTS**

DWG. #:  
**EWS036**

SHEET  
**10**  
OF 10